

Evaporative Cooling System for Hogs



Why Just Cool Your House When You Can “TURBO-COOL” It?

Chore-Time's TURBO-COOL™ Cooling System Features One-Piece Trough

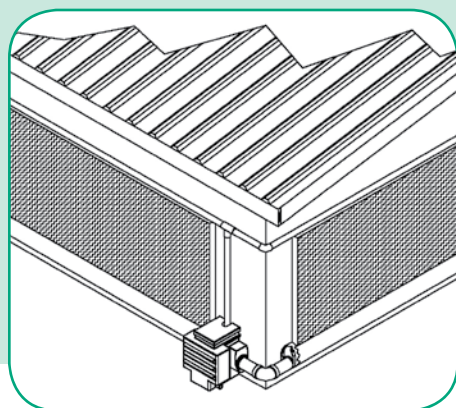
- One-piece trough is made of heavy-duty, ultraviolet-resistant polypropylene and has no problematic joints where leaks and breaks tend to occur in others' systems.
- Fabric-reinforced trough material is proven under the harshest conditions and provides self-contained water storage.
- Unlike competitors' rigid plastic troughs, Chore-Time's seamless trough design is easy to install, saving time and expense on your new construction or retrofit project.



The Chore-Time TURBO-COOL™ Evaporative Cooling System's one-piece trough is easy to install – no joints to glue and dry, and no holes to be cut. Sump includes reinforcing ribs and drain plug for seasonal service.

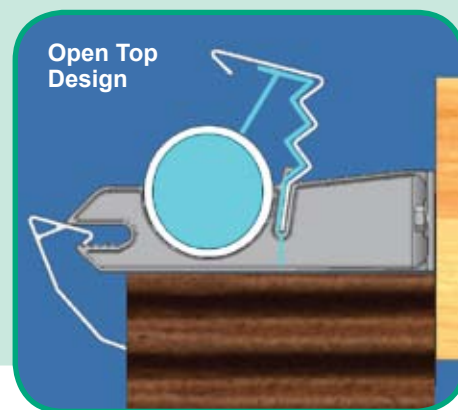
Open Top Design

- Unique, large 2-inch (5-cm) pipe and 5/32-inch (4-mm) water distribution holes.
- Uniform water distribution from one end up to 75 feet (22.8 m), or 110 feet (33.5 m) with a center-mounted sump.
- See water jets and check water pressure easily.
- Easy access to pipe for cleaning.
- Pipe includes removable end plugs for cleaning.
- System includes rubber water-containment seals at system ends.



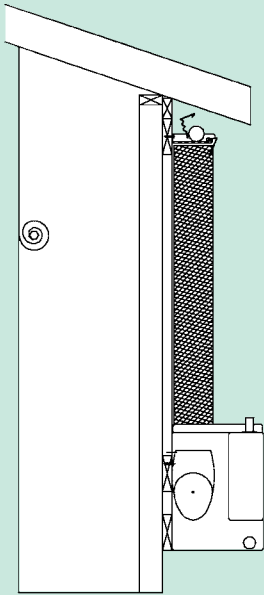
90-Degree Around-the-Corner Kit Now Available

- Especially handy for wider house applications.
- Sump must be on the side with the longest pad length.



Evaporative Cooling System for Hogs

CHORE-TIME®



High-Performance 6-Inch (152 mm) Cooling Pad

- Standard 45/15 fluting and 12-inch (30.5-cm) pad width.
- Pad heights: 2, 3, 4, 5 or 6 feet (0.5, 0.9, 1.2, 1.5 or 1.8 meters).
- Standard pad includes black protective coating. Protective bottom coating is optional.

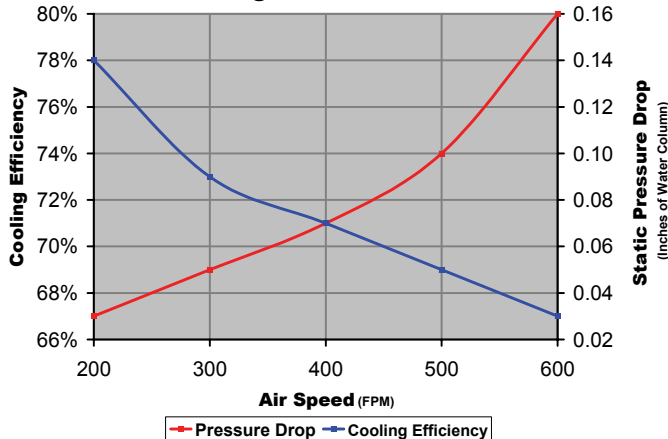
Mount Chore-Time's **TURBO-COOL™** Evaporative Cooling System on a separate exterior wall outside of the tunnel curtain.



Well-Designed, Innovative One-Piece Sump Tank

- Includes reinforcing ribs for greater strength and durability, and a drain plug for seasonal service.
- Reliable automatic float valve matches water supply to demand and helps maintain consistent pad wetting.
- Specially engineered to hold submersible pump and low-water safety switch. (Switch is included in standard system.)
- Clever design allows tank to be mounted at either end or in middle of system.
- Convenient bleed-off valve and easy access shut-off.

Typical High-Efficiency 6-Inch (152-mm) Cooling Pad Performance



Data provided by General Shelters.
Similar performance applies to other pads as well.

More Precise Cooling Control

Use the pulsing option of Chore-Time's **CHORE-TRONICS®** Control to wet just part of the pad for more precise control of cooling. Reduces rapid temperature fluctuations.



Designed for Easy Pad Maintenance

- Full-width plastic support tray under pads improves pad support and extends pad life.
- Pads are easy to remove for cleaning without hardware or tools.
- Trough provides self-contained water storage.



Heavy-Duty Submersible Pump

- Cast-iron motor housing.
- Upper & lower ball bearings.
- 230-volt operation.



CHORE-TIME®

PART OF PIGTEK
PIG EQUIPMENT GROUP
A DIVISION OF CTB, INC.



Hog Production Systems • 800.341.1039 or 574.658.4101
www.choretimehog.com • E-Mail: hog@choretime.com