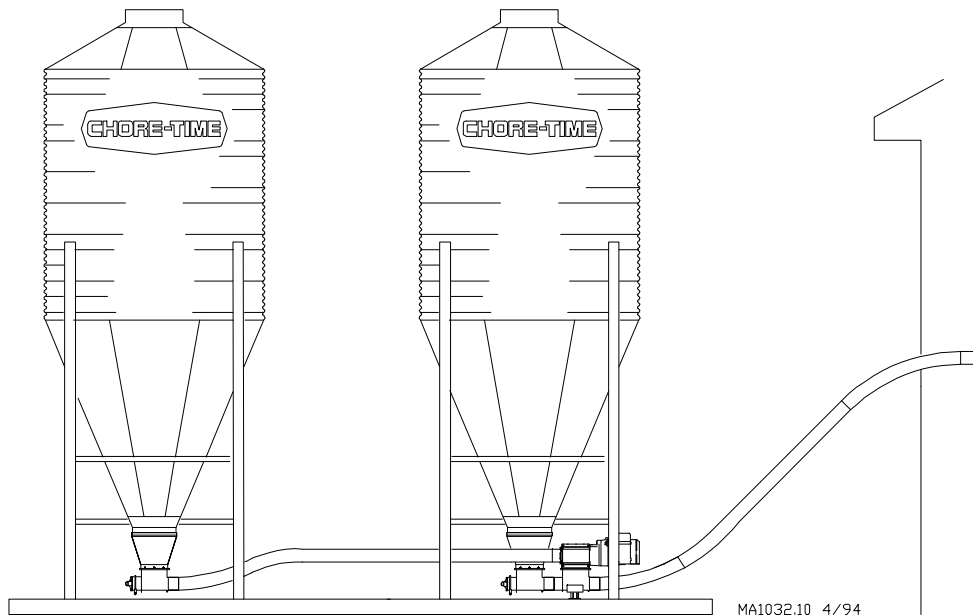


Two Motor Tandem Installation Instructions

for

Model 108 FLEX-AUGER

Feed Delivery Systems



WARRANTY INFORMATION

Chore-Time equipment warrants each new product manufactured by it to be free from defects in material or workmanship for one year from the date of initial installation by the original purchaser. If such a defect is found by Chore-Time to exist within the one year period, Chore-Time will, at its option, (a) repair or replace such product free of charge, F.O.B. the factory of manufacture, or (b) refund to the original purchaser the original purchase price, in lieu of such repair or replacement.

Additional extended warranties are herewith provided to the original purchaser as follows:

1. RLX Fans, less motors, for three years from date of installation.
- 2.* Poultry feeder pans that become unusable within five years from date of installation. Warranty prorated after three years usage.
3. MEAL-TIME® Hog Feeder pans that become unusable within five years of installation.
4. Rotating centerless augers, excluding applications involving High Moisture Corn (exceeding 18%), for ten years from date of installation. Note: MULTIFLO® and applications involving High Moisture Corn are subject to a one year warranty.
5. Chore-Time manufactured roll-formed steel auger tubes for ten years from date of installation.
- 6.* Laying cages that become unusable within ten years. Warranty prorated after three years usage.
- 7.* ULTRAFLO® Auger and ULTRAFLO® Feed Trough (except ULTRAFLO® Trough Liners) are warranted for a period of five (5) years from date of original purchase against repeated breakage of the auger or wear-through of the feed trough.

Conditions and limitations:

1. The product must be installed and operated in accordance with instructions published by Chore-Time or warranty will be void.
2. Warranty is void if all components of a system are not supplied by Chore-Time.
3. This product must be purchased from and installed by an authorized Chore-Time dealer or certified representative thereof, or the warranty will be void.
4. Malfunctions or failure resulting from misuse, abuse, negligence, alteration, accident, or lack of proper maintenance shall not be considered defects under this warranty.
5. This warranty applies only to systems for the care of poultry and livestock. Other applications in industry or commerce are not covered by this warranty.

Chore-Time shall not be liable for any consequential or special damage which any purchaser may suffer or claim to have suffered as a result of any defect in the product. "Consequential" or "special damages" as used herein include, but are not limited to, lost or damaged products or goods, costs of transportation, lost sales, lost orders, lost income, increased overhead, labor and incidental costs and operational inefficiencies.

THIS WARRANTY CONSTITUTES CHORE-TIME'S ENTIRE AND SOLE WARRANTY AND CHORE-TIME EXPRESSLY DISCLAIMS ANY AND ALL OTHER WARRANTIES, INCLUDING, BUT NOT LIMITED TO, EXPRESS AND IMPLIED WARRANTIES AS TO MERCHANTABILITY, FITNESS FOR PARTICULAR PURPOSE SOLD AND DESCRIPTION OR QUALITY OF THE PRODUCT FURNISHED HEREUNDER.

Any exceptions to this warranty must be authorized in writing by an officer of the company. Chore-Time reserves the right to change models and specifications at any time without notice or obligation to improve previous models.

*See separate "WARRANTY ADDITION" as to these products

CHORE-TIME EQUIPMENT, A Division of CTB, Inc.
P.O. Box 2000, Milford, Indiana 46542-2000 U.S.A.

SAFETY INFORMATION

Caution, Warning and Danger Decals have been placed on the equipment to warn of potentially dangerous situations. Care should be taken to keep this information intact and easy to read at all times. Replace missing or damaged safety signs.

Using the equipment for purposes other than specified in this manual may cause personal injury or damage to the equipment.

Safety–Alert Symbol

This is a safety–alert symbol. When you see this symbol on your equipment, be alert to the potential for personal injury. Chore-Time equipment is designed to be installed and operated as safely as possible...however, hazards do exist.



Signal Words

Signal words are used in conjunction with the safety–alert symbol to identify the severity of the warning.

DANGER indicates an imminently hazardous situation which, if not avoided, WILL result in death or serious injury.

WARNING indicates a potentially hazardous situation which, if not avoided, COULD result in death or serious injury.

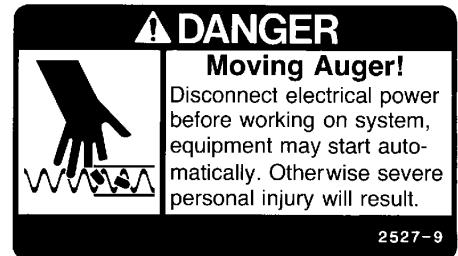
CAUTION indicates a hazardous situation which, if not avoided, MAY result in minor or moderate injury.



DANGER—MOVING AUGER

This decal is placed on the Clean-Out Cover of the FLEX-AUGER Control Unit.

Severe personal injury will result, if the electrical power is not disconnected, prior to servicing the equipment.



DANGER—ELECTRICAL HAZARD

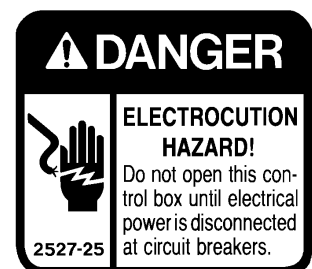
Disconnect electrical power before inspecting or servicing equipment unless maintenance instructions specifically state otherwise.

Ground all electrical equipment for safety.

All electrical wiring must be done by a qualified electrician in accordance with local and national electric codes.

Ground all non-current carrying metal parts to guard against electrical shock.

With the exception of motor overload protection, electrical disconnects and over current protection are not supplied with the equipment.

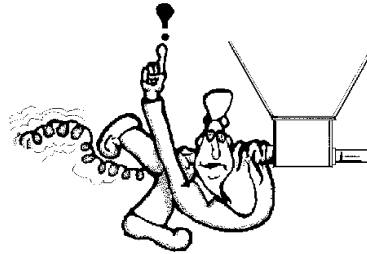


SAFETY INFORMATION



CAUTION

Use caution when working with the Auger--springing auger may cause personal injury.



SUPPORT INFORMATION

Using this equipment for any other purpose or in a way not within the operating recommendations specified in this manual will void the warranty and may cause personal injury and/or death.

This manual is designed to provide installation, wiring, and parts listing information.

IMPORTANT: CE stands for *certified Europe*. It is a standard which equipment must meet or exceed in order to be sold in Europe. CE provides a benchmark for safety and manufacturing issues. CE is required only on equipment sold in Europe.



Chore-Time Equipment recognizes CE Mark and pursues compliance in all applicable products.

Refer to Chore-Time Model 108 Installation Manual (MA1032) for additional installation, operation, and parts listing information.

Model 108 Two Motor Tandem Systems

PLAN CAREFULLY BEFORE BEGINNING TO INSTALL THE MODEL 108 TWO-MOTOR TANDEM SYSTEM. PLACEMENT OF BINS IS IMPORTANT FOR PROPER INSTALLATION OF THE TWO-MOTOR TANDEM SYSTEM.

Pour one level concrete pad for BOTH bins. Pad dimensions and specifications must meet bin manufacturer's requirements. Position the bins so that legs will not interfere with the Flex-Auger system installation.

Two-Motor Model 108 Tandem systems may have more than two bins connected together, but additional components are required.

Bin Location

Locate the bins as illustrated in Figure 1. Note that bins may be installed in-line or forming a 90 degree angle with the system.

Boot Installation

Upper boot installation is the same for both the terminal and intermediate bins. Both bins require Straight-Out Boots with the Two-Motor Tandem System. Install the boots as described in this manual.

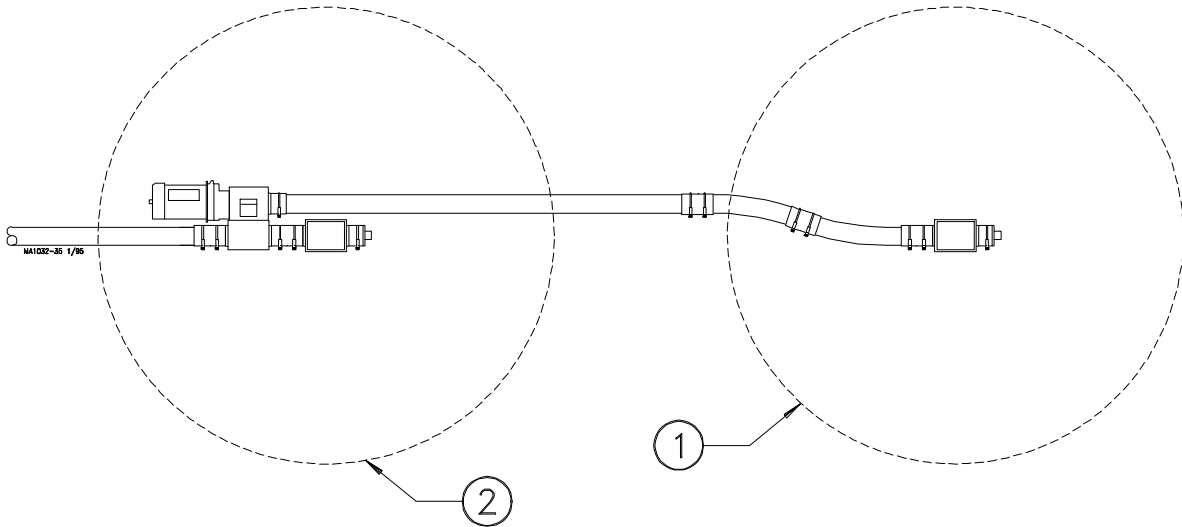


Figure 1.

Key	Description
1	Terminal Bin
2	Intermediate Bin

Connecting the Bins

Assemble your Two Motor Tandem components as shown in Figure 2 or 3.

Steel systems; refer to Figure 2.

PVC systems; refer to Figure 3.

1. Secure the Connecting Boot directly to the Intermediate Bin Boot using a Tube Connector w/clamps.
2. Install the Boot Support Assembly under the Connecting Boot to provide adequate support.
3. Install an Adapter Plate on the bottom of the Control Unit, using the hardware provided.
4. The 90° Elbow must be cut into (2) 22-1/2° Elbows. Refer to the FLEX-AUGER Installation Manual (MA1032) for elbow cutting information.
5. Assemble the 22-1/2° elbows, straight pipe, Tube Connectors, Tube Inserts, PVC Couplers, and clamps between the Terminal Bin Boot and the Connecting Boot.
6. Install and stretch the auger as specified in the Model 108 FLEX-AUGER Fill System Manual (MA1032).
7. Wire the Two-Motor Tandem system as specified in the wiring diagrams.

Model 108 Steel Two-Motor Tandem System

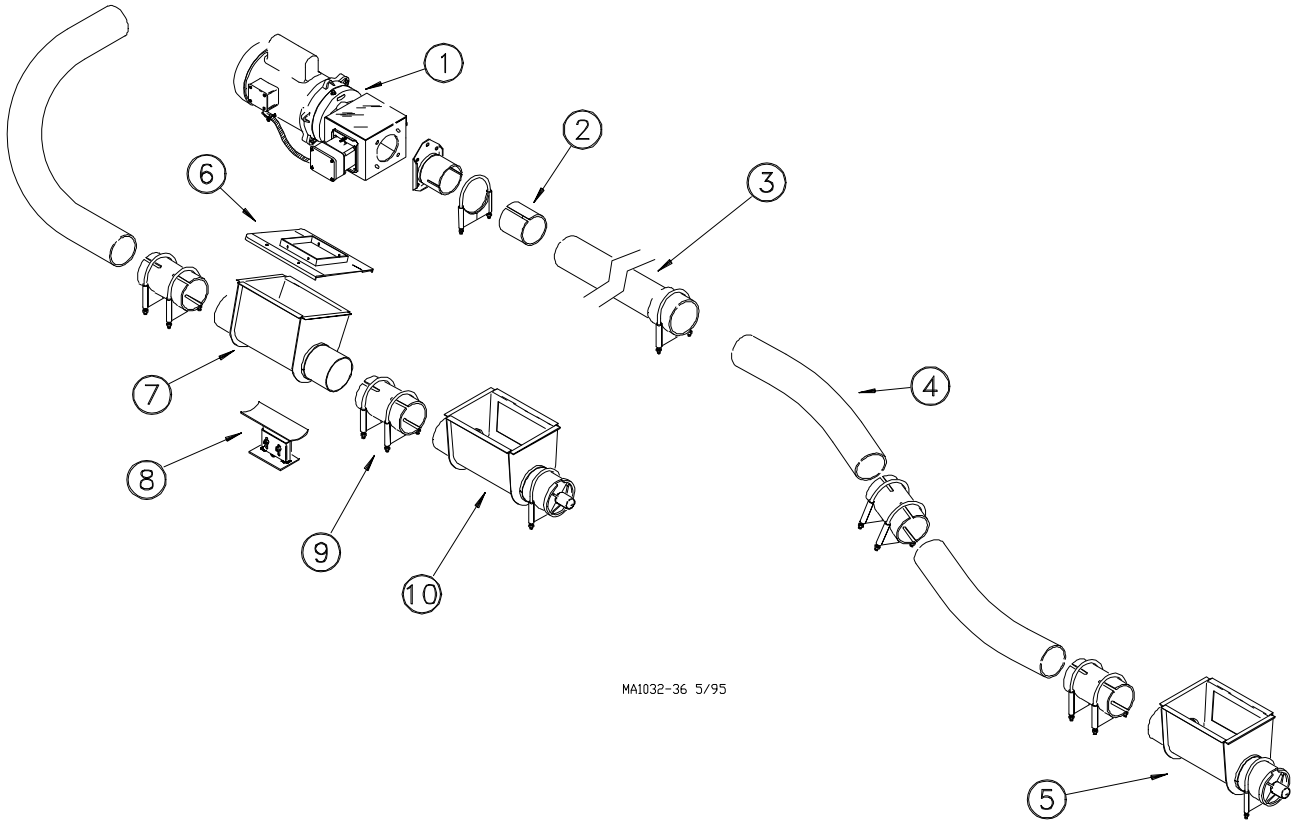


Figure 2.

Key	Description
1	Power Unit/Control Unit
2	Tube Insert
3	Auger Tube
4	22-1/2° Elbow
5	Terminal Bin Boot
6	Adapter Plate
7	Connecting Boot
8	Boot Support Assembly
9	Tube Connector w/clamps
10	Intermediate Bin Boot

Model 108 PVC Two-Motor Tandem System

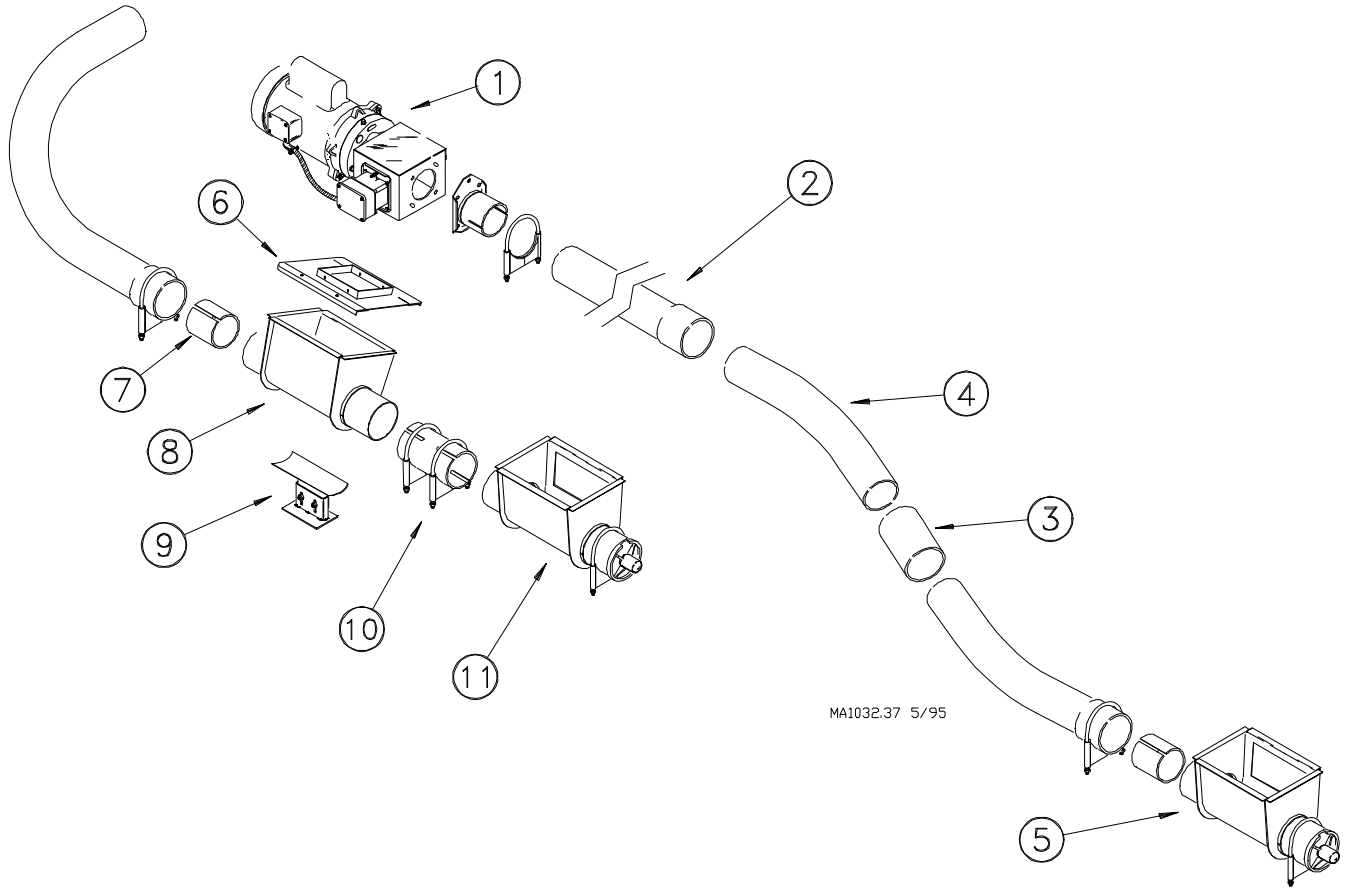
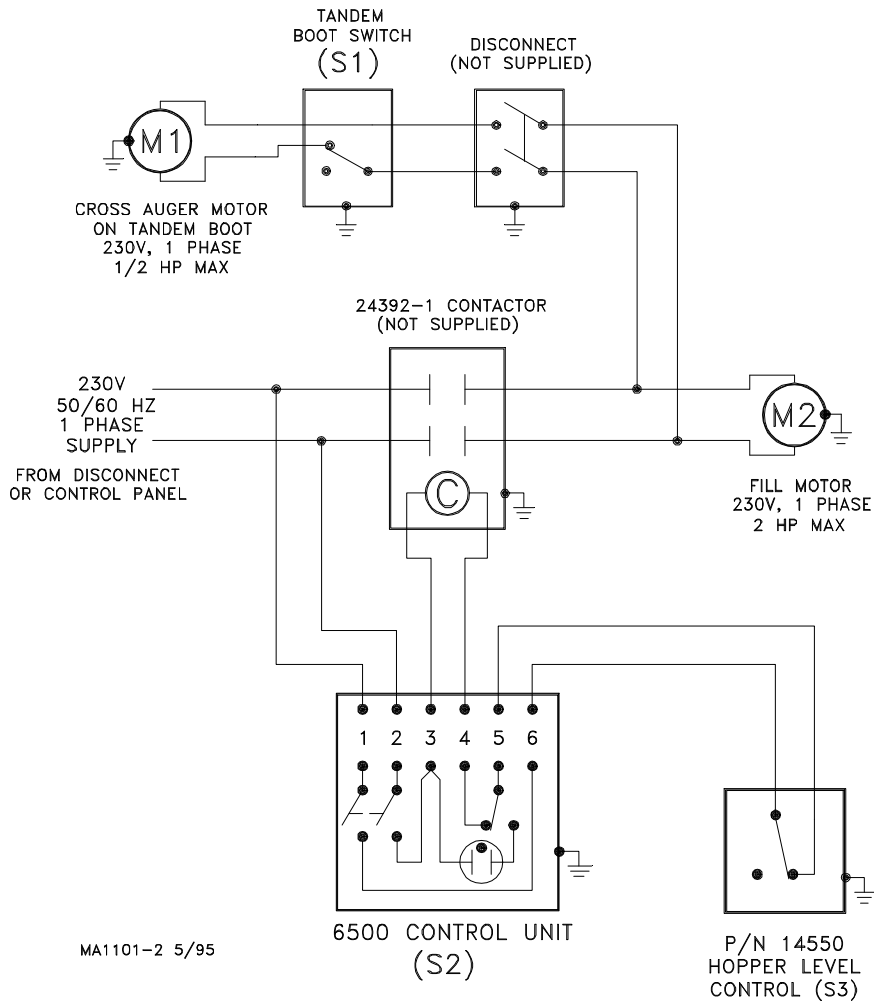
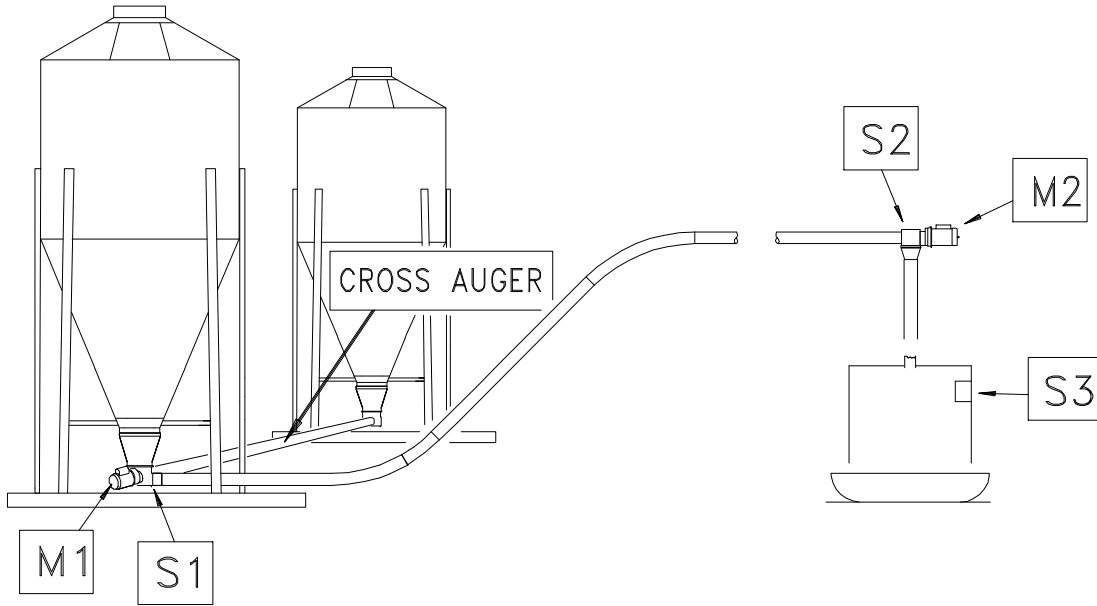


Figure 3.

Key	Description
1	Power Unit/Control Unit
2	Auger Tube
3	PVC Coupler
4	22-1/2° Elbow
5	Terminal Bin Boot
6	Adapter Plate
7	Tube Insert
8	Connecting Boot
9	Boot Support Assembly
10	Tube Connector w/clamps
11	Intermediate Bin Boot

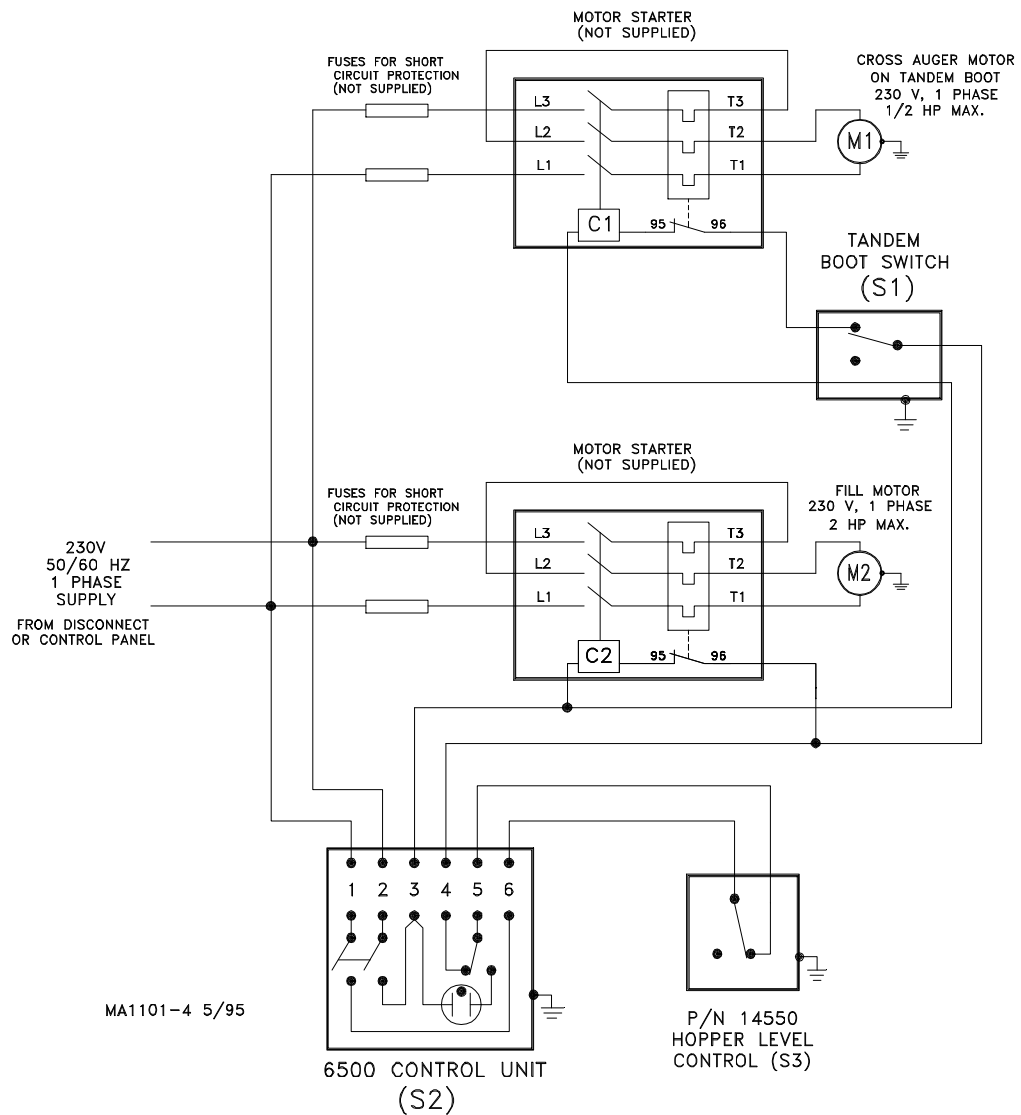
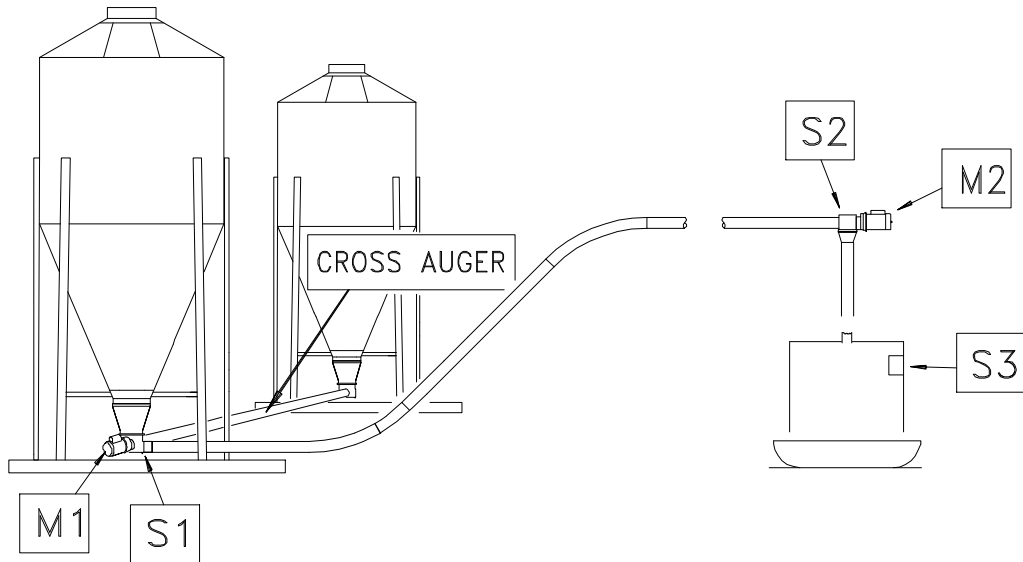
Two Motor Tandem System Wiring Diagram

(Single Phase, 230 V, 50/60 Hz, w/o Motor Starters)



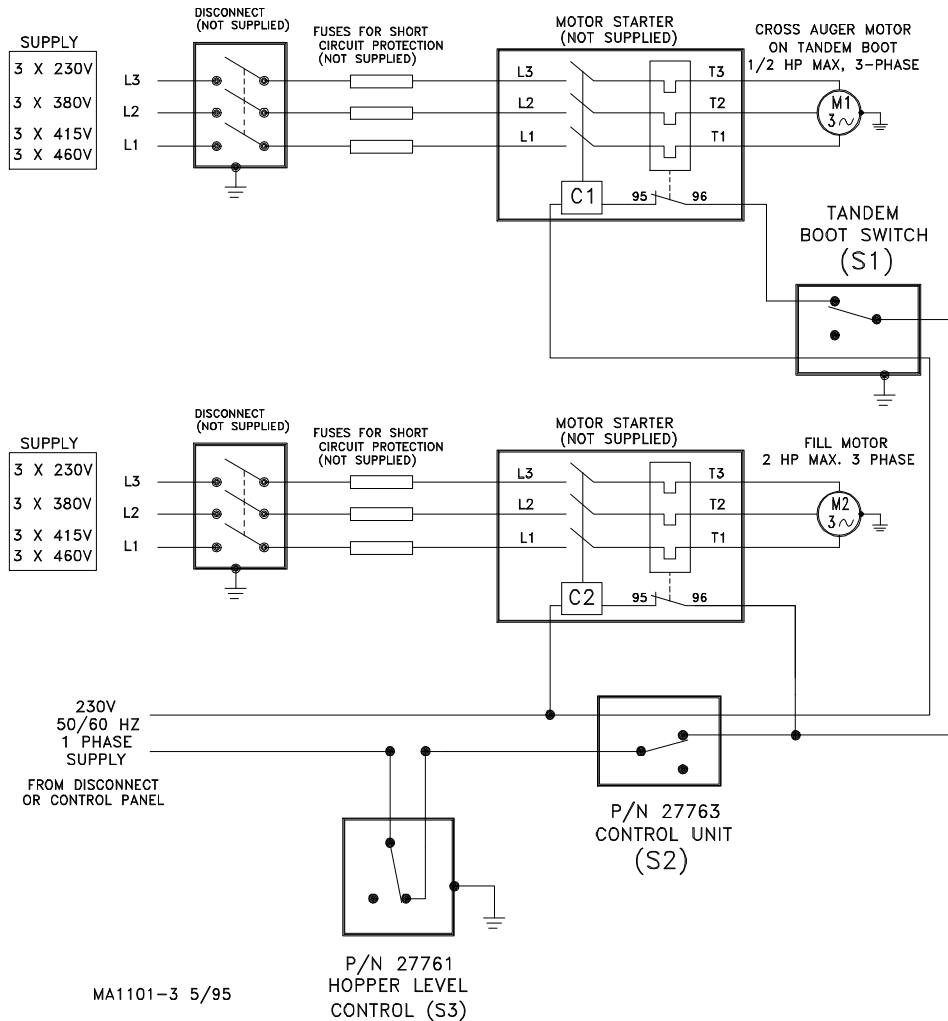
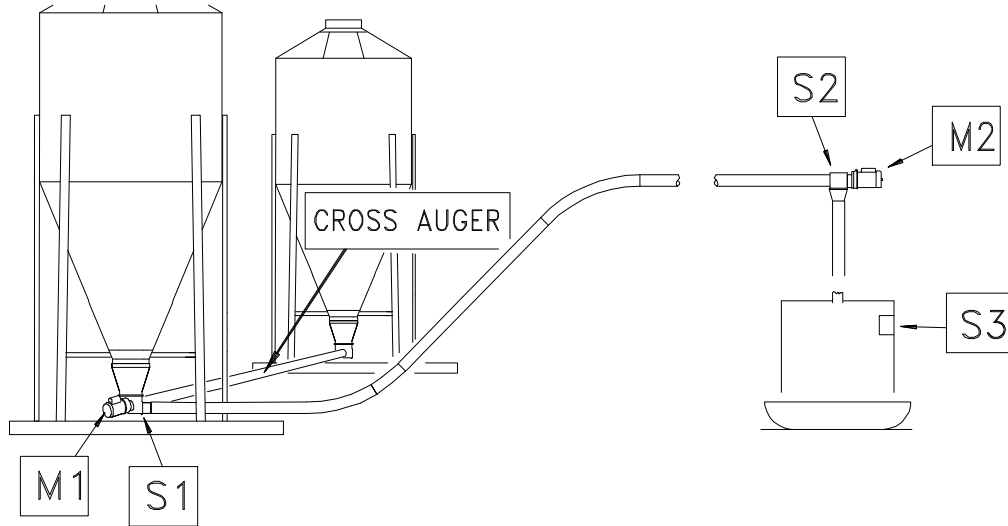
Two Motor Tandem System Wiring Diagram

(Single Phase, 230 V, 50/60 Hz, Single Phase, w/ Motor Starters)



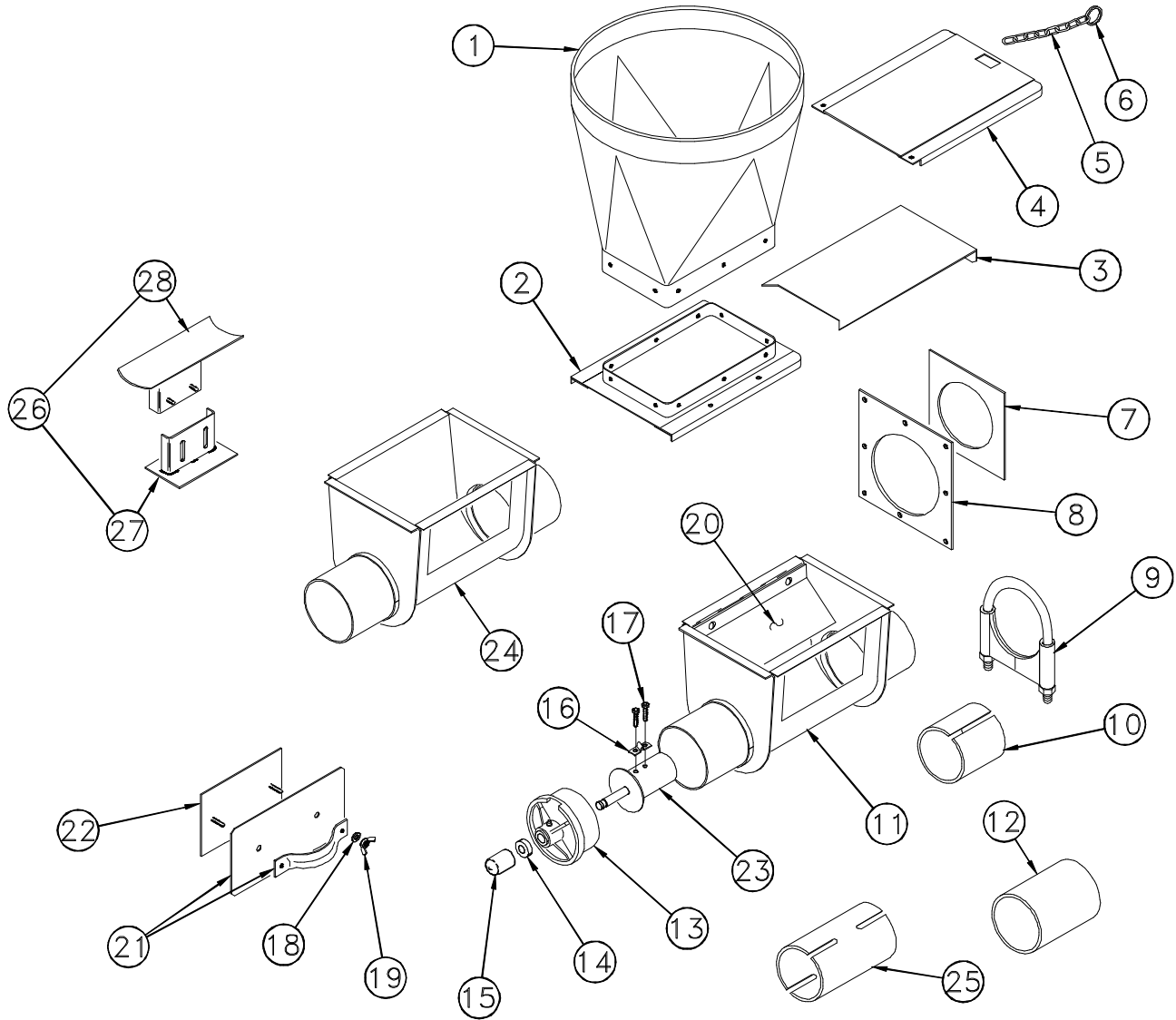
Two Motor Tandem System Wiring Diagram

(Three Phase, 230/380/415/460 V, 50/60 Hz, w/ Motor Starters)



MA1101-3 5/95

Two Motor Tandem Boot Parts Listing



MA1101-1 5/95

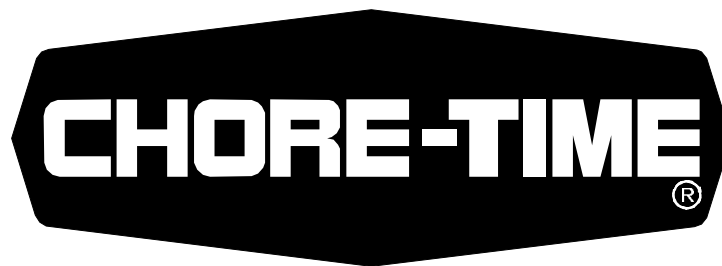
Key	Description	Part No.	Key	Description	Part No.
1	Straight-Out Upper Boot	6093	20	Baffle	14239
2	Transfer Plate	4359	21	Cover Weldment	6301
3	Slide	4357	22	Back Plate Assembly	6298
4	Slide Shield	4876	23	Anchor Weldment	34369
5	Chain	2128-1	24	Straight-Thru Boot Body Weld.	30385
6	Ring	1706	25	Model 108 Connector (steel sys)	30277
7	Neoprene Seal	34334	26	Boot Support Assembly	9987
8	Seal Ring	8117	27	Support Weldment	13044
9	Tube Clamp (for STEEL systems)	34338	28	Shoe Weldment	13047
10	Tube Insert	34337	--	Transfer Plate Assembly	7856
11	Boot Body Weldment	30386			
12	Tube Connector (for PVC syst.)	34557			
13	Bearing Cap Assembly	30314			
14	5/8" Set Collar	1386			
15	Safety Cap	29703			
16	Anchor Clamp	7703			
17	5/16-18x7/8" Sock. Hd. C.S.	6850-1			
18	Sealing Washer	8491			
19	5/16-18 Wingnut	2146			

Note: Items #2 through #24 make up the Lower Boot Assembly (part no. 34341).

Items #2 through #6 make up the Slide and Transfer Kit (part no. 6284).

The Model 108 Connector (item #25) may be ordered with (2) Tube Clamps (part no. 34338) as a kit under part no. 34419.

***THANK-YOU for purchasing a Chore-Time
Model 108 Two Motor Tandem System.***



Contact your nearby Chore-Time distributor or representative for additional parts and information.
Chore-Time Equipment, A Division of CTB, Inc.
P.O. Box 2000, Milford, Indiana 46542-2000 U.S.A.