

Proximity Boot Switch

(Part No. 37553)

Introduction:

The Proximity Boot Switch Assembly is designed to sense presents of feed in the Upper Boot and stop the fill system when feed is not present. This will prevent the fill system from running for long periods of time empty.

The Proximity Boot Switch may be installed in Straight-Out and 30° Upper Boots.

Installation:

The arrows in Figure 1 show the recommended switch locations.

Figure 2 shows the recommended switch hole location in the side of a Straight-Out Upper Boot.

If the switch is to be mounted in a front or back of the Upper Boot, locate it similarly. The Switch must be located so that it can be mounted flat against the Upper Boot and secured with four screws.

Drill the 1-1/4" (3.18 cm) hole in the boot using a spade bit or hole saw (not supplied).

Position the Switch Assembly against the Upper Boot with the Proximity Sensor inserted in the hole.

Mark the four mount hole locations, remove the Switch Assembly, and drill the holes using a 7/32" (5.5 mm) bit (not supplied). See Figure 3.

Insert four 10-24 x 5/8" screws from inside the Upper Boot.

Caulk the face of the Plate Weldment lightly to protect the sensing end of the Proximity Switch from moisture. See Figure 4.

Position the Switch Assembly against the Upper Boot and secure in place, using the four screws and lock nuts provided. See Figure 5.

Note: Make sure the hardware is installed with the nuts to the **outside**.

Wire the Proximity Boot Switch as shown in Figure 6.

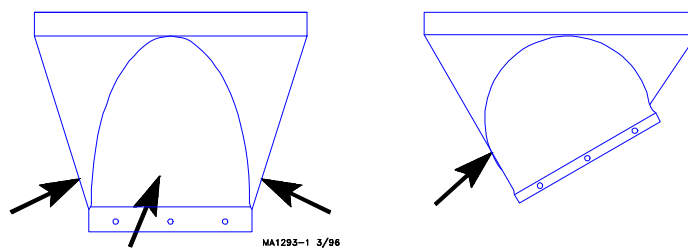
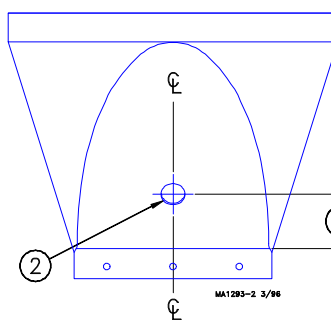
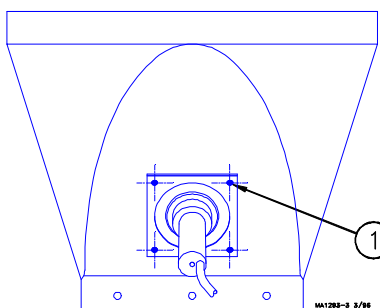


Figure 1. Recommended Switch Location Diagram



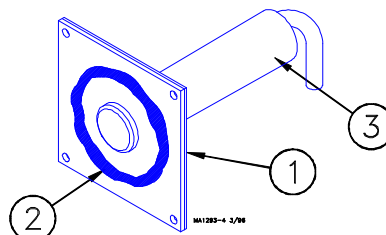
Item	Description
1	3" (7.6 cm)
2	1-1/4" (3.18 cm) Hole

Figure 2. Switch Hole Location



Item	Description
1	Mark and drill four 7/32" (5.5 mm) Mounting Holes

Figure 3. Mounting Hole Locations



Item	Description
1	Plate Weldment
2	Caulk (not supplied)
3	Proximity Switch

Figure 4. Caulking the Plate Weldment

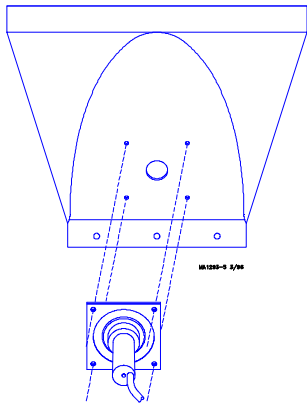


Figure 5. Installing the Switch Assembly

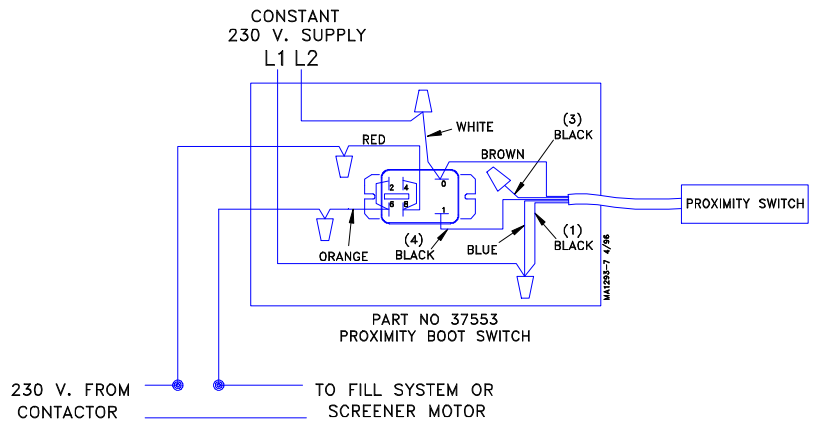
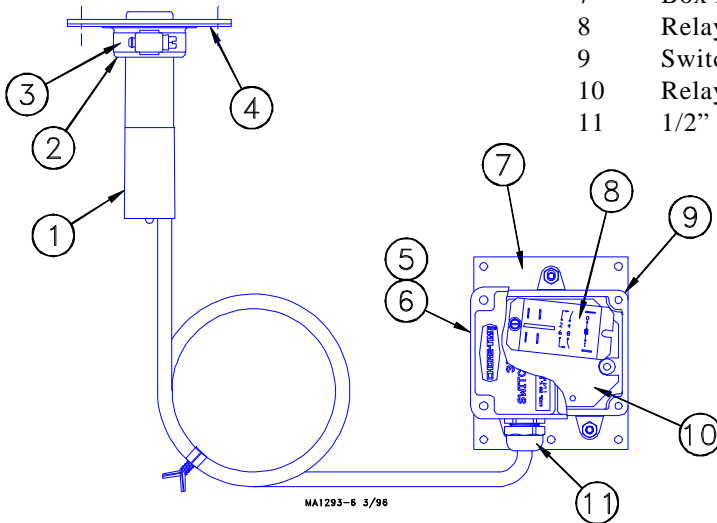


Figure 6. Wiring the Proximity Boot Switch

Proximity Upper Boot Switch (Part No. 37553)

Item	Description	Part No.
1	Proximity Switch Assembly	35197
2	Proximity Plate Weldment	34758
3	Adjustable Clamp	3527
4	Plate Window	7842
5	Switch Box Cover	6776
6	Gasket	6777
7	Box Plate	24321
8	Relay	34733
9	Switch Box	24702
10	Relay Mount Plate	28701
11	1/2" Liquid Tight Connector	23779



Contact your nearby CHORE-TIME distributor or representative for additional parts or information.

Chore-Time equipment, Inc.
P.O. Box 2000
Milford, Indiana 46542-2000
Phone: 219-658-4101

Printed in the U.S.A.