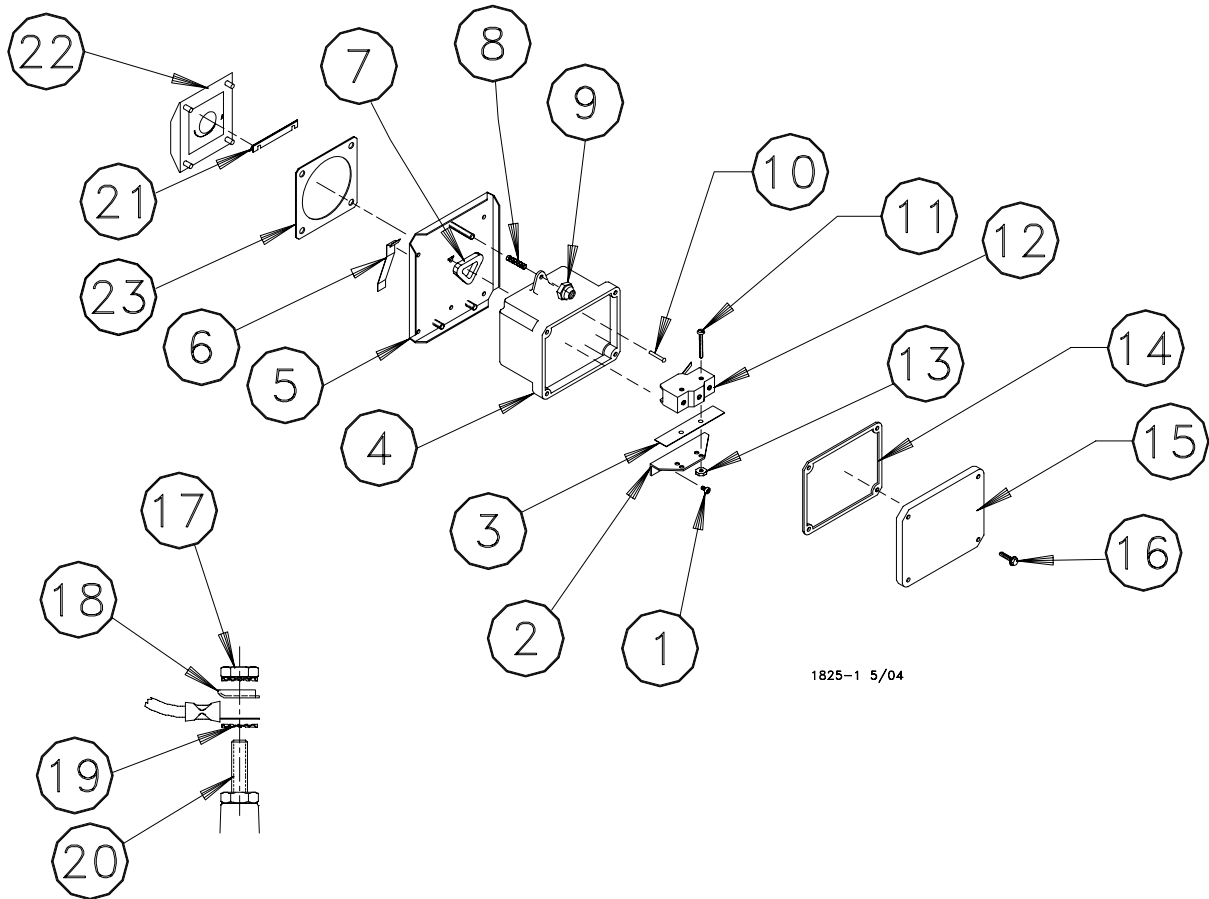


## Switch Adjustment Procedure

The 7840 Switch Assembly needs to be adjusted after installation. Adjustment is made by turning Item 9 (10-32 Lock nut) as follows. See Parts List for Item 9.

- Turn the Adjustment nut counter-clockwise until the switch clicks.
- Turn the adjustment nut clockwise until the switch clicks.
- Turn the Adjustment nut counter-clockwise 3/4 of a turn.

## Parts List:



1825-1 5/04

Detail of Grounding Post

Item	Description	Part No.
1	#6 SFTP Screw	46011
2	Switch Bracket	7068
3	Switch Insulation	1907-5
4	Switch Box	7841
5	Mounting Plate	7908
6	Paddle	7896
7	Gasket	6968-1
8	Spring	6972
9	#10-32 Lock Nut	6963
10	Rivet	8757
11	#6-32 x 7/8 Pan HD Screw	1921

Item	Description	Part No.
12	SPD Switch Actuator	46091
13	#6-32 Hex Nut	771
14	Gasket	6777
15	Switch Box Cover	6776
16	Twin Helix Screw	6980
17	#10-32 Keps Nut	6963
18	Washer Cup	5775
19	#10 Star Washer	305
20	10-32 Stud	7007
**21	Deflector Shield	28281
**22	Diaphragm Assembly	7900
**23	Seal	4873

\*\* These Items are not part of a 7840 Switch Assembly but may be ordered and used in various applications.