



# Hopper Level Control

## Part Number 2912

### Introduction

The 2912 hopper level control is designed for use with any conveying system that carries free flowing feed. The control automatically starts and stops the fill system as the feed level against the paddle changes.

The control may be used with or without the high differential shield. The shield increases the feed differential of the control by approximately 5" [127 mm], to reduce short cycling of the delivery system motor.

If the delivery system operates on demand, without a time clock, another hopper may empty faster than the last one. It may be necessary to install a second control in the outer hopper to insure an ample feed supply. Wire the two (2) controls in parallel so either can start the fill system.



Figure 1. Hopper Level Control

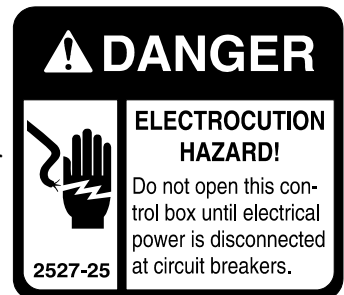
### Installation



**DANGER:** Always disconnect power to the system before inspecting, servicing, or maintaining the equipment. Failure to disconnect power may cause injury or death.

Ground all electrical equipment for safety. Ground all non-current carrying metal parts to guard against electrical shock. Electrical disconnects and over current protection are not supplied with the equipment.

*All electrical wiring must be done by a qualified electrician in accordance with local and national codes.*



Install the control in the last hopper which is located at the end of the delivery system. Mount it low so the feed level will be lower in the hopper than in the other hoppers. The lower feed level will cause the system to start frequently enough to maintain feed in every hopper.

Position the feed drop tube to deliver feed into the center of the hopper in front of the paddle. Position the drop tubes in the other hoppers high so they fill up but do not overflow.

Mount the hopper level control vertically to assure feed movement of the switch paddle, **see Figure 1**. Drill two (2) 9/32" [7 mm] holes at the desired location. Use the bracket as a guide to determine the hole spacing. Fasten the bracket in place with the supplied hardware. Install the control in the mounting bracket assembly. The control may be removed for switch adjustment or for house clean out.

### Wiring

The 2912 hopper level control is a single pole - double throw switch with wiring leads connected. The circuit is complete (closed) when there is no feed against the paddle. The circuit is broken (open) when there is feed against the paddle.

Switch rating:

- 15 Amp 125-250 VAC
- 3/4 hp 125 VAC
- 1-1/2 hp 250 VAC

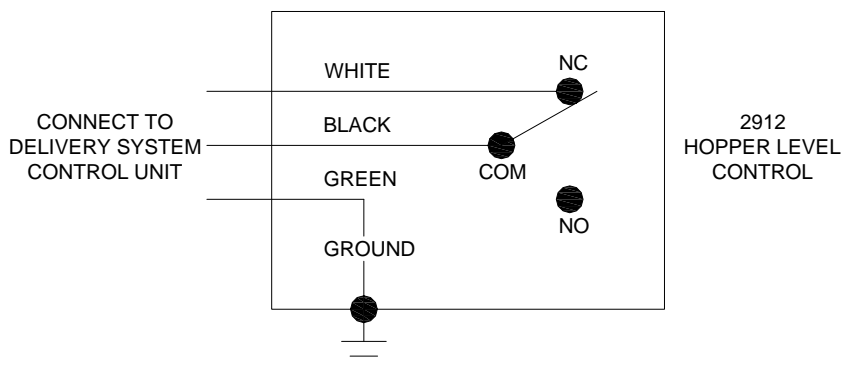


Figure 2. Wiring

Chore-Time Poultry Production Systems, a Division of CTB, Inc.  
P.O. Box 2000 • Milford, Indiana 46542-2000 • U.S.A.  
Phone (574) 658-4101 • Fax (877) 730-8825

## Switch Adjustment

1. Remove the two (2) hex bolts from bracket, see Figure 3.
2. Turn hex nut counter-clockwise one (1) complete turn.
3. Turn hex nut clockwise until switch clicks.
4. Turn hex nut counter-clockwise until switch clicks again.
5. Turn hex nut counter-clockwise 1/4 turn.

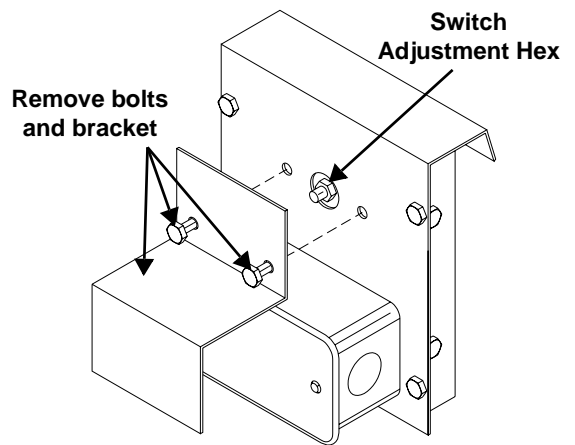
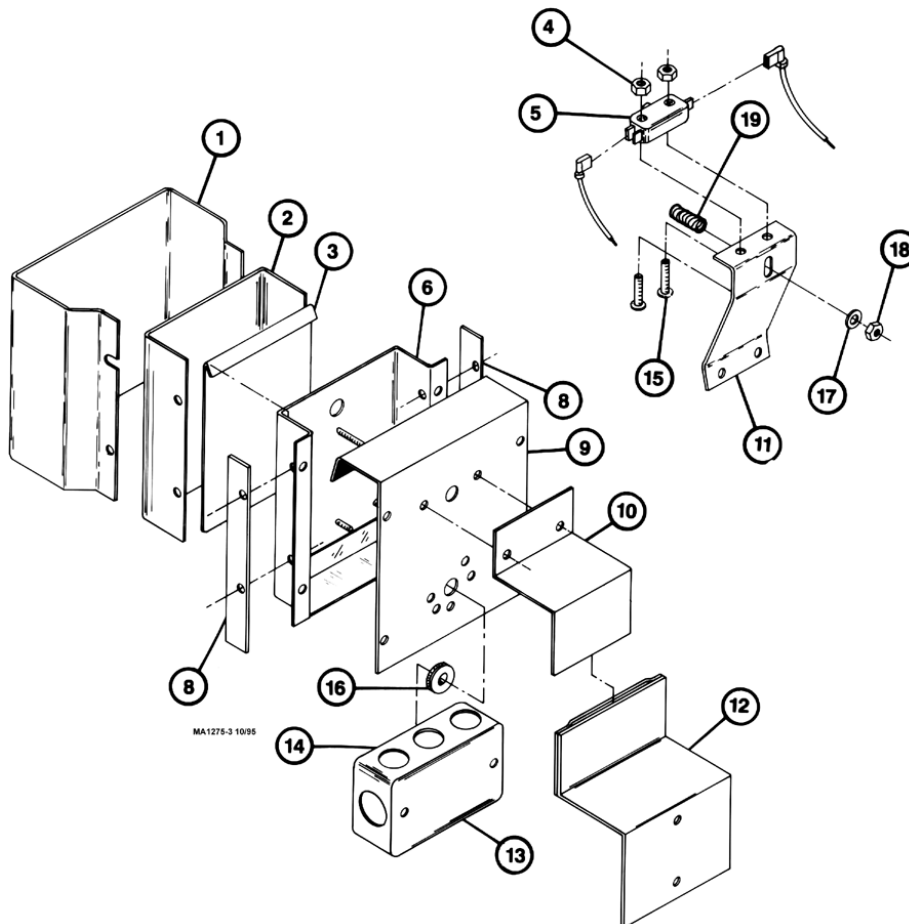


Figure 3. Switch Adjustment

## Parts List 2912



Item	Description	Part No.
1	High Differential Shield	24993
2	Paddle Cover	2703
3	Paddle	2709
4	#6-32 Hex Nut	771
5	SPDT Switch	2702
6	Frame	2711
7	---	---
8	Fabric Retainer	2705
9	Back	2707
10	Mounting Bracket	2703

Item	Description	Part No.
11	Switch Bracket	24991
12	Mounting Bracket Assembly	2911
13	Cover	711
14	Handy Box	1145
15	#6-32 Screw	1921
16	Grommet	24
17	Flat Washer	2955-19
18	#10-32 Crown Lock Nut	6963
19	Spring	24992