



Multi-Lift™ Limit Switch Assembly

Part No. 39464

1. Mount winch to the ceiling, hook up the cable, and wire per instruction MF1288, (MULTI-LIFT™ Winch System Installation Manual).
2. Run MULTI-LIFT™ to pick up feeder and raise to within 3" - 4" of its fully raised position.
3. Mount limit switch assembly to ceiling using (4) 1/4" lag screws provided and attach to the output shaft of Multi-Lift™ using 5/16-18 x 2.50" bolt and 5/16-18 nut. **See Figure 1.**

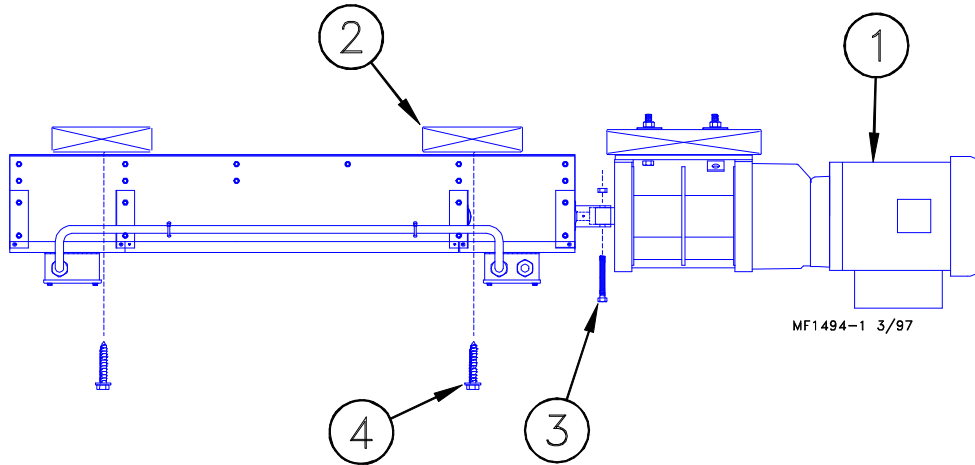


Figure 1. Limit Switch Mounting.

Key Description

- | | |
|---|-------------------------------------|
| 1 | Multi-Lift™ Winch |
| 2 | 2" X 6" Mounting Board |
| 3 | 5/16-18 x 2.5" Bolt and 5/16-18 Nut |
| 4 | 1/4" Lag Screws |

4. Wire per wiring diagram.

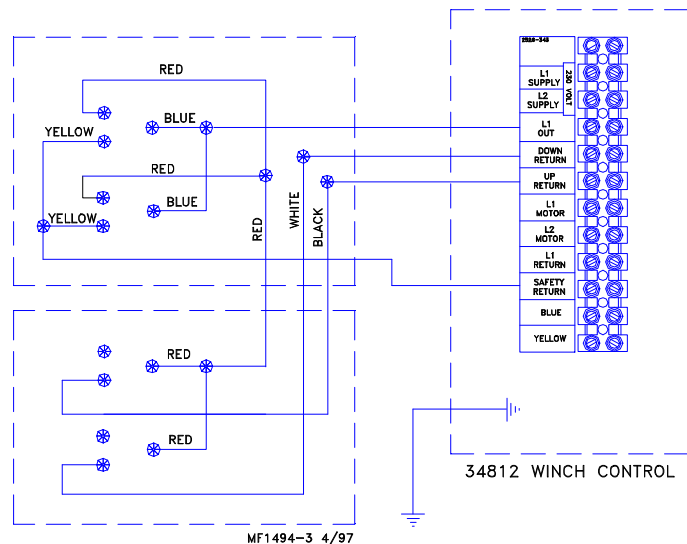
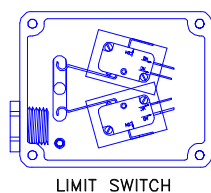
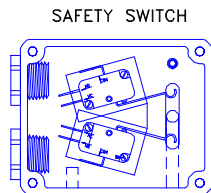
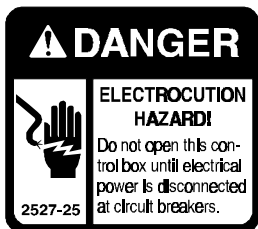


Figure 2. Wiring Diagram.

5. Remove cover.
6. Loosen both set collars in middle. **See Figure 3.**
7. Run Multi-Lift™ to lower feeders to the desired down position.
8. Push limit switch rod (2) toward limit switch box until the switch (3) clicks, hold and tighten that set collar (1) up against block.
9. Leaving the safety switch rod (5) in a relaxed position, move set collar (4) up the block and tighten.
10. Put cover back on.

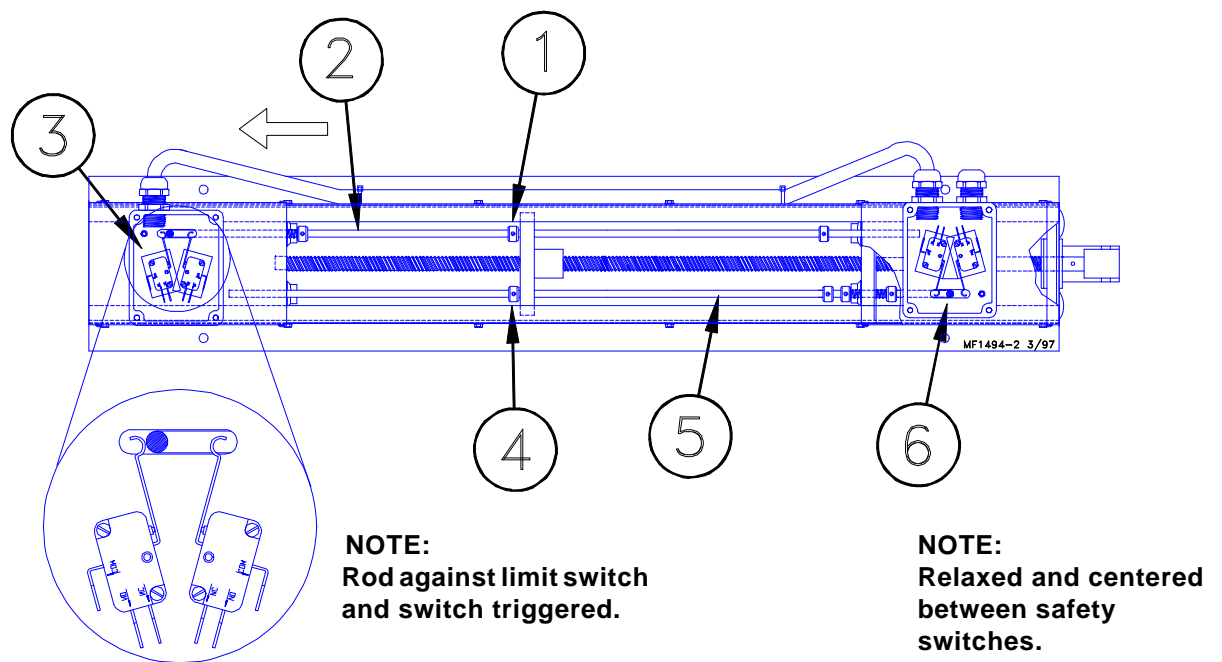


Figure 3. Setting Limits.

Key	Description
1	Limit Switch Set Collar
2	Limit Switch Rod
3	Limit Switch
4	Safety Switch Set Collar
5	Safety Switch Rod
6	Safety Switch

Contact your nearby Chore-Time distributor or representative for additional parts and information.
 Chore-Time Equipment, A division of CTB, Inc.
 P.O. Box 2000
 Milford, Indiana 46542-2000
 Phone: 219-658-4101 • E-Mail: ctb@ctbinc.com