



# Time Clock Control

(Part No. 26230)

## Introduction

The Time Clock Control consists of a single dial Time Clock and a contactor enclosed in a water-tight, dust-tight plastic box. Contact rating: 25 Amp @ 230 VAC, 1-Phase.

The Time Clocks have a permanent battery backup that will keep the clock on time for up to 150 hours. If power has not been restored within 150 hours, the time of day may need to be reset. When power is restored, the battery will be recharged.

The battery is not accessible and never needs to be replaced.

## Installation

Mounting Feet are supplied with the Control Box.

Fasten the Time Clock Control to a wall or post using lag screws (not supplied).

Water-tight connectors must be used to run wires in and out of the Control Box. Water-tight Connectors may be ordered separately through CHORE-TIME.

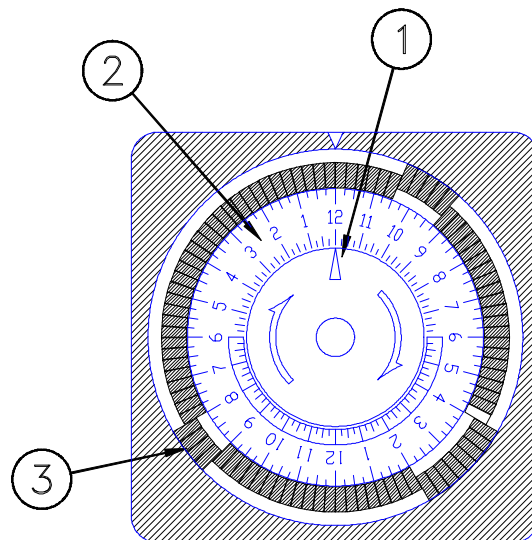
Wire the Control as specified by the appropriate wiring diagram in this instruction.

## Operation

1. **Never turn COUNTERCLOCKWISE.**
2. Adjust clock by turning the Time Clock Dial.
3. A small screwdriver or pen works well to set tabs.
4. Turn the Time Clock Dial to align the Pointer Mark with the correct time of day.
5. The dial controls the feeding period, lighting period, etc. Each tab represents 15 minutes.
6. Set the Toggle Switch, on the front of the Control Box, to "Time Clock Control" for normal timed operation.
7. Set the Toggle Switch to "Manual" to override the Time Clock and run constant.

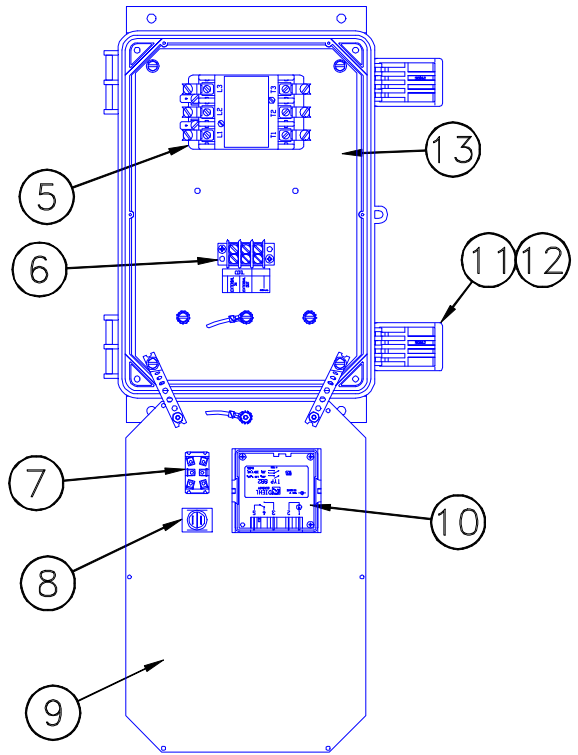
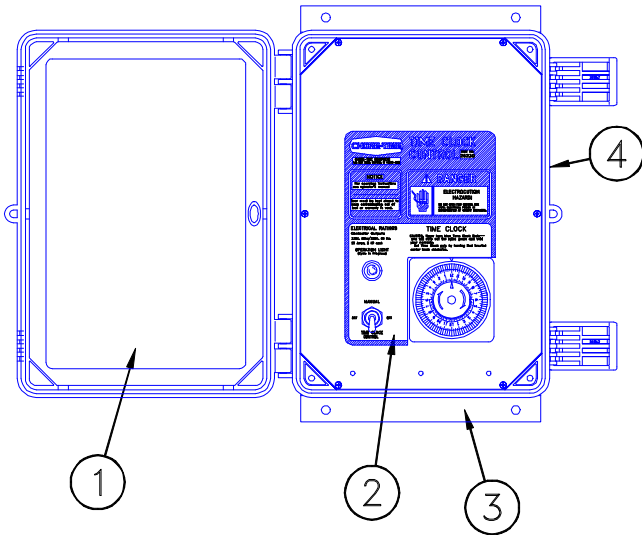
The Pilot Light comes on when the Time Clock is actuated or the switch is in the "Manual" position.

Key	Description
1	Pointer Mark indicates Time of Day.
2	Time Clock Dial
3	Slide tabs out at desired feeding, watering times, etc. Each tab represents 15 minutes.



MF861-2 6/95

## Time Clock Parts Lists (Part No. 26230)

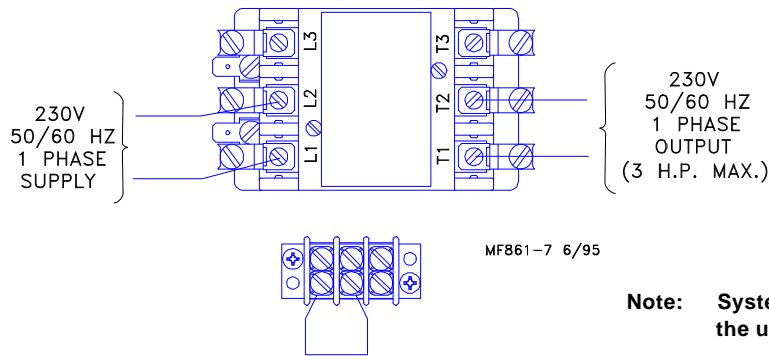


MFB61-1 6/95

Item	Description	Part No.
1	Clear Box Lid	30859-1
2	Time Clock Control Decal	2526-259
3	Control Box Mount Panel	34852
4	Control Box	30860-3
5	208-240 V Contactor	4283
6	Terminal Block	26862
7	Toggle Switch	20135
8	Pilot Light	7044
9	Front Panel	36112
10	Time Clock Assembly	34912
11	Control Box Latch Pivot	30863
12	Control Box Latch	30862
13	Back Panel	36111

## 26230 Time Clock Wiring Diagram

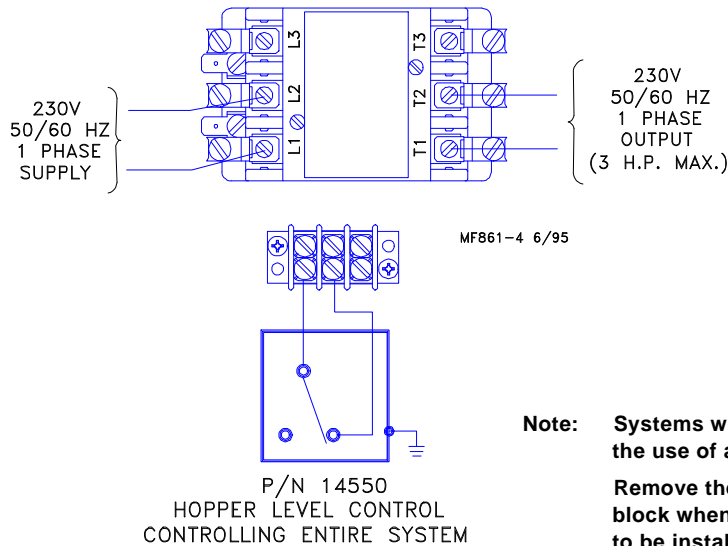
(for Single Boot and Two-Motor Tandem Systems)



**Note:** Systems with more than 3 H.P. require the use of an additional contactor.

## 26230 Time Clock Wiring Diagram

(for Extended Length Systems and Circulating Systems using a Hopper Level Control)

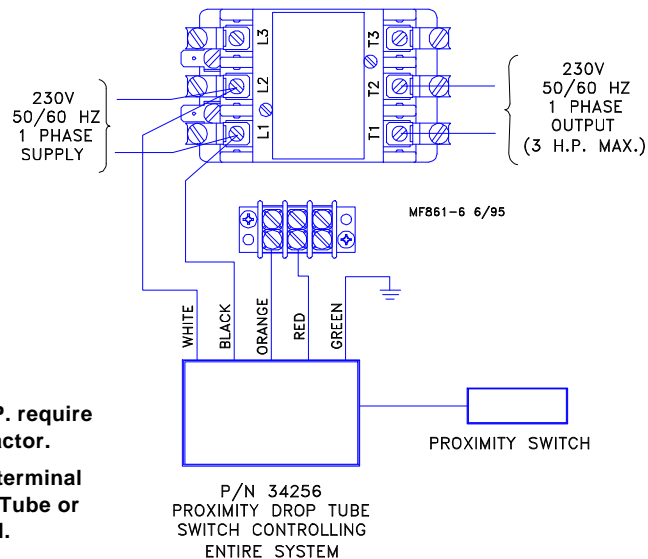


**Note:** Systems with more than 3 H.P. require the use of an additional contactor.

Remove the jumper from the terminal block when a Hopper Level Control is to be installed.

## 26230 Time Clock Wiring Diagram

(for Extended Length Systems and Circulating Systems using a Proximity Drop Tube or Level Switch)

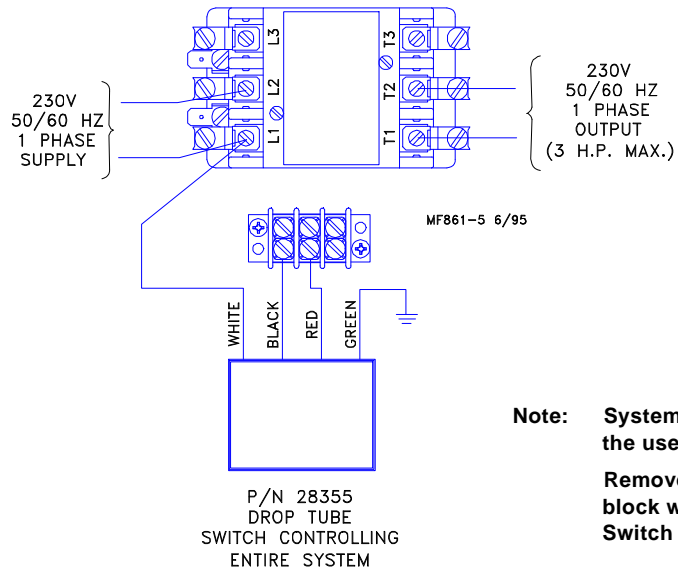


**Note:** Systems with more than 3 H.P. require the use of an additional contactor.

Remove the jumper from the terminal block when a Proximity Drop Tube or Level Switch is to be installed.

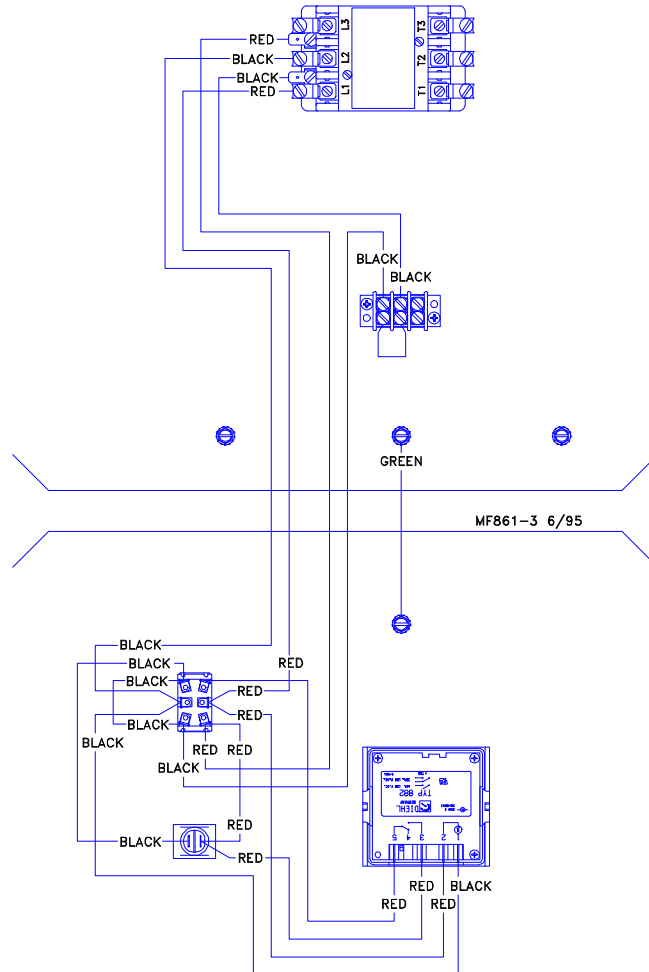
## 26230 Time Clock Wiring Diagram

(for Extended Length Systems and Circulating Systems using a Mechanical Drop Tube Switch)



**Note:** Systems with more than 3 H.P. require the use of an additional contactor.  
Remove the jumper from the terminal block when a Mechanical Drop Tube Switch is to be installed.

## Internal Wiring Diagram of the 26230 Time Clock Control



Contact your nearby Chore-Time distributor or representative for additional parts and information.  
Chore-Time Equipment, A Division of CTB, Inc.  
P.O. Box 2000, Milford, Indiana 46542-2000 U.S.A.  
Phone: 219-658-4101 • Fax: 219-658-3220