

48" Crated Fan

Model 35000-0

Installation

1. Cut an opening in the wall to house the fan.
2. Construct a frame in the opening of the wall for the fan using 2" x 6" (50 x 152 mm) lumber, not supplied.
The inside dimensions of the frame must be 54" x 54" (1.37 m x 1.37 m), as shown in Figure 1. The frame must be securely fastened together in the opening.
3. Secure the fan in the wall opening using the #8 x 3/4" lag screws provided. When mounting the fan drill through both the shroud and crate.
4. Use the Cable Ties, provided in the hardware package, to route the motor cord along the Post and away from the Blade Assembly.
An exit hole may be drilled in one of the crate panels for the motor cord. Locate as required. Use a conduit locknut (not supplied) to avoid cord damage.
5. Refer to the appropriate control instruction manual for wiring information.

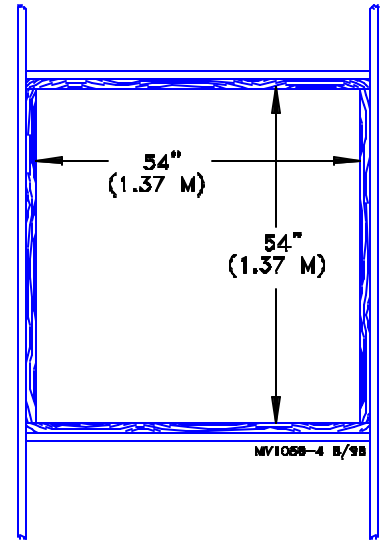


Figure 1.

6. Figure 2 shows the dimensions of the 48" Crated Fan. The outside dimension is with the crate on the fan and the inside dimension is with the crate off.

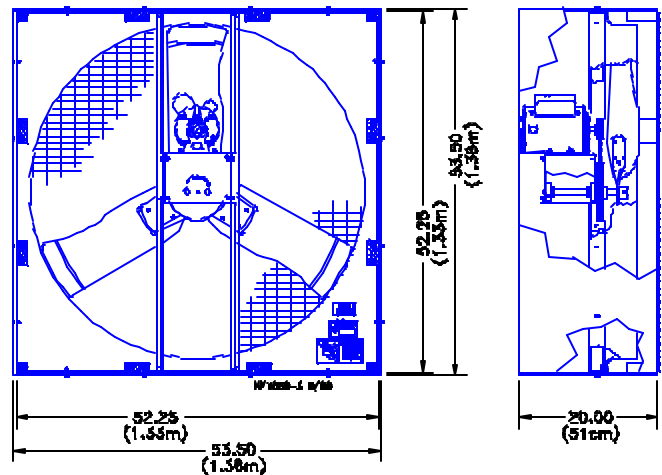


Figure 2.

7. Figure 3 shows the dimensions of the optional shutter.

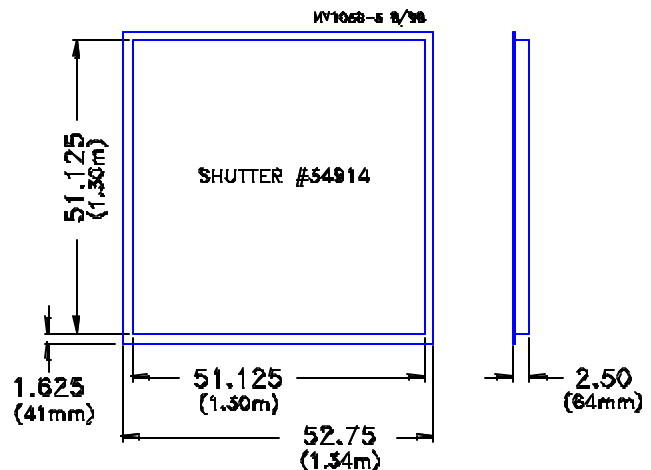
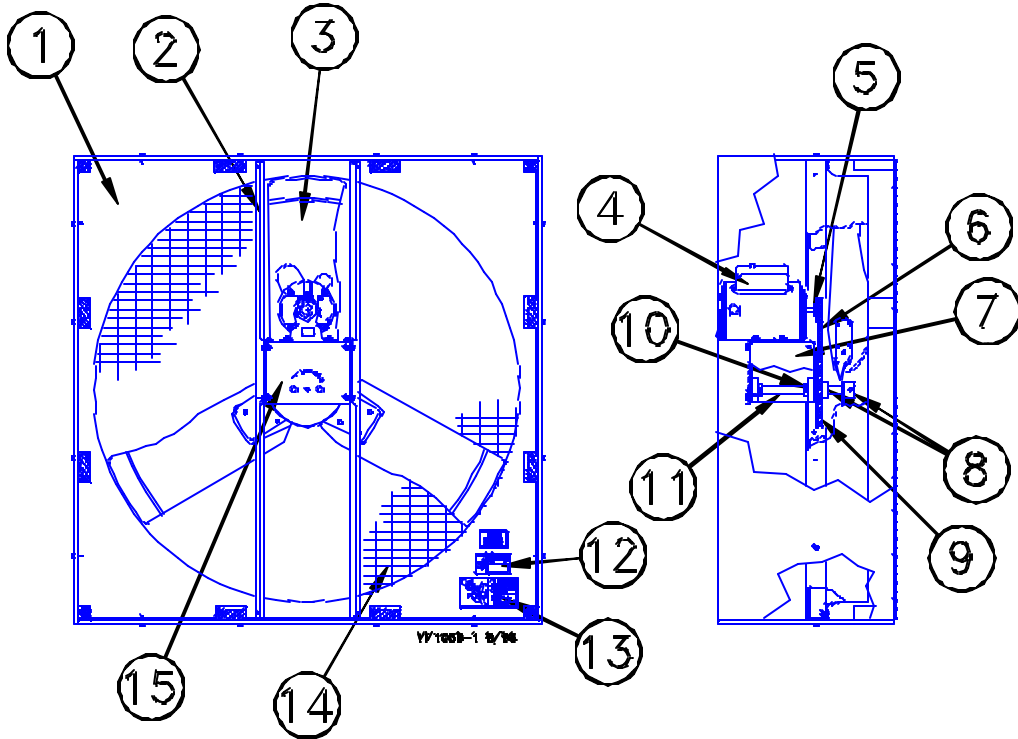


Figure 3.

48" Crated Fan

Part No. 35000-0



Item	Description	Part No.	Item	Description	Part No.
1	Shroud	35393	8	1/4 x 1-1/8" Sq. Key	2419-2
2	Post	35394	9	Pulley	35009
3	Fan Blade	28140	10	Bearing	38382
4	Motor	See Chart	11	Shaft	34723
5	Motor Pulley	See Chart	12	Danger Decal	2527-10
6	Segmented V-Belt	30374	13	Danger Decal	2527-50
7	Front Bearing Mount	38515	14	Wire Screen	6023-22
			15	Rear Bearing Mount	38407

48" Belt Drive E-Z Crated Fan	Motor Specifications and Part Numbers					Motor Pulley Part No.
	H.P.	Hz.	Phase	Voltage	Motor Part No.	
35000-LM	--	--	--	--	--	35333
35000-1	1	60	1	115/208-230	35874	35333
35000-2	1	50	1	115/220-240	35874	8773
35000-4	1	50	3	230/380-415	36142	24697
35000-5	1	60	3	230/380-415	36142	35333

SAFETY INFORMATION

CHORE-TIME is concerned about the safety of its customers. Caution, Warning and Danger decals have been placed on the equipment to warn of potentially dangerous situations. Care should be taken to keep this information intact and easy to read at all times. Replace missing or damaged safety decals.

Safety-Alert Symbol

This is a safety-alert symbol. When you see this symbol on your equipment, be alert to the potential for personal injury.



Signal Words

Signal words are used in conjunction with the safety-alert symbol to identify the severity of the warning.

DANGER..... identifies immediate hazards which **WILL** result in severe personal injury or death.

WARNING..... identifies hazards or unsafe practices which **COULD** result in severe personal injury or death.

CAUTION..... identifies hazards or unsafe practices which **COULD** result in minor personal injury or product or property damage.



DANGER



WARNING



CAUTION

IMPORTANT

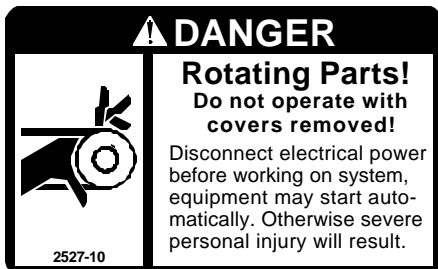
Chore-Time Equipment, Inc. strongly recommends that a good alarm system should be installed in confinement buildings to warn of power failure and high temperature.

Chore-Time Equipment recommends that an alternate power source be available for confinement buildings in case of power failure.

THESE DECALS ARE PLACED ON THE SHROUD OF THE 48" FAN

DANGER--ROTATING PARTS • DANGER--ROTATING FAN BLADE

Severe personal injury will result, if the equipment is operated without covers properly installed, and if equipment starts automatically while in contact with rotating parts.



The Chore-Time Warranty

Chore-Time Equipment warrants each new product manufactured by it to be free from defects in material or workmanship for one year from the date of initial installation by the original purchaser. If such a defect is found by Chore-Time to exist within the one year period, Chore-Time will, at its option, (a) repair or replace such product free of charge, F.O.B. the factory of manufacture, or (b) refund to the original purchaser the original purchase price, in lieu of such repair or replacement.

Additional extended warranties are herewith provided to the original purchaser as follows:

1. TURBO™ and RLX™ Fans, less motors, for three years from date of installation.
- *2. Poultry feeder pans that become unusable within five years from date of installation. Warranty prorated after three years usage.
3. MEAL-TIME® Hog Feeder pans that become unusable within five years of installation.
4. Rotating centerless augers, excluding applications involving High Moisture Corn (exceeding 18%), for ten years from date of installation. Note: MULTIFLO® and applications involving High Moisture Corn are subject to a one year warranty.
5. Chore-Time manufactured roll-formed steel auger tubes for ten years from date of installation.
- *6. Laying cages that become unusable within ten years. Warranty prorated after three years usage.
- *7. ULTRAFLO® Auger and ULTRAFLO® Feed Trough (except ULTRAFLO® Trough Liners) are warranted for a period of five (5) years from date of original purchase against repeated breakage of the auger or wear-through of the feed trough caused solely by the auger.

Conditions and limitations:

1. The product must be installed and operated in accordance with instructions published by Chore-Time or warranty will be void.
2. Warranty is void if all components of a system are not supplied by Chore-Time.
3. This product must be purchased from and installed by an authorized Chore-Time dealer or certified representative thereof, or the warranty will be void.
4. Malfunctions or failure resulting from misuse, abuse, negligence, alteration, accident, or lack of proper maintenance shall not be considered defects under this warranty.
5. This warranty applies only to systems for the care of poultry and livestock. Other applications in industry or commerce are not covered by this warranty.

Chore-Time shall not be liable for any consequential or special damage which any purchaser may suffer or claim to have suffered as a result of any defect in the product. "Consequential" or "special damages" as used herein include, but are not limited to, lost or damaged products or goods, costs of transportation, lost sales, lost orders, lost income, increased overhead, labor and incidental costs and operational inefficiencies.

THIS WARRANTY CONSTITUTES CHORE-TIME'S ENTIRE AND SOLE WARRANTY AND CHORE-TIME EXPRESSLY DISCLAIMS ANY AND ALL OTHER WARRANTIES, INCLUDING, BUT NOT LIMITED TO, EXPRESS AND IMPLIED WARRANTIES AS TO MERCHANTABILITY, FITNESS FOR PARTICULAR PURPOSE SOLD AND DESCRIPTION OR QUALITY OF THE PRODUCT FURNISHED HEREUNDER.

Any exceptions to this warranty must be authorized in writing by an officer of the company. Chore-Time reserves the right to change models and specifications at any time without notice or obligation to improve previous models.

*See separate Chore-Time Cage Wire Warranty as to these products.

Contact your nearby Chore-Time distributor or representative for additional parts and information.
Chore-Time Equipment, A Division of CTB, Inc.
P.O. Box 2000, Milford, Indiana 46542-2000 U.S.A.
Phone: 219-658-4101 • E-Mail: ctb@ctbinc.com

Printed in the U.S.A.