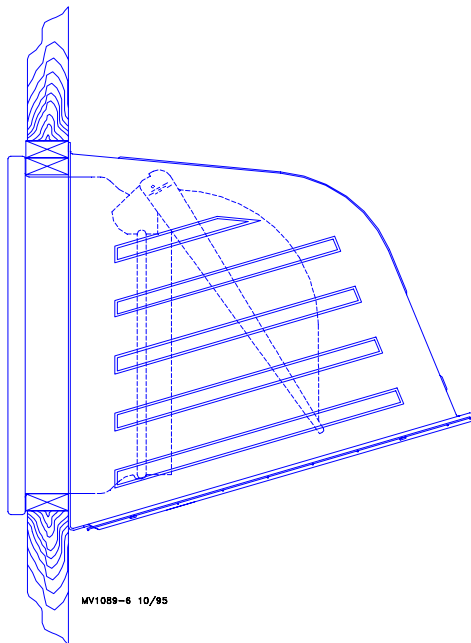


TURBO™
Hooded Fans
Installation & Operator's Manual
(14", 18", & 24" Direct Drive)



WARRANTY INFORMATION

Chore-Time Equipment warrants each new product manufactured by it to be free from defects in material or workmanship for one year from the date of initial installation by the original purchaser. If such a defect is found by Chore-Time to exist within the one year period, Chore-Time will, at its option, (a) repair or replace such product free of charge, F.O.B. the factory of manufacture, or (b) refund to the original purchaser the original purchase price, in lieu of such repair or replacement.

Additional extended warranties are herewith provided to the original purchaser as follows:

1. RLX Fans, less motors, for three years from date of installation.
- *2. Poultry feeder pans that become unusable within five years from date of installation. Warranty prorated after three years usage.
3. MEAL-TIME® Hog Feeder pans that become unusable within five years of installation.
4. Rotating centerless augers, excluding applications involving High Moisture Corn (exceeding 18%), for ten years from date of installation. Note: MULTIFLO® and applications involving High Moisture Corn are subject to a one year warranty.
5. Chore-Time manufactured roll-formed steel auger tubes for ten years from date of installation.
- *6. Laying cages that become unusable within ten years. Warranty prorated after three years usage.
- *7. ULTRAFLO® Auger and ULTRAFLO® Feed Trough (except ULTRAFLO® Trough Liners) are warranted for a period of five (5) years from date of original purchase against repeated breakage of the auger or wear-through of the feed trough.

Conditions and limitations:

1. The product must be installed and operated in accordance with instructions published by Chore-Time or warranty will be void.
2. Warranty is void if all components of a system are not supplied by Chore-Time.
3. This product must be purchased from and installed by an authorized Chore-Time dealer or certified representative thereof, or the warranty will be void.
4. Malfunctions or failure resulting from misuse, abuse, negligence, alteration, accident, or lack of proper maintenance shall not be considered defects under this warranty.
5. This warranty applies only to systems for the care of poultry and livestock. Other applications in industry or commerce are not covered by this warranty.

Chore-Time shall not be liable for any consequential or special damage which any purchaser may suffer or claim to have suffered as a result of any defect in the product. "Consequential" or "special damages" as used herein include, but are not limited to, lost or damaged products or goods, costs of transportation, lost sales, lost orders, lost income, increased overhead, labor and incidental costs and operational inefficiencies.

THIS WARRANTY CONSTITUTES CHORE-TIME'S ENTIRE AND SOLE WARRANTY AND CHORE-TIME EXPRESSLY DISCLAIMS ANY AND ALL OTHER WARRANTIES, INCLUDING, BUT NOT LIMITED TO, EXPRESS AND IMPLIED WARRANTIES AS TO MERCHANTABILITY, FITNESS FOR PARTICULAR PURPOSE SOLD AND DESCRIPTION OR QUALITY OF THE PRODUCT FURNISHED HEREUNDER.

Any exceptions to this warranty must be authorized in writing by an officer of the company. Chore-Time reserves the right to change models and specifications at any time without notice or obligation to improve previous models.

*See separate "WARRANTY ADDITION" as to these products

CHORE-TIME EQUIPMENT, A Division of CTB, Inc.
P.O. Box 2000, Milford, Indiana 46542-2000 U.S.A.

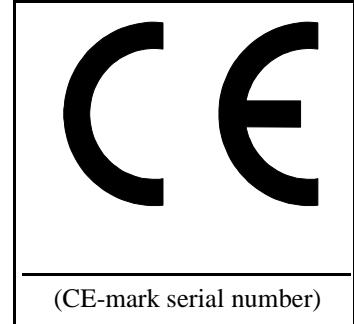
Support Information

The Chore-Time Hooded Fans are designed to be used as exhaust fans in highly corrosive environments. The primary components are made from plastic or stainless steel materials. Using this equipment for any other purpose or in a way not within the operating recommendations specified in this manual will void the warranty and may cause personal injury and/or death.

This manual is designed to provide comprehensive planning, installation, wiring, operation, and parts listing information. The Table of Contents provides a convenient overview of the information in this manual. The Table of Contents also specifies which pages contain information for the sales personnel, installer, and consumer (end user).

IMPORTANT: CE stands for *certified Europe*. It is a standard which equipment must meet or exceed in order to be sold in Europe. CE provides a benchmark for safety and manufacturing issues. CE is required only on equipment sold in Europe.

Chore-Time Equipment recognizes CE Mark and pursues compliance in all applicable products. Fill in the CE-Mark serial number in the blank space provided for future reference.



Please fill in the following information about your Hooded Fans. Keep this manual in a clean, dry place for future reference.

Distributor's Name _____

Distributor's Address _____

Distributor's Phone _____ **Date of Purchase** _____

Installer's Name _____

Installer's Address _____

Installer's Phone _____ **Date of Installation** _____

System Specifications _____

Table of Contents

<u>Topic</u>	<u>Page</u>	<u>User*</u>
Warranty Information	2	C, D
Support Information	3	C, D
Tools needed to install your Hooded Fans, Technical Information.....	4	I
Safety Information	5	C, I
Fan Installation	6	I
Hooded Fan Parts Listing	8	C, D

*Legend: C = Customer (end user), D = Distributor (sales), I = Installer of equipment

Tools needed to install your Hooded Fans include:

1. Regular Screwdriver
2. Wire Cutters
3. Wire Strippers
4. Adequate Size and Quantity of Electrical Wire
5. Electrical Drill and Drill Bits
6. 5/16" Socket
7. Another person to help!!

Technical Information

	14" Hooded Fan	18" Hooded Fan	24" Hooded Fan
Motor Specifications:			
Horsepower - - - - -	1/8 H.P.	1/4 H.P.	1/3 H.P.
Voltage - - - - -	230 V	230 V	230 V
Hz. - - - - -	60 Hz.	60 Hz.	60 Hz.
Phase - - - - -	Single Phase	Single Phase	Single Phase
R.P.M.- - - - -	1625 R.P.M.	1625 R.P.M.	1075 R.P.M.
 Blade:			
Size - - - - -	14" (356 mm)	18" (457 mm)	24" (610 mm)
Type- - - - -	Cast Aluminum	Cast Aluminum	Cast Aluminum

Important

Chore-Time Equipment strongly recommends that a good alarm system should be installed in confinement buildings to warn of power failure and high temperature.

Chore-Time Equipment also recommends that an alternate power source be available for confinement buildings in case of power failure.

Safety Information

Caution, Warning and Danger Decals have been placed on the equipment to warn of potentially dangerous situations. Care should be taken to keep this information intact and easy to read at all times. Replace missing or damaged safety signs.

Chore-Time equipment is designed to be installed and operated as safely as possible...however, hazards do exist. Using the equipment for purposes other than specified in this manual may cause personal injury or damage to the equipment.

SIGNAL WORDS

Signal words are used in conjunction with the safety-alert symbol to identify the severity of the warning.

DANGER..... indicates an imminently hazardous situation which, if not avoided, **WILL** result in death or serious injury.

WARNING indicates a potentially hazardous situation which, if not avoided, **COULD** result in death or serious injury.

CAUTION indicates a hazardous situation which, if not avoided, **MAY** result in minor or moderate injury.



DANGER

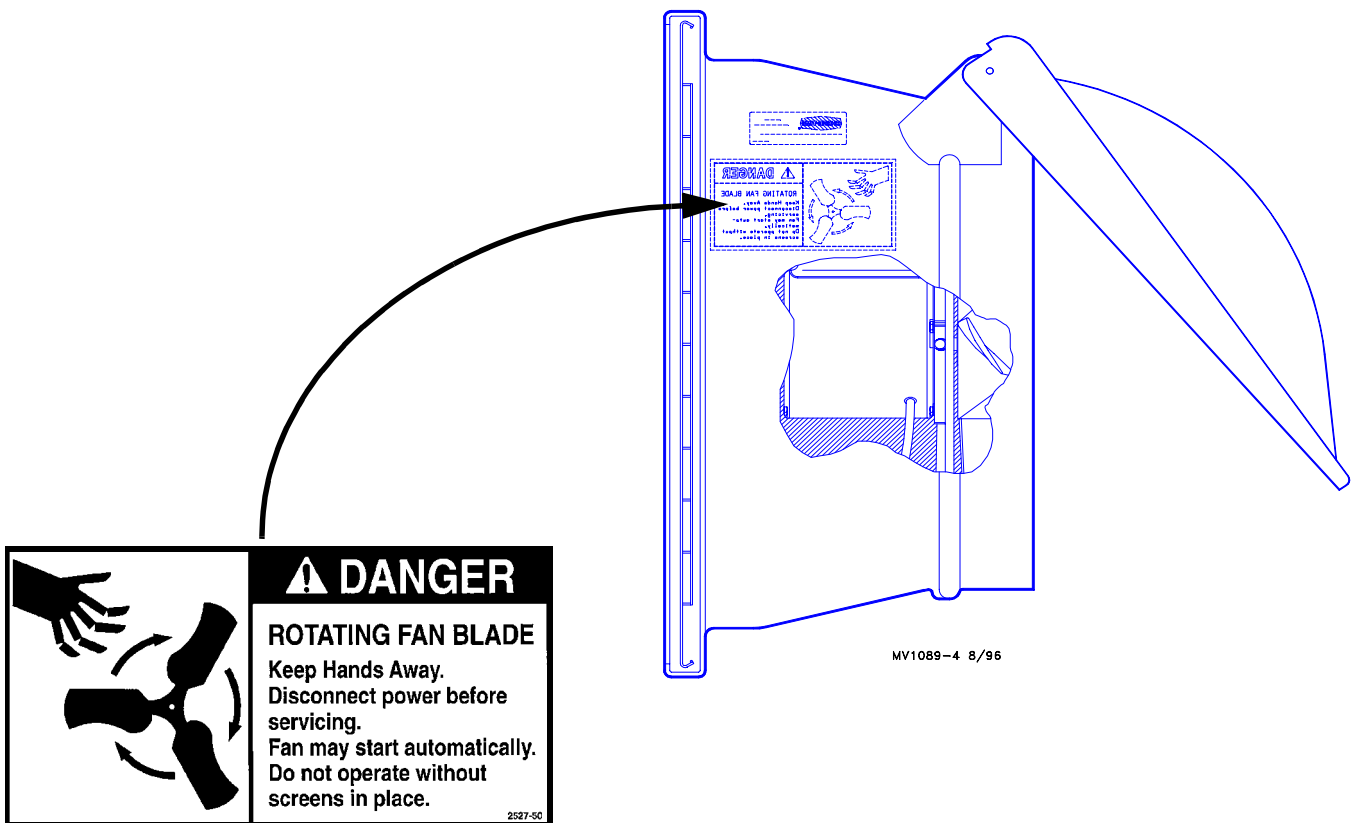


WARNING



CAUTION

This diagram shows the proper location of the safety decals as shipped from the factory. Replace damaged or missing decals. Make sure the decals may be easily seen at all times.

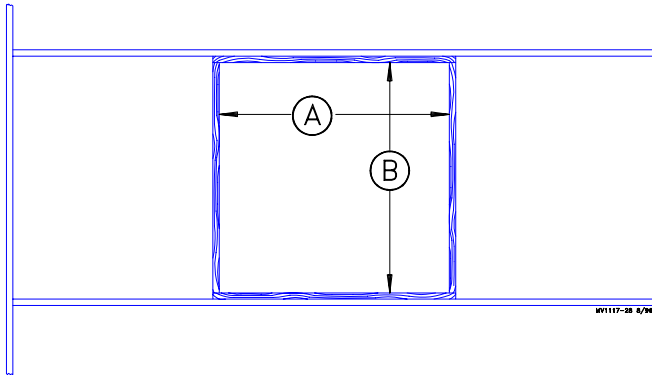


Fan Installation

The installation procedure is similar for the 14", 18", & 24" Hooded Fans, unless otherwise noted. The primary difference is the size of opening required. See Figure 1.

Build wall framing as specified in Figure 1. The required wall opening for each fan is included in the chart below.

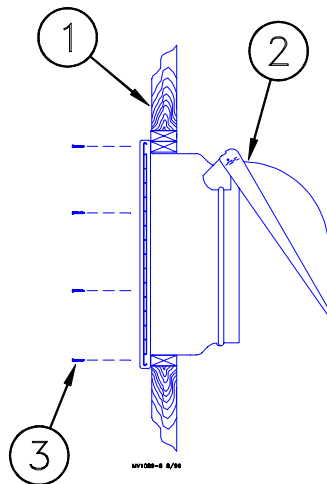
The Fans are shipped completely assembled and need only to be fastened to the wall.



Dimension	A	B
14" Hooded Fan	17.75" (45 cm)	17.75" (45 cm)
18" Hooded Fan	22.25" (56.5 cm)	22.25" (56.5 cm)
24" Hooded Fan	28.75" (73 cm)	28.75" (73 cm)

Figure 1. Framing Diagram (front view).

The Hardware Kit, supplied, includes (8) #10 screws to secure the fan to the framed opening. See Figure 2.



Key	Description
1	Side Wall
2	Hooded Fan
3	(8) #10 Screws

Figure 2. Hooded Fan Installation (side view)

The Plastic Hood should be installed over the fan as shown in Figure 3.

Note: Make sure the Hood is positioned as specified in Figure 3. If the Hood is installed too low on the fan, the Blow-Out Door (on the fan) will not be allowed to completely open. This will restrict air flow and compromise fan performance.

The Hardware Kit, supplied, includes the 2" screws used to secure the Hood to the building.

Install the Guard on the Hood opening, as shown in Figure 3, using 1/4-20 hardware supplied.

Slide the screen between the flanges on the incoming end of fan. Caution: The Screen must be installed to prevent serious injury.

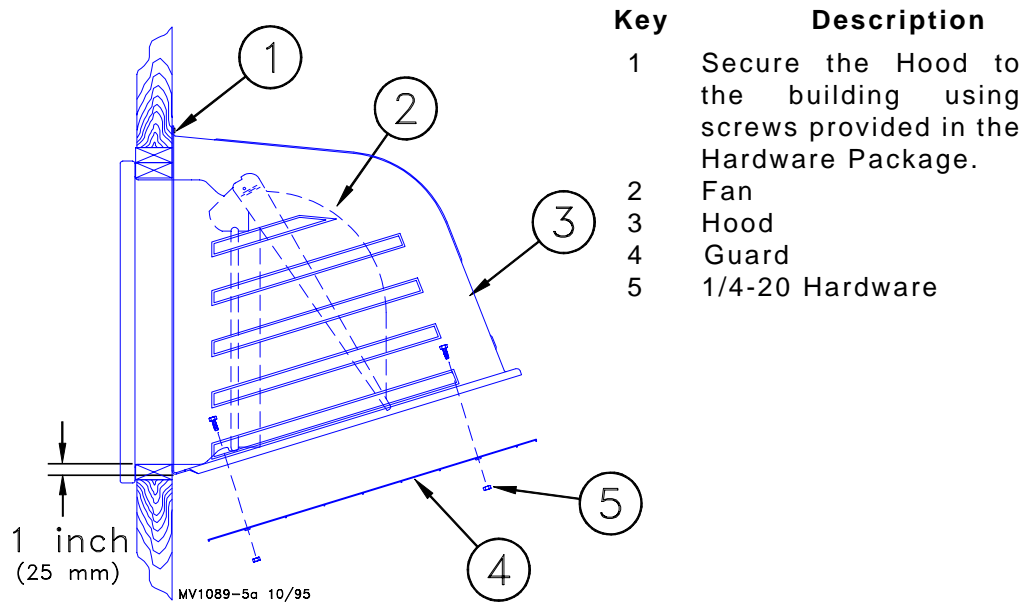


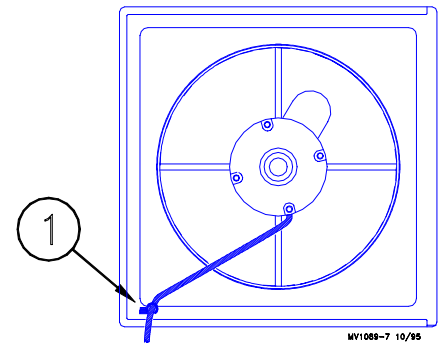
Figure 3. Hood and Guard Installation (side view)

WIRING:

Wire the motor to fan controls according to the instructions packed with the fan controls.

IMPORTANT: Route the motor cord out through the corner of the Shroud.

Fasten the cord to the side of the Fan, as shown in Figure 4, using Cord Clip and #10 screw, included.



Key	Description
1	Cord Clip

Figure 4. Cord Routing (front view)

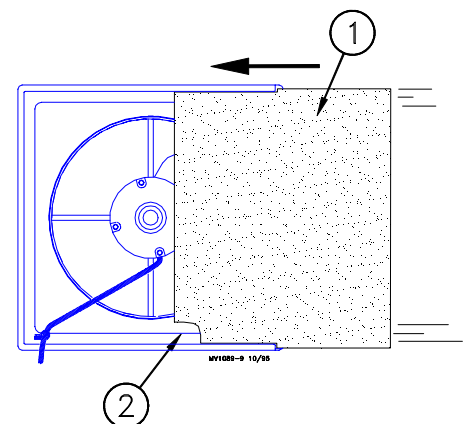
MAINTENANCE:

Service and maintenance of fans should be done only by a qualified technician.

DISCONNECT POWER PRIOR TO MAINTAINING OR CLEANING THE FAN! The fan may start automatically causing serious injury or death.

Keep the fan clean for maximum life and best performance.

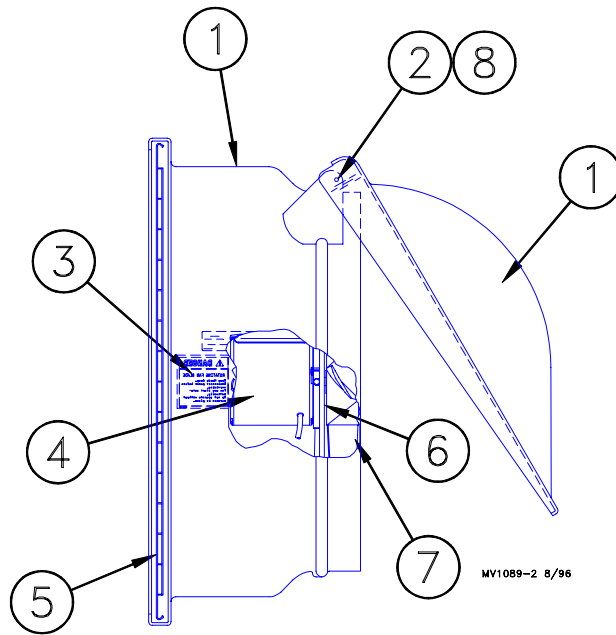
During winter (cold weather), it may be desirable to replace the Screen with a piece of insulation board. See Figure 5.



Key	Description
1	Insulation Board (not supplied)
2	Notch the insulation board as required for cord routing.

Figure 5. Insulation Board Installation (front view)

Hooded Fan Parts Listing



<u>Item</u>	<u>Description</u>	<u>14" Fan Part No.</u>	<u>18" Fan Part No.</u>	<u>24" Fan Part No.</u>
1	Fan Housing	35244	35254	30610
2	S.S. Clevis Pin	35662	35662	35662
3	Danger Decal	2527-50	2527-50	2527-50
4	Motor	35996	35997	35661
5	Screen	35671	35672	35660
6	Motor Mount Weldment	35380	35372	38343
7	Blade (cast aluminum)	38346	38342	38341
8	S.S. Bridge Pin	35993	35993	35993
--	Hood	7442	6948	6950
--	Cover Guard (Screen)	7374	7440	7009

	14" Fan	18" Fan	24" Fan
Hooded Fan (Items 1 - 8)	35703	35702	35650
Fan Cover, Cover Guard, & Mounting Hardware	7441	7106	7027
Hooded Fan, Fan Cover, Cover Guard, & Mounting Hardware	36760-142	36760-182	36760-242

Revisions to this Manual

Page No

8

Description of Change

Changed part numbers for fan blades and 24" motor mount weldment.

Contact your nearby Chore-Time distributor or representative for additional parts and information.
 Chore-Time Equipment, A Division of CTB, Inc.
 P.O. Box 2000, Milford, Indiana 46542-2000 U.S.A.
 Phone: 219-658-4101 • E-Mail: ctb@ctbinc.com

Printed in the U.S.A.