



# Turbo Cool Sump Support and Jet Deflector Installation

## Sump Support

1. Align holes in Sump Support with chalk line on bottom stringer. Install Sump Support 2-1/4" from edge of framed opening using 2 nails, (shown in **Figure 1** below).
2. Align holes in Sump with holes in Sump Support and use 1/4 x 1-1/2" Lag screws to hang Sump from bottom stringer.
3. Install screw hooks, cable and cable clamps, (shown in **Figure 1** below). Hook the cable under tabs on Sump Support. Tension the cable so bottom of Sump is level.

## Jet Deflector

Install Jet Deflectors on the Distribution Pipe where holes in the Distribution Pipe align with the seam between adjacent Covers, (See **Figure 2** below).

Item	Description	Part Numbers
1	Top 2 x 6 Stringer	-
2	2 x 4 (End of framed opening)	-
3	Bottom 2 x 6 Stringer	-
4	Chalk Line	-
5	2-1/4" (measure from the end of framed opening.)	-
6	Inner Hole for Lag Screw	-
7	1/4 x 1-1/2" Lag Screws	41561
8	Nail (not supplied)	-
9	Sump Support	44512
10	1-1/4" spacing for chalk line	-
11	Support Cable	44528
12	Cable Clamp	14898
13	Screw Hook	1214
14	Support Tab	-
15	Sump	41341
16	10-1/2" spacing between Screw Hooks	-
17	2" from outer edge of 2 x 4 to 1st hook	-
18	Jet Deflector	44526
19	Distribution Pipe	41333
20	Cover	38355

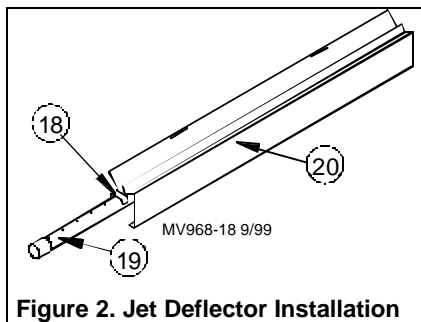
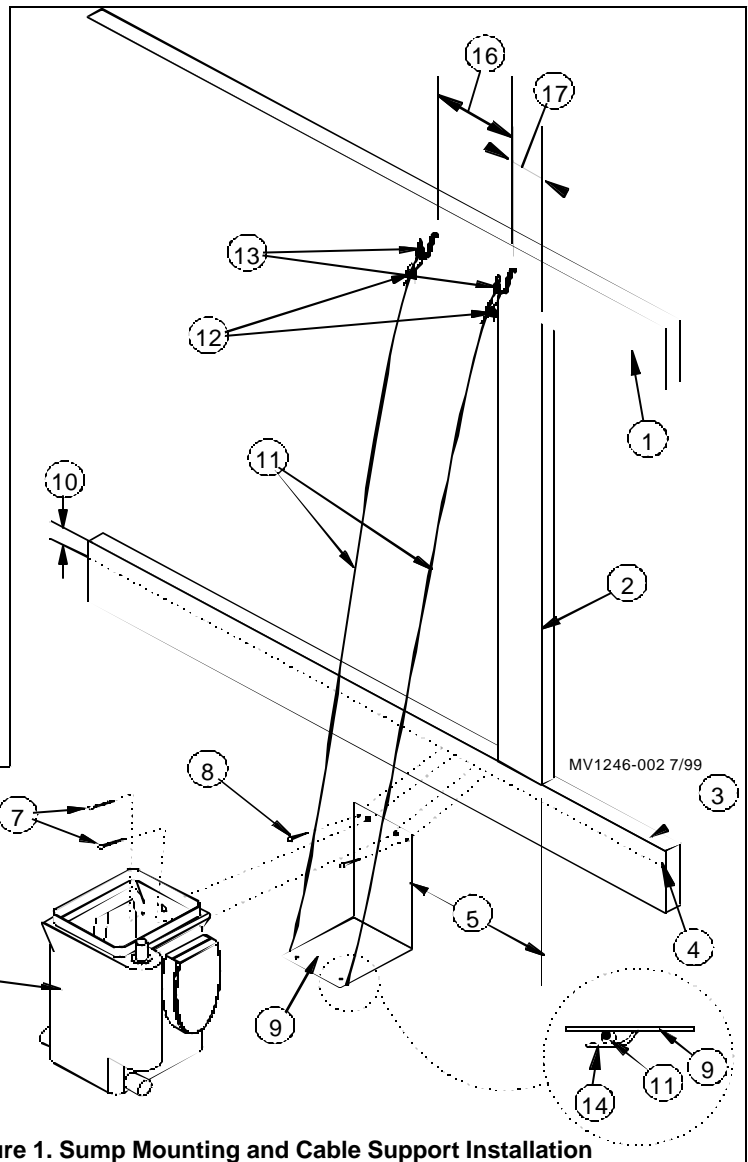


Figure 2. Jet Deflector Installation

Figure 1. Sump Mounting and Cable Support Installation

Chore-Time Equipment a Division of CTB Inc.  
 P.O. Box 2000 · Milford, Indiana 46542-2000 · U.S.A.  
 Phone (219) 658-4101 · Fax (800) 333-4191

E-Mail: [ctb@ctbinc.com](mailto:ctb@ctbinc.com) · Internet: <http://www.ctbinc.com>