

Fiberglass Cone TURBO™ Fan

48" Direct Drive

Installation:

1. Cut a 55 x 55 (139.7 cm x 139.7 cm) opening in the wall to house the fan.
Figure 1 provides dimensional information to help determine the opening location, etc.
2. Construct a frame in the opening of the wall for the fan using 2" x 6" (50.8 mm x 152.4 mm)

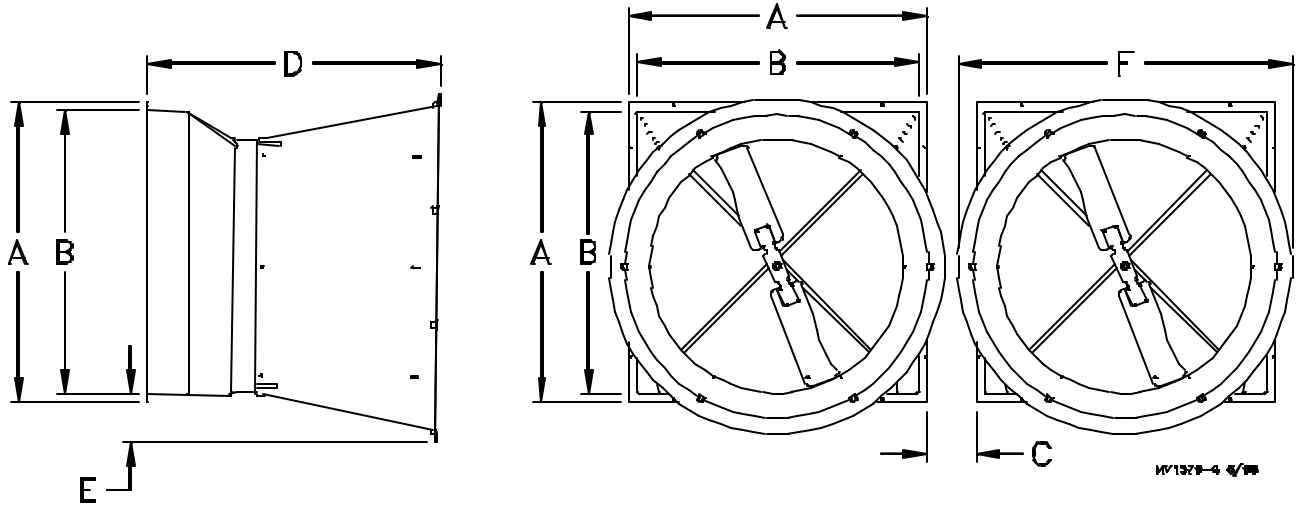


Figure 1. Fan Assembly and Cone Dimensions

A	B	C	D	E	F
58.00"	Rough Frame Opening 55.00"	Minimum 12.00"	44.00"	8.00"	64.50"
(147.32 cm)	(139.70 cm)	(30.48 cm)	(111.76 cm)	(20.32 cm)	(163.83 cm)

3. Insert the Fan Assembly in the wall opening and secure using the (12) 1/4 x 1-3/4 Lag Screws, Shutter Clips, and Nylon Washers provided. The Shroud is pre-drilled (3 holes per side). The hardware must be installed as shown in Figure 2 below. This allows rotation of the Shutter Clips when installing the Shutter.
4. Slide the Cone onto the Shroud, as shown in Figure 2. Align the holes in the Cone with the slots in the Shroud. Insert the (6) Wafer Head Bolts from inside the Shroud through the Cone.
5. Snap the Outlet Cone Grill into the slots on the outlet end of the Cone.
6. Wire the Fan Motor as specified in the appropriate Control Installation Manual. Make sure the Motor Cord is routed away from the Fan Blades.

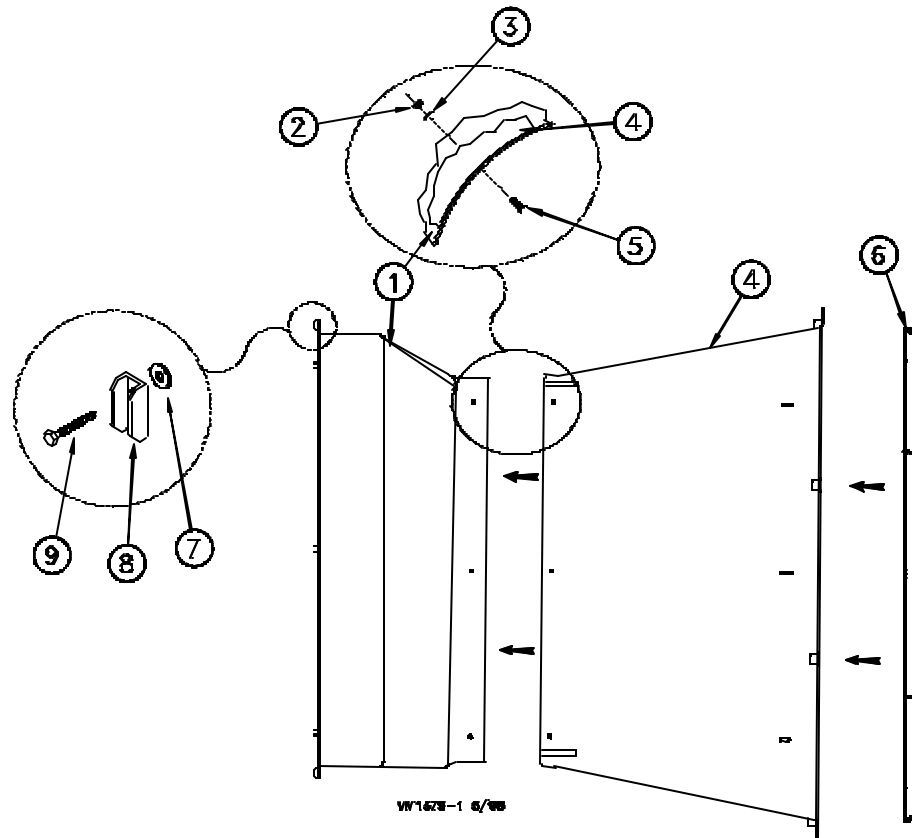


Figure 2. Fan Installation

Key	Description	Part No.
1	Shroud	37914
2	1/4-20 Nylon Hex Nut	8916
3	Nylon Washer	4856
4	Cone	38266
5	1/4-20 x 7/8 Wafer Head Bolt	40775
6	Cone Grill	35199
7	Nylon Washer	4856
8	Shutter Clip	36729
9	1/4 x 1-3/4 SS Lag Screw	40938

7. The Fiberglass Fans are shipped with the Danger Decal fastened to the Fan Shroud. Always keep the Decals clean and readable.
If the Danger Decal becomes damaged or unreadable, order a replacement Decal (Part No. 2527-50) immediately.

Clean the Shroud at the approximate location where the Decal will be placed.
Peel the backing off the Decal and affix it to the Shroud. See Figure 3.

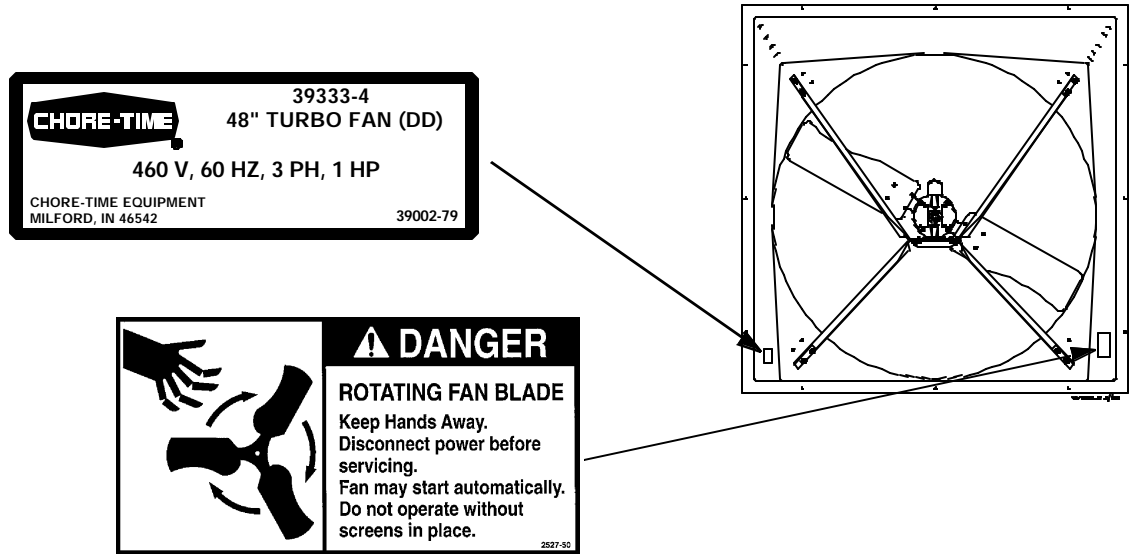
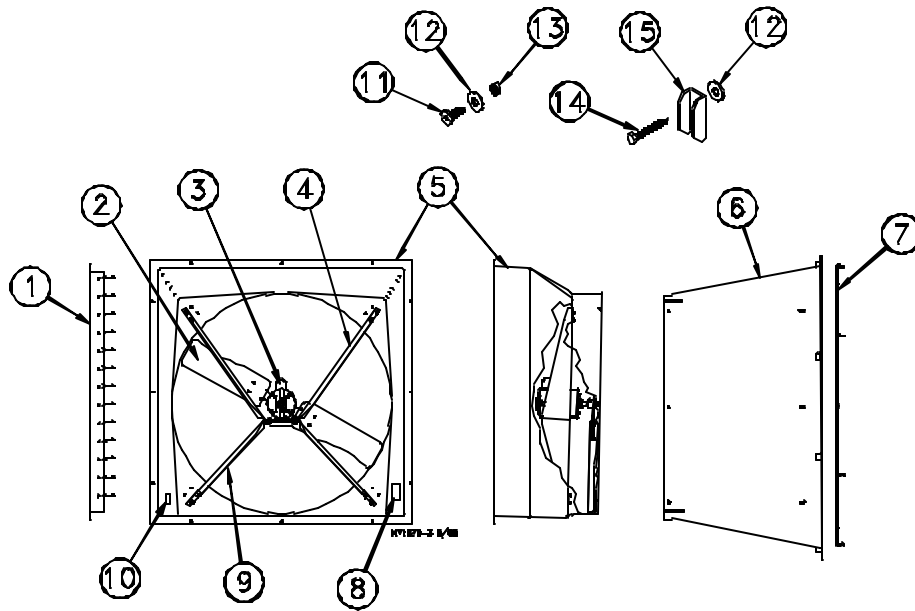


Figure 3. Decal Location

8. Install the Shutter to the Fan Assembly
Rotate the Shutter Clips to secure the Shutter to the Shroud.

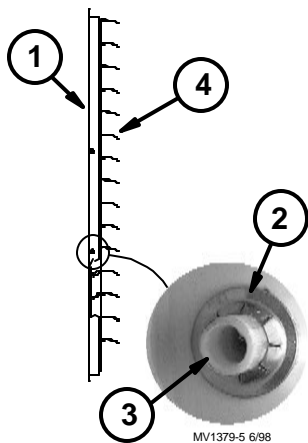
Fan Parts List



Item	Description	Part No.
1	Shutter (plastic)	38029
	Shutter (aluminum)	38260
2	48" Direct Drive Fan Blade	39336
3	3 Ph, 60 Hz, 460 V, 1 Hp, Motor	39020
4	Upper Motor Mount	37916
5	Fan Shroud	37914
6	Outlet Cone	38268
7	Outlet Cone Grill	35199
8	Danger Decal	2527-50

Item	Description	Part No.
9	Lower Motor Mount	37915
10	Identification Decal	39002-79
11	1/4-20 x 7/8 Wafer Head Bolt	40775
12	Nylon Washer	4856
13	1/4-20 Nylon Hex Nut	8916
14	1/4 x 1-3/4 SS Lag Screw	40938
15	Shutter Clip	36729

Plastic Shutter Parts List



Item	Description	Part No.
1	Shutter (plastic)	38029
2	Push Nut, 1/4"	38032
3	Shutter Rod Pivot	38702-2
4	Shutter Louver	38038-4

CTB Inc.

P.O. Box 2000 • Milford, Indiana 46542-2000 • U.S.A.

Phone (219) 658-4101 • Fax (800) 333-4191

E-Mail: ctb@ctbinc.com • Internet: <http://www.ctbinc.com>