

Updated Information for the
48" E-Z Box Fan

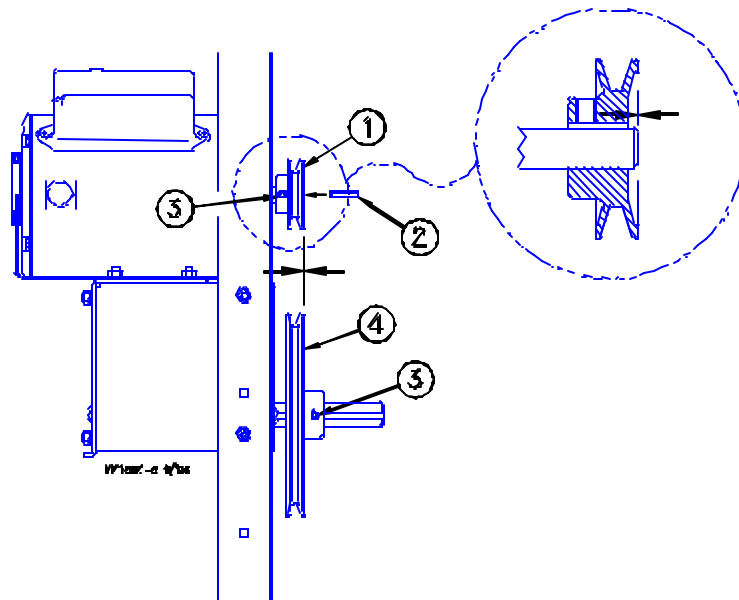
This Update Manual is to be used in conjunction with the following E-Z Fan Manuals: E-Z Box Fan Manuals (MV1287), E-Z Cone Fan Manual (MV1345).

The installation information and parts listings included in this manual supersedes the information included in the E-Z Fan Manual.

Install the Motor Pulley on the Motor Shaft. The outside edge of the Motor Pulley should be flush with the end of the Motor Shaft. See Figure 1.

Align the large pulley with the Motor Pulley and tighten the set screws. The Pulleys must be aligned so that the Belt will track straight.

Begin with the Belt around small pulley, then guide the Belt around the larger pulley. Make sure the *printed* arrows on the Belt are pointing in the direction of blade rotation. Note: The arrows are printed on every tenth link.



Key	Description
1	Motor Pulley
2	1/4" Sq. Key (supplied with motor)
3	Tighten Set Screws
4	Large Pulley

Figure 1. Motor Pulley Installation (side view).

Slide the Blade Assembly onto the shaft. The Hub of the Fan Blade should be flush with the end of the Shaft. See Figure 2.

Insert key into keyway on shaft.

Tighten the set screw(s) using a 5/16" open end wrench (or 12 point 3/8" socket and ratchet).

Torque the set screws to approximately 130 in./lbs.

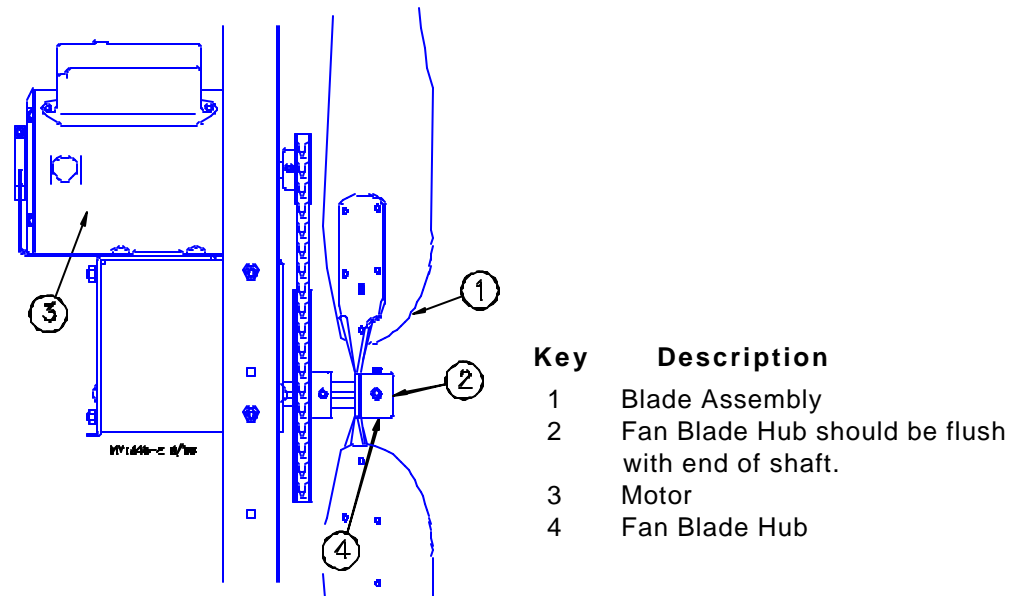


Figure 2. Blade Assembly Installation (side view).

MAINTENANCE:

Service and maintenance of fans should be done only by a qualified technician.

DISCONNECT POWER PRIOR TO MAINTAINING OR CLEANING THE FAN!
The fan may start automatically causing serious injury or death.

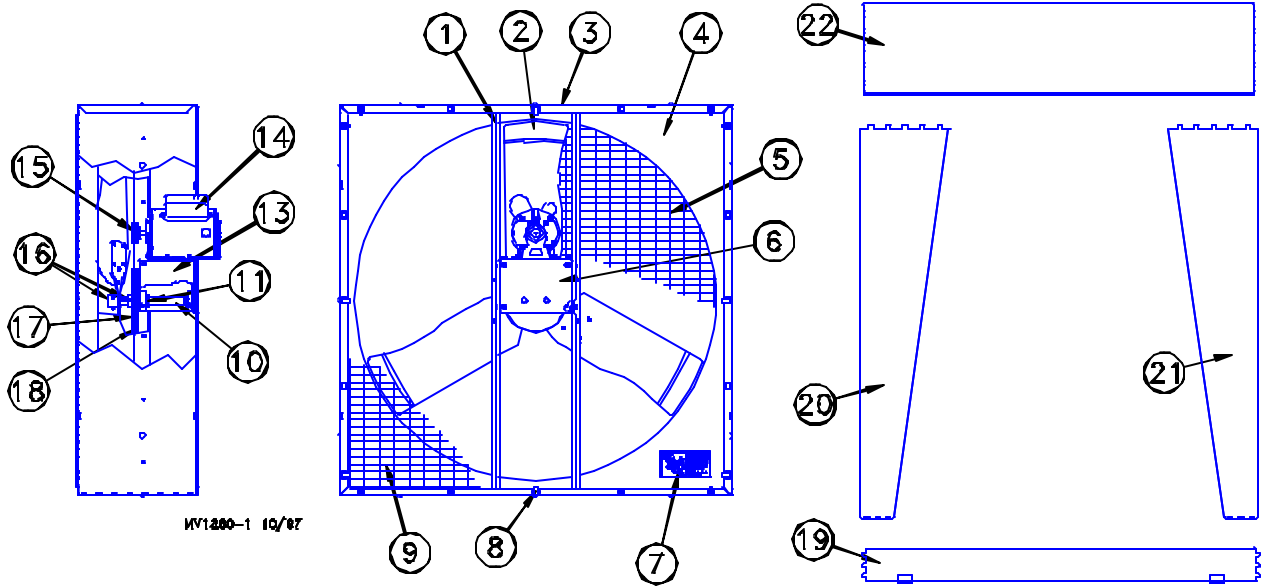
Check the belt tension after 48 hours of operation.

If the Belt needs to be re-tensioned, remove the Belt. Take one link out of the Belt and reconnect the ends. Reinstall the Belt, making sure the printed arrows are in the direction of fan rotation.

Keep the fan clean for maximum life and best performance.

Bearings are lubricated for life with normal use. Fans with relubricatable bearings may be lubricated periodically, using a lithium base grease.

48" Belt Drive E-Z Fan Parts List (Standard Box)

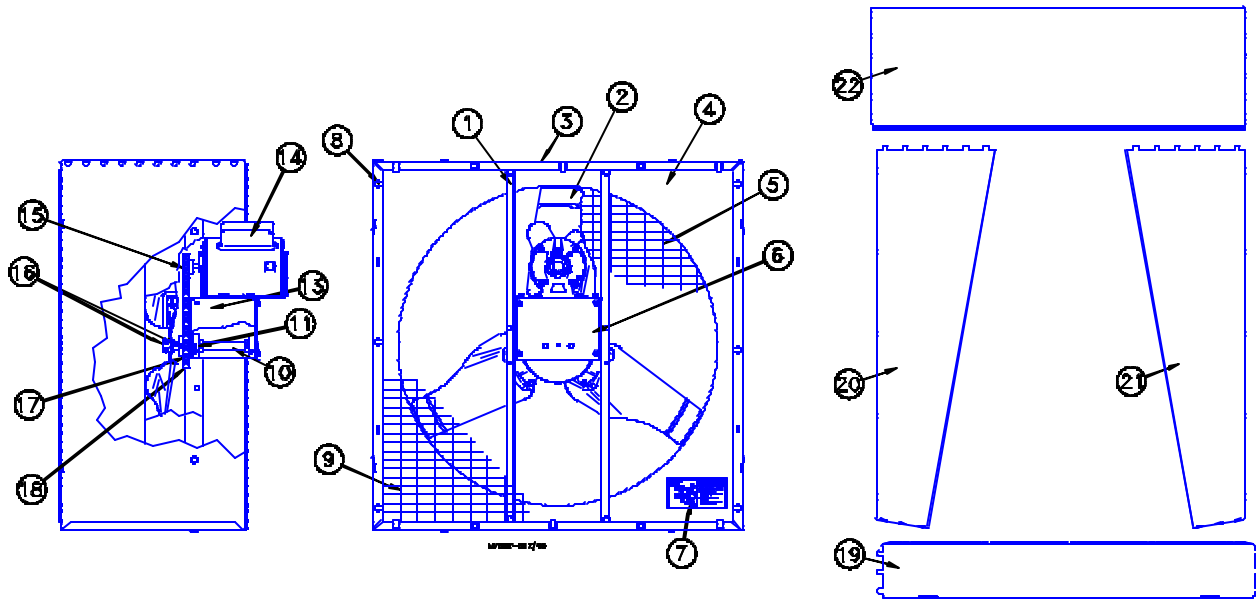


Item	Description	Part No.	Item	Description	Part No.
1	Motor Module Mount Post	36761	18	V-Belt (3' Req'd.)	30374
2	48" Fan Blade	28140	19*	Slant Wall Bottom Panel	36772
3	48" Fan Panel	36547	20*	Slant Wall Left Panel	36773-1
4	48" Shroud	36546	21*	Slant Wall Right Panel	36773-2
5	Front Wire Screen	36813	22*	Slant Wall Top Panel	36774
6	Rear Bearing Mount	38407	--*	Shutter Clip	36729
7	Danger Decal	2527-50	--*	5/16 x 1-1/4" Lag Screws	7888
8	Wire Clip	36007	--*	Nylon Washers	4856
9	Rear Wire Screen	36814	--*	#8 x 1" Screws	5998
10	1" Shaft	34723	--*	Grommet (for Shutter)	7256
11	Bearing	38382	--	Shutter	34914
13	Front Bearing Mount	36763			
14	Motor	See Chart			
15	Motor Pulley	See Chart			
16	1/4" Sq. Key	2419-2			
17	Fan Pulley	35009			

*These components may be ordered as a Slant Wall Kit under Chore-Time Part No. 37272.

48" Belt Drive E-Z Fan (assembled)	48" Belt Drive E-Z Fan (unassembled)	Motor Specifications and Part Numbers for 48" Fans					Motor Pulley Part No.	Motor Module Part No.
		H.P.	Hz.	Phase	Voltage	Motor Part No.		
37169-4800	37334-4800	--	--	--	--	--	35333	37271-LM
37169-4820	37334-4820	1	60	1	115/208-230	35874	35333	37271-2
37169-4830	37334-4830	1	50	1	115/220-240	35874	8773	37271-3
37169-4840	37334-4840	1	60	3	208-230/460	36143	35333	37271-4
37169-4850	37334-4850	1	50	3	208/380-415	36142	24697	37271-5
37169-4860	37334-4860	1	60	3	230/380-415	36142	35333	37271-6

48" Belt Drive E-Z Fan Parts List (Deep Box)



Item	Description	Part No.	Item	Description	Part No.
1	Motor Module Mount Post	36761	18	V-Belt (3' Req'd.)	30374
2	48" Fan Blade	28140	19*	Slant Wall Bottom Panel	36772
3	48" Fan Panel	37585	20*	Slant Wall Left Panel	36773-1
4	48" Shroud	36546	21*	Slant Wall Right Panel	36773-2
5	Front Wire Screen	36813	22*	Slant Wall Top Panel	36774
6	Rear Bearing Mount	38407	--*	Shutter Clip	36729
7	Danger Decal	2527-50	--*	5/16 x 1-1/4" Lag Screws	7888
8	Wire Clip	36007	--*	Nylon Washers	4856
9	Rear Wire Screen	36814	--*	#8 x 1" Screws	5998
10	1" Shaft	34723	--*	Grommet (for Shutter)	7256
11	Bearing	38382	---*	Shutter	34914
13	Front Bearing Mount	36763			
14	Motor	See Chart			
15	Motor Pulley	See Chart			
16	1/4" Sq. Key	2419-2			
17	Fan Pulley	35009			

*These components may be ordered as a Slant Wall Kit under Chore-Time Part No. 37272.

**Shutter must be ordered separately.

48" Belt Drive E-Z Fan Assembly (assembled)	48" Belt Drive E-Z Fan Kit (unassembled)	Motor Specifications and Part Numbers for 48" Fans					Motor Pulley Part No.	Motor Module Part No.
		H.P.	Hz.	Phase	Voltage	Motor Part No.		
37584-4800	37961-4800	--	--	--	--	--	35333	37271-LM
37584-4820	37961-4820	1	60	1	115/208-230	35874	35333	37271-2
37584-4830	37961-4830	1	50	1	115/220-240	35874	8773	37271-3
37584-4840	37961-4840	1	60	3	208-230/460	36143	35333	37271-4
37584-4850	37961-4850	1	50	3	208/380-415	36142	24697	37271-5
37584-4860	37961-4860	1	60	3	230/380-415	36142	35333	37271-6

Contact your nearby Chore-Time distributor or representative for additional parts and information.

Chore-Time Equipment, A Division of CTB, Inc.
P.O. Box 2000, Milford, Indiana 46542-2000 U.S.A.
Phone: 219-658-4101