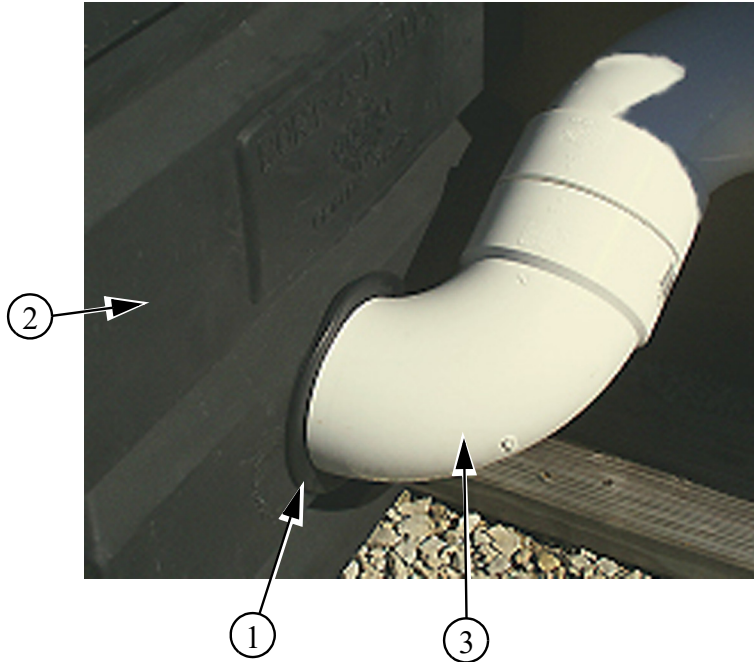




# TURBO-COOL™ 24" Trough Plumbing Kit

## Instruction (P/N 46963)

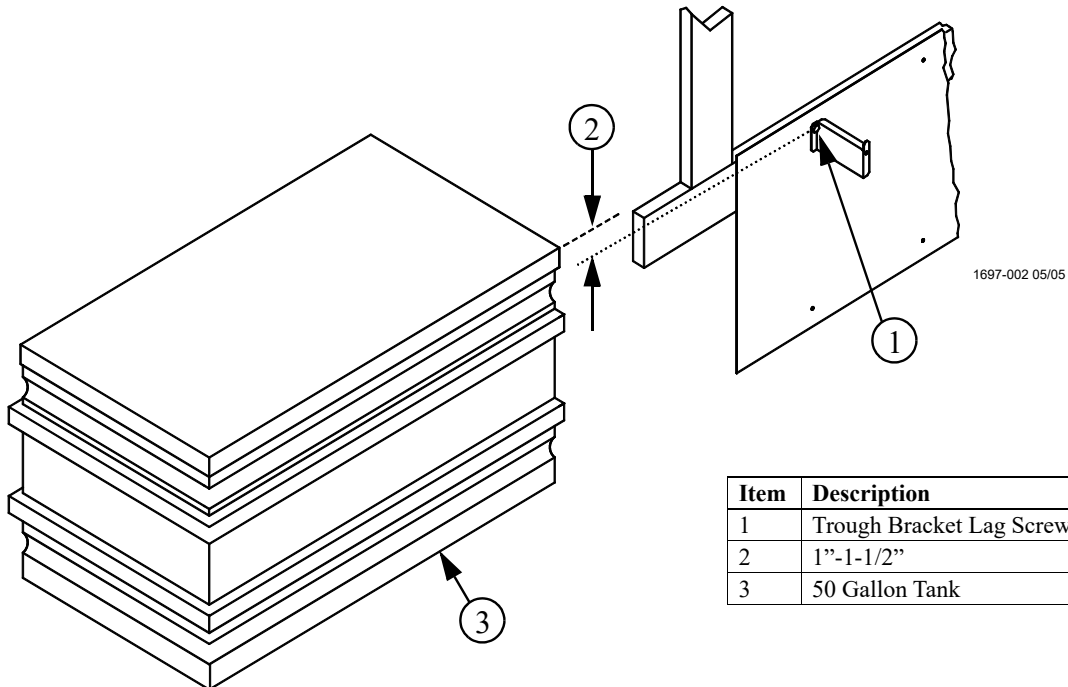
Install the 4" gasket into the hole in the 50 gallon tank (Tank part number 46989). (See Figure 1). Insert the 4" 90 degree Street Elbow through the 4" tank gasket. It may help to use water or soap when sliding PVC through the gaskets.



Item	Description
1	4" Gasket
2	50 Gallon Tank
3	4" 90 Deg. Street Elbow

Figure 1. Installing 90 deg. Elbow

Place the Tank in the desired location with the top of the Tank 1" - 1 1/2" above the Trough Bracket Lag Screws.



Item	Description
1	Trough Bracket Lag Screw
2	1"-1-1/2"
3	50 Gallon Tank

Figure2.

Install the remaining 4" gasket into the Tank End Insert.

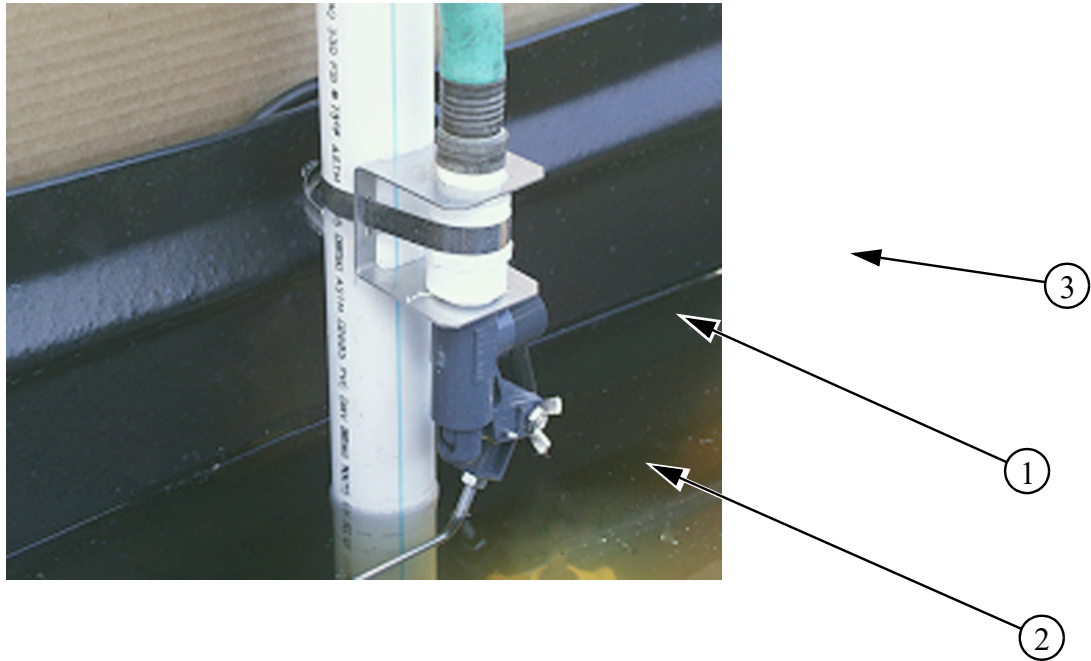
Place the Tank End Insert into the desired location and clamp into position using the supplied Insert Clamp Strap and hardware. See the Turbo-Cool Installation manual for further Insert instructions.

Determine the length of the of 4" PVC pipe needed to connect the supplied 4" 90 degree elbow to the Street elbow already installed in the end of the 50 gallon tank. Note that the 90 degree elbow will need to be in line with the hole in the Tank End Insert.

Slide the remaining PVC pipe into the Tank End Insert and connect to the 90 degree elbow.

Plumb the sump pump according to the instructions supplied in the Turbo-Cool Installation manual. Remember to keep the union, ball valve, and filter high enough above the tank lid to allow for easy lid removal.

Clamp the Kerick Water Valve to the water pipe coming out of the sump by using the supplied SS clamp. Connect the water supply. Initial water level should be 2" to 3" below the Trough Bracket lag screws. After charging the system with water for the first time, the valve may need adjusted up or down to achieve the desired water level (**See Figure 2**).



Item	Description
1	SS Clamp
2	Kerick Valve
3	50 Gallon Tank

**Figure 3. Kerick Valve Installation**

**Chore-Time Equipment a Division of CTB Inc.**  
**P.O. Box 2000 • Milford, Indiana 46542-2000 • U.S.A.**  
**Phone (574) 658-4101 • Fax (877) 730-8825**  
**E-Mail: [ctb@ctbinc.com](mailto:ctb@ctbinc.com) • Internet: <http://www.ctbinc.com>**