



## 40508 Proximity Sleeve Switch with 40511 Override Timer



The 40508 Proximity Sleeve Switch is for use on the MULTIFLO® Circulating Feeding Systems. The switch serves as the control to allow system operation and shut-off without un-necessary recirculation.

### Installation

Locate the Proximity Sleeve Switch on the inlet side of the Multiflo Boot, after the Service Section.

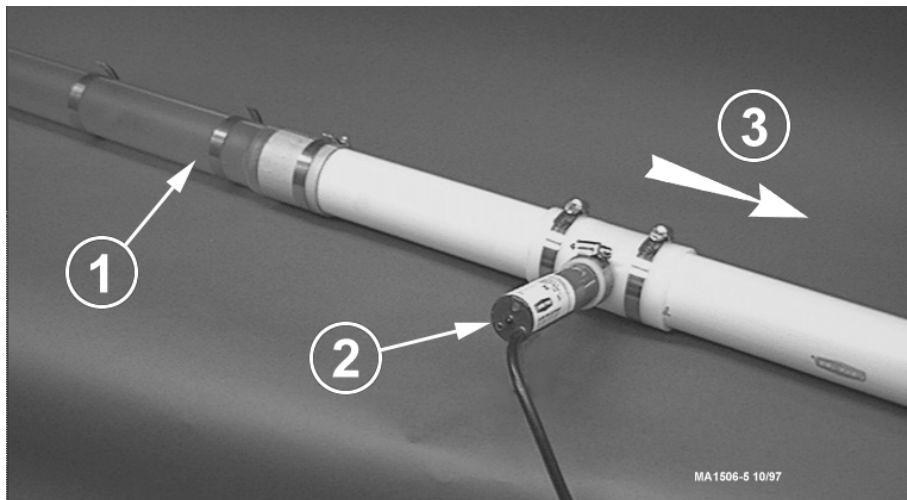


Figure 1. Proximity Switch Location

| Key | Description             |
|-----|-------------------------|
| 1   | Service Section         |
| 2   | Proximity Sleeve Switch |
| 3   | Direction of Feed Flow  |

The Proximity Sleeve Switch senses feed levels inside the Auger Tube and should be adjusted to sense the level provided by the fill system used. The Proximity Switch Body needs to be rotated to the center of the feeder loop and also should be set 20 - 30 degrees below horizontal, see **Figure 2**.

CTB Inc.

P.O. Box 2000 • Milford, Indiana 46542-2000 • U.S.A.

Phone (574) 658-4101 • Fax (877) 730-8825

E-Mail: [poultry@choretime.com](mailto:poultry@choretime.com) • Internet: <http://www.choretime.com>

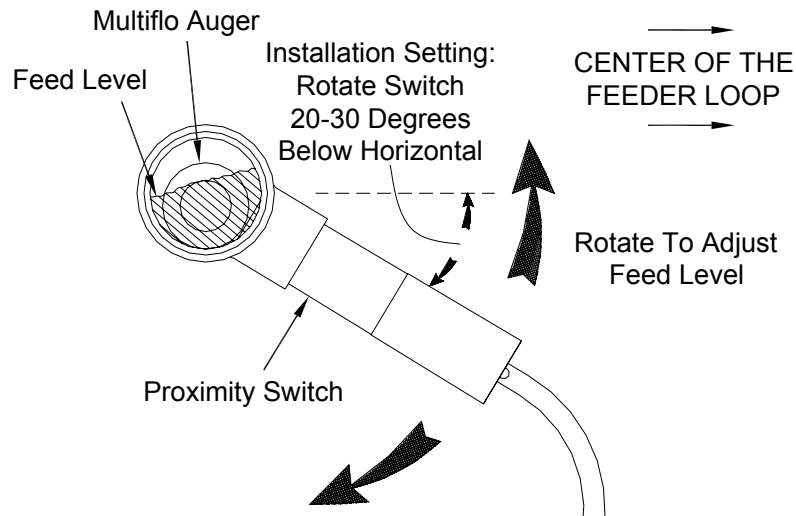


Figure 2. Switch Installation

### System Wiring:

**DISCONNECT ALL SOURCES OF ELECTRICAL POWER SUPPLYING THE SYSTEM BEFORE OPENING ANY ENCLOSURE OR SERVICING ANY EQUIPMENT. FAILURE TO DISCONNECT POWER MAY CAUSE INJURY OR DEATH.**

MULTIFLO SYSTEM CONTROL WIRING  
USING PROXIMITY SLEEVE SWITCH  
WITH OVERRIDE TIMER

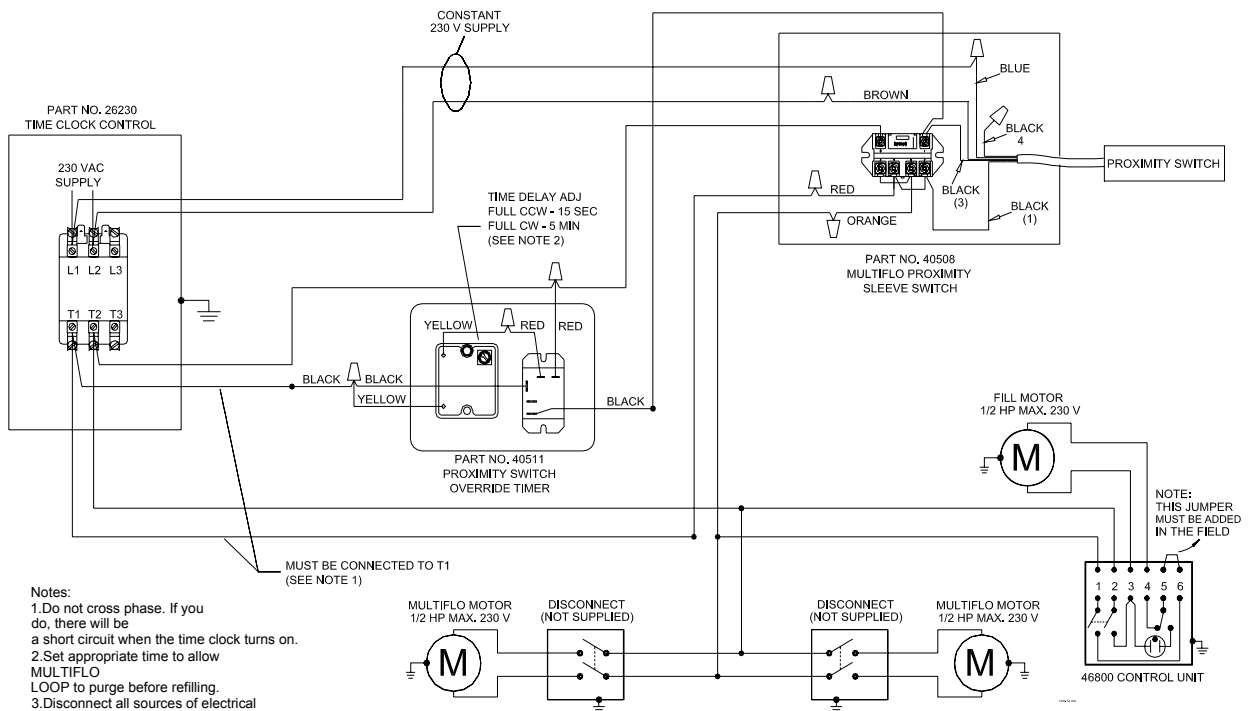


Figure 3. System Wiring

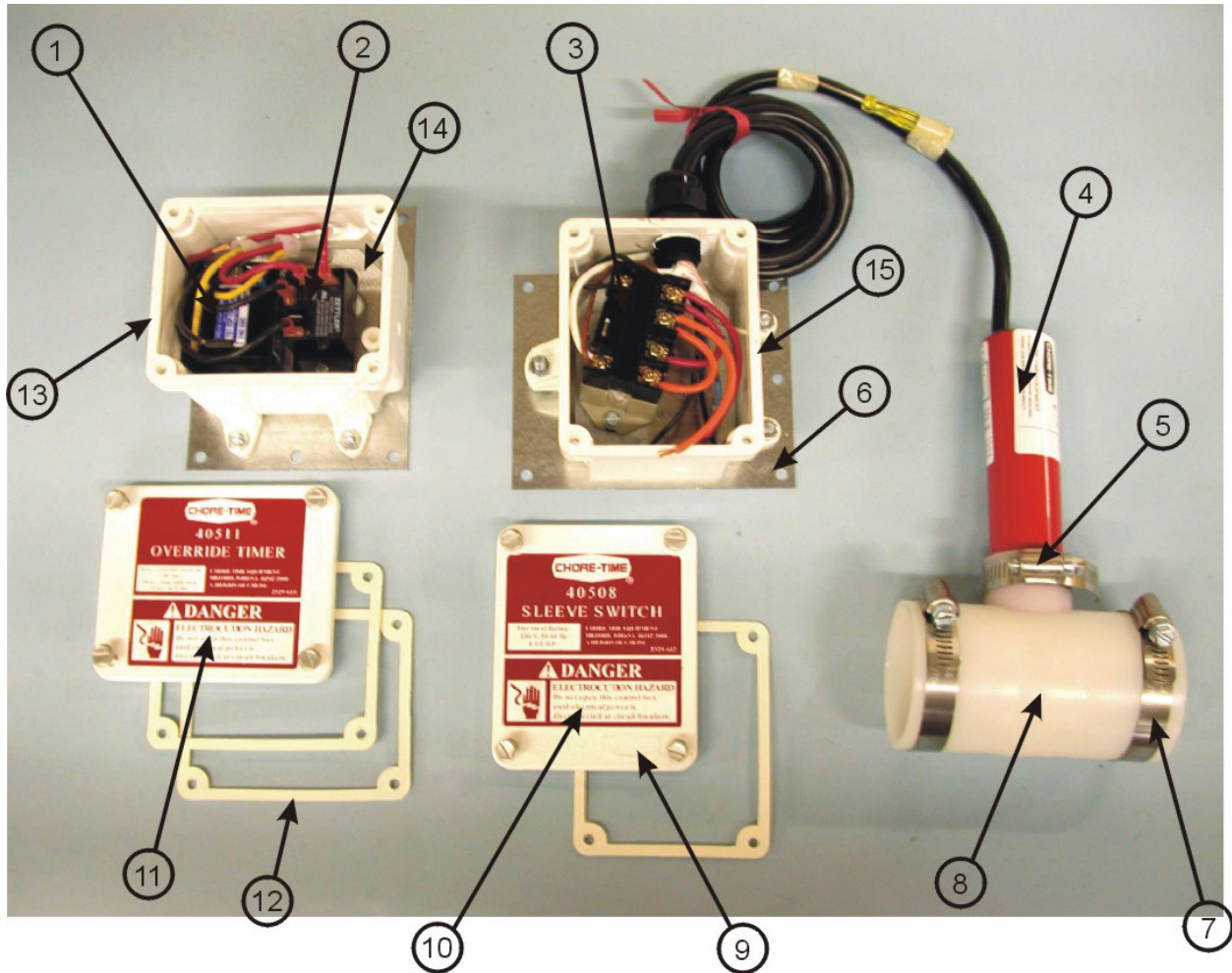
### System Operation:

The Multiflo System using the Proximity Sleeve Switch is designed to fill the circuit with feed starting at the Multiflo Boot, and continuing around the circuit until the feed reaches the Proximity Sleeve Switch. The Proximity Sleeve Switch then shuts off the Multiflo Circuit Motor or Motors and the Fill System Motor (on a single drop system).

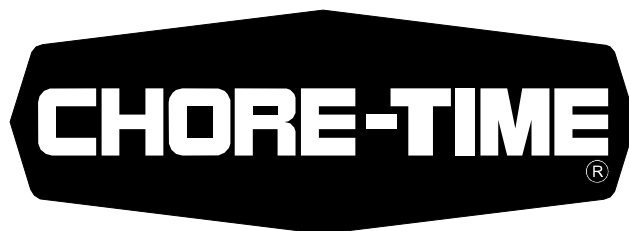
The next filling should begin with a fully charged Fill System and Multiflo® Loop System. The Override Timer allows the Fill System and Multiflo Loop System to start (with feed in front of the Proximity Sleeve Switch) by bypassing the Proximity Sleeve Switch, allowing the Multiflo Loop System to purge itself of feed and begin its sequential refilling. The Override Timer should be set (15 seconds to 5 minutes) to allow for purging of any feed in the system that might circulate back onto the Proximity Sleeve Switch before the full circuit is satisfied with feed. This amount of time should be adjusted to accommodate depopulated pens, crates, etc.

## Proximity Sleeve Switch: Part No. 40508

## Override Timer: Part No. 40511



| Item | Description             | Part No. |
|------|-------------------------|----------|
| 1    | On Delay Timer          | 24209    |
| 2    | Relay                   | 34702    |
| 3    | DPST Relay              | 34654    |
| 4    | Prox Switch             | 36867    |
| 5    | 1-7/8" Clamp            | 3527     |
| 6    | Relay Mount PLate       | 28701    |
| 7    | 2-3/4" Clamp            | 8643     |
| 8    | Proximity Switch Sleeve | 39157    |
| 9    | Cover                   | 6776     |
| 10   | Danger Decal            | 2529-612 |
| 11   | Danger Decal            | 2529-611 |
| 12   | Switch box gasket       | 6777     |
| 13   | Switch box              | 7841     |
| 14   | Box plate               | 24312    |



**Made to work.<sup>SM</sup>**

**Built to last.**

Contact your nearby Chore-Time distributor or representative for additional parts and information.

CTB Inc.  
P.O. Box 2000 • Milford, Indiana 46542-2000 • U.S.A.  
Phone (574) 658-4101 • Fax (877) 730-8825  
E-mail: [poultry@choretime.com](mailto:poultry@choretime.com) • Internet: <http://www.choretime.com>

Printed in the U.S.A.