



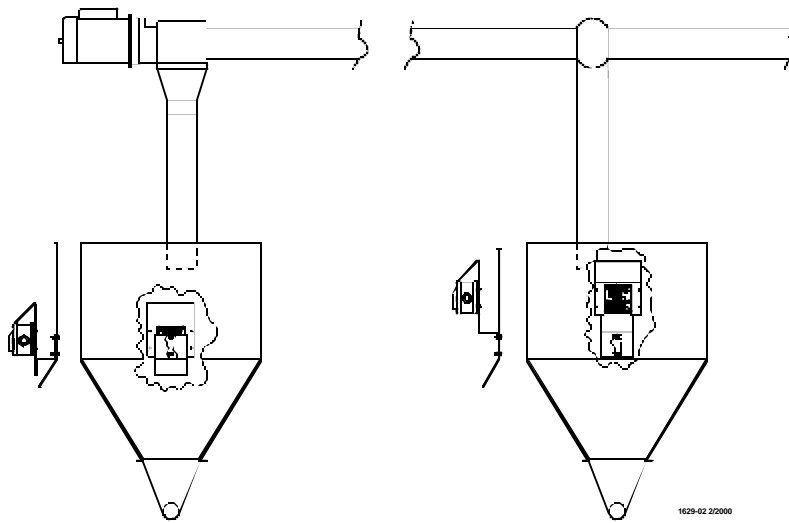
SENSOR PLUS™ Hopper Level Control

Part Number 42613

The SENSOR PLUS™ Hopper Level Control is designed for use with any conveying system that carries free-flowing feed. The control automatically starts and stops the fill system as feed level against the sensor changes.

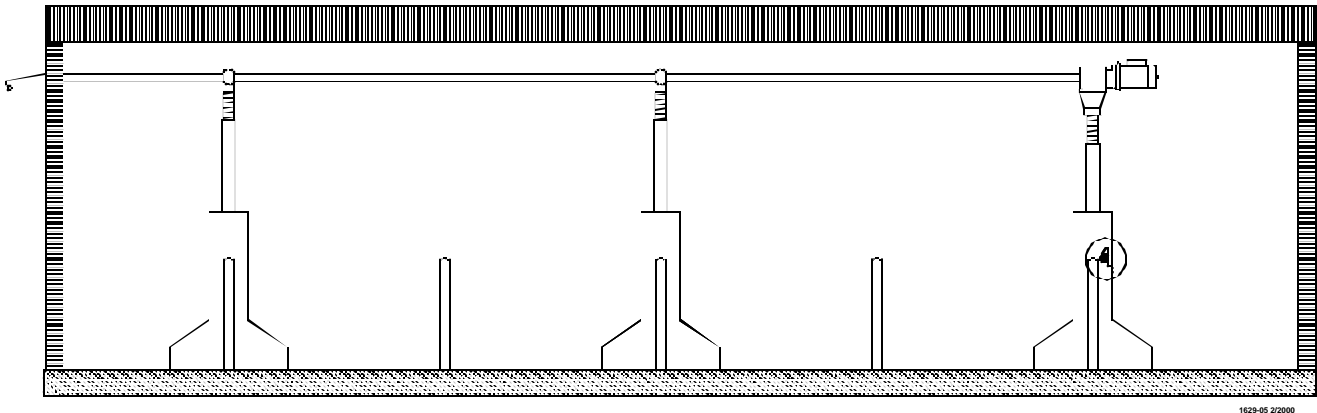
Poultry Application

NOTE: In poultry applications, switches may be placed in more than one hopper to assure that no hopper empties before the control unit hopper requires feed. All switches must be wired in parallel so that any one switch can start the system.



Hog Application

NOTE In most hog installations, the control is installed in the last hopper that is located at the end of the delivery system.



Installation

Install the control in the last hopper which is located at the end of the delivery system. **Mount it low so the feed level will be lower in that hopper than in the others.** The lower feed level will cause the system to start frequently enough to maintain the feed level in every hopper and provide a reservoir for the feed in the fill system if another hopper calls for feed. Position the feed drop tube to deliver feed to the center and near the top of the hopper, in front of the sensor. Position the drop tubes and switches high in the other hoppers so that they fill but do not overflow.

Mount the Hopper Level Control vertically, as shown in **Figure 1**. Drill two 9/32" [7.2 mm] holes at the desired location. Use the bracket as a guide to determine the hole spacing. Fasten the bracket in place with the hardware supplied. Install the Control in the Mounting Bracket Assembly. The control may be removed for switch adjustment or for house clean-out.

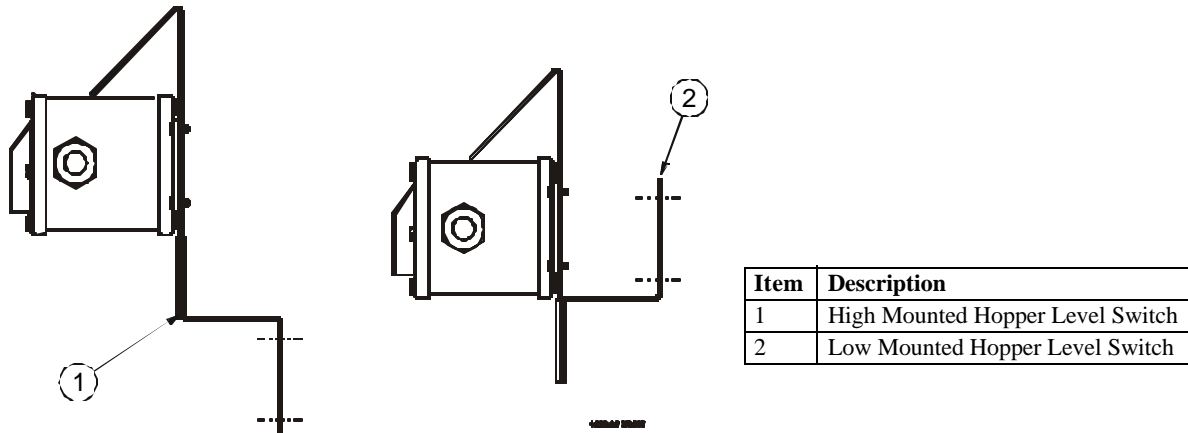


Figure 1. The Hopper Level Control Mounted Vertically

Switch Adjustment

The SENSOR PLUS Hopper Level Switch is adjusted at the factory to a time delay of 15 seconds, the delay may be changed for a specific installation.

To adjust the Time Delay:

- For less time — turn Time Delay Adjusting Screw counter-clockwise
- For more time — turn Time Delay Adjusting Screw clockwise

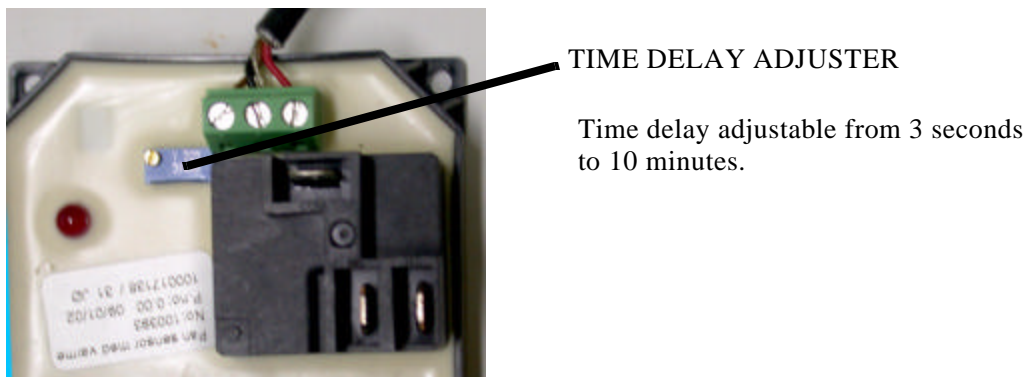


Figure 2. Adjusting the SENSOR PLUS Proximity Switch

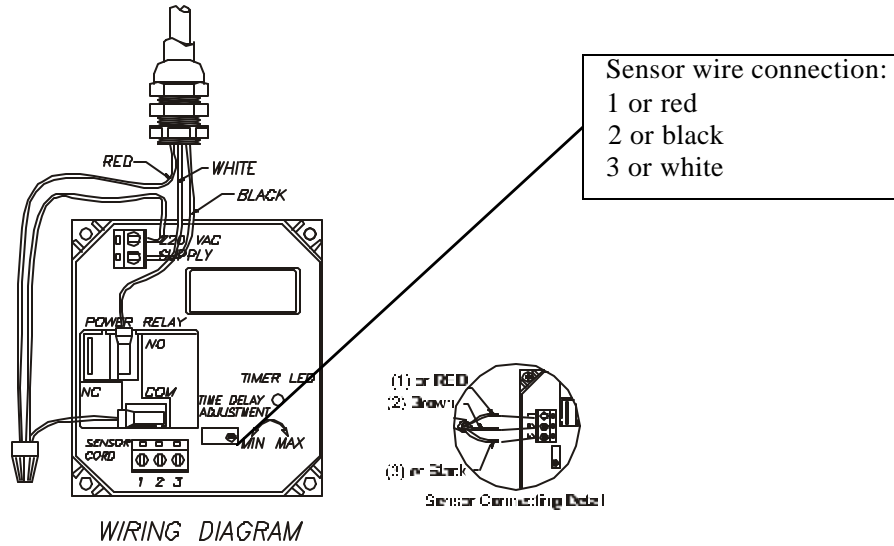
Internal Wiring

DANGER: Electrical Hazard

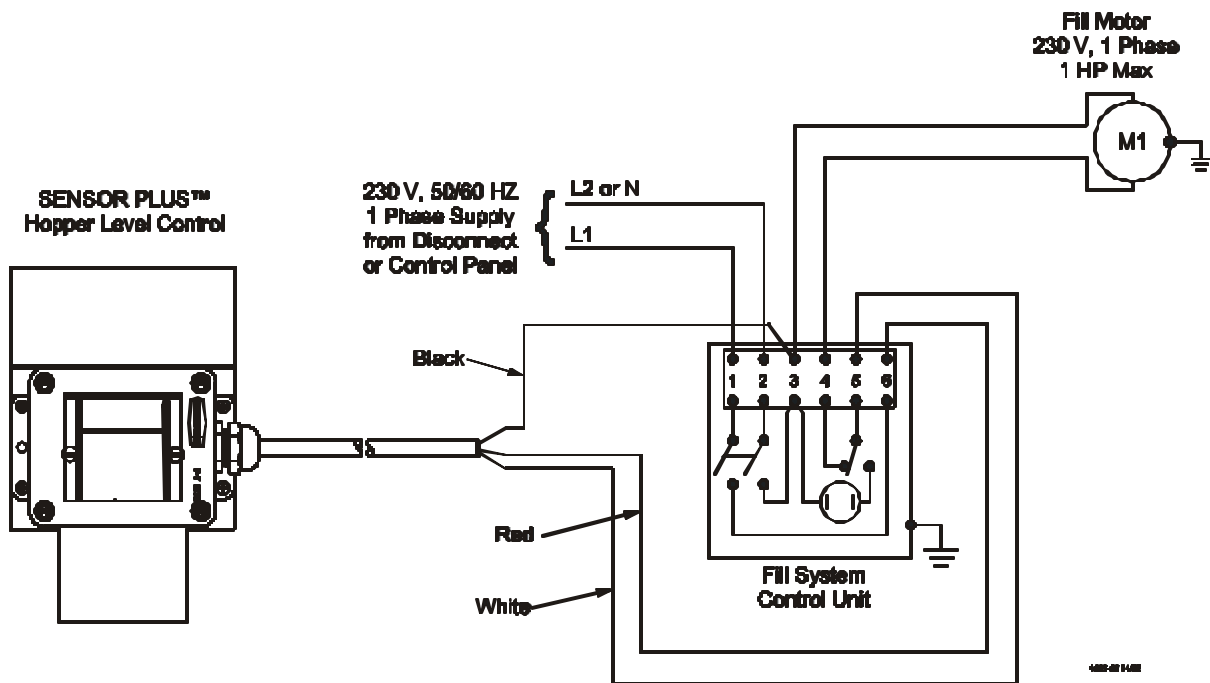
IMPORTANT Disconnect electrical power before inspecting or servicing equipment unless maintenance instructions specifically state otherwise.

Ground all electrical equipment for safety.

All electrical wiring must be done by a qualified electrician in accordance with local and national electric codes.

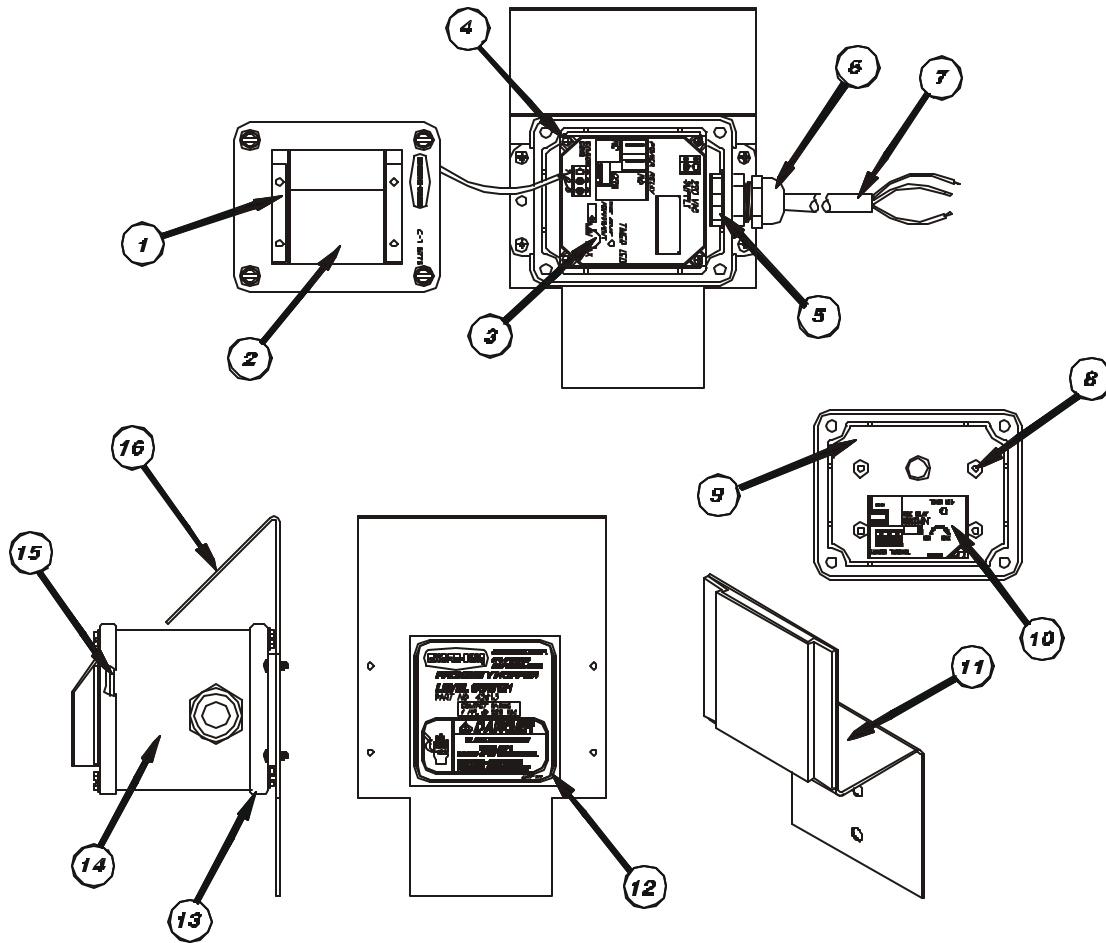


Wiring to the Fill System Control Unit



SENSOR PLUS™ Hopper Level Control Parts List

42613 Hopper Level Switch



Parts List

Item	Part No.	Description
1	46314	Sensor retainer
2	46165	Sensor Plus Assembly
3	46165	Sensor Plus Assembly
4	35493	#4-24 x 3/8" Phil head screw
5	43662	15/32" Plastic nut
6	24685	Liquid tight connector
7	4999-101	Cord assembly
8	771	#6-32 Nut
9	42611	Machined cover
10	2526-407	Adjuster decal
11	2911	Switch mount bracket
12	2529-714	Hopper level decal
13	6956	Mount cover
14	42627-1	Machined box
15	6777	Gasket for white box
16	42612	Hopper switch support bracket

Chore-Time Equipment a Division of CTB Inc.
 P.O. Box 2000 • Milford, Indiana 46542-2000 • U.S.A.
 Phone (574) 658-4101 • Fax (800) 333-4191
 E-Mail: ctb@ctbinc.com • Internet: <http://www.ctbinc.com>