



SENSOR PLUS™ Drop Tube Switch with Heater

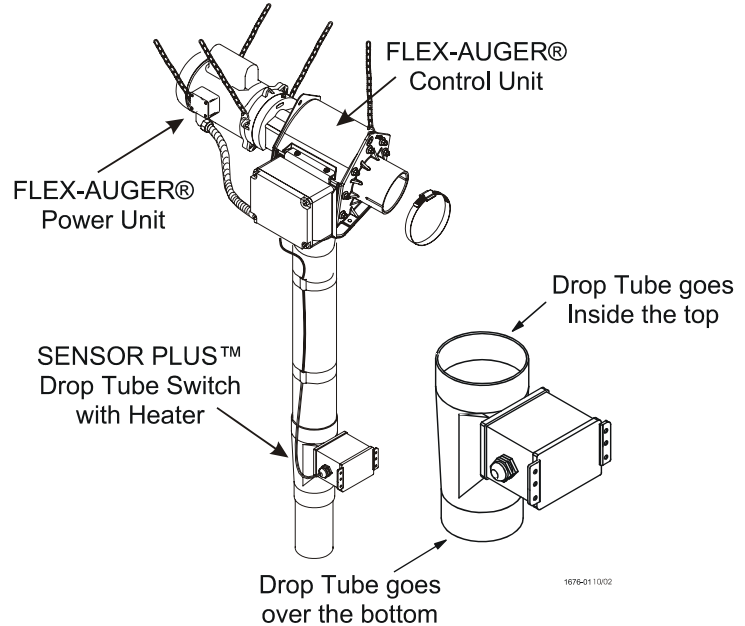
Part Number 46316

Introduction

The SENSOR PLUS™ Drop Tube Switch with Heater has been designed to work with the Model 55, 75, 90, and HMC FLEX-AUGER® Fill Systems.

The SENSOR PLUS™ Drop Tube Switch with Heater has a built in heater to dissipate moisture around the sensor.

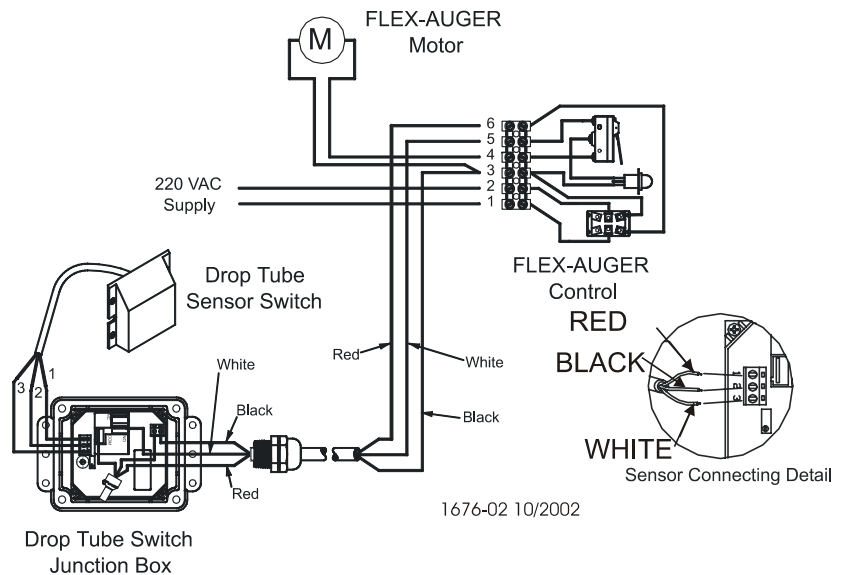
The SENSOR PLUS™ Drop Tube Switch with Heater can be installed to the Control Unit Funnel or in-line on the Drop Tube.



Wiring Diagram

See diagram at right.

1. "RED" wire from Drop Tube Switch to terminal number 6 in the FLEX-AUGER Control.
2. "BLACK" wire from Drop Tube Switch to terminal number 3 in the FLEX-AUGER Control.
3. "WHITE" wire from Drop Tube Switch to terminal number 5 in the FLEX-AUGER Control.



46316 DROP TUBE SWITCH WIRING DIAGRAM

Chore-Time Equipment a Division of CTB Inc.
P.O. Box 2000 • Milford, Indiana 46542-2000 • U.S.A.
Phone (574) 658-4101 • Fax (877) 730-8825

Time Delay Adjustment

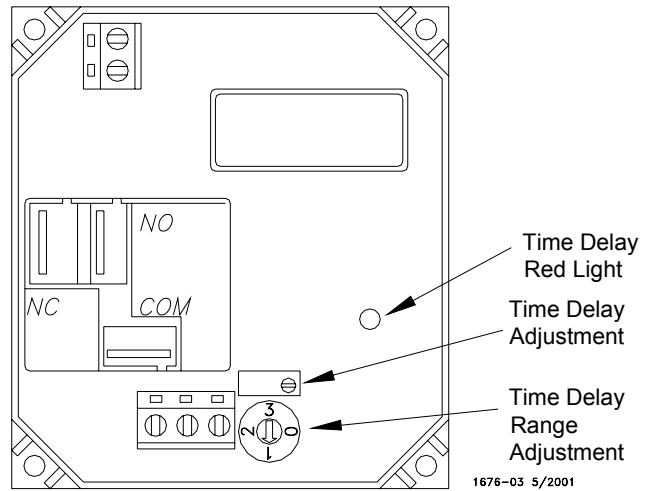
The time delay is set at the factory at 10 to 15 seconds.

1. Select a time delay range for the SENSOR PLUS switch. The ranges are:

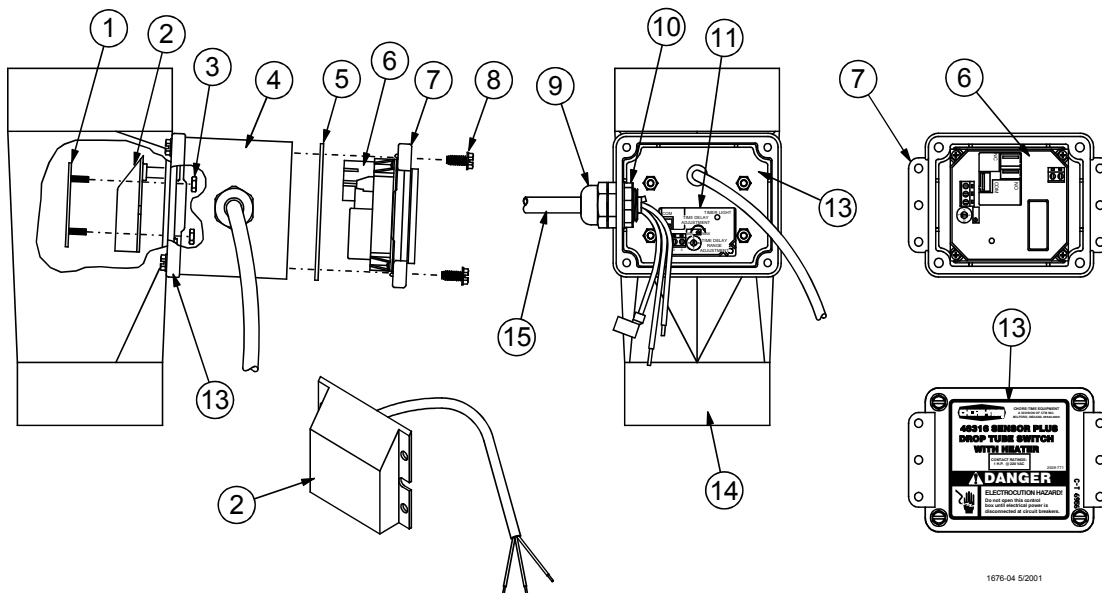
- 0 0 to 5 minutes
- 1 0 to 10 minutes
- 2 0 to 30 minutes
- 3 0 to 60 minutes

2. With power applied, locate the Time Delay Red Light in the junction box. A slow blinking light means that the time delay is long.

3. Turning the Time Delay Adjustment counter-clockwise will shorten the time delay and make the light blink faster, turning the Time Delay Adjustment clockwise will lengthen the time delay and make the light blink slower.



SENSOR PLUS Drop Tube Switch Parts List



| Item | Description | Part No. |
|------|---------------------------------------|----------|
| 1 | Screw Assembly | 46314 |
| 2 | Machined Sensor with Heater | 46266 |
| 3 | #6-32 Nut | 771 |
| 4 | Machined Junction Box | 42627-1 |
| 5 | Gasket | 6777 |
| 6 | Sensor Plus Circuit Board with Heater | 46266 |
| 7 | Junction Box Bottom Cover | 6956 |
| 8 | #10 Screw | 28075 |

| Item | Description | Part No. |
|------|-------------------------------------|----------|
| 9 | 1/2" Water Tight Connector | 23779 |
| 10 | Plastic Conduit Lock Nut | 43662 |
| 11 | Adjustment Decal | 2526-409 |
| 12 | Machined Junction Box Cover | 46313 |
| 13 | Danger/Product Identification Decal | 2529-771 |
| 14 | Drop Tube Housing | 46315 |
| 15 | Cord Assembly | 4999-106 |