



# SENSOR PLUS™ Drop Tube Switch with Heater

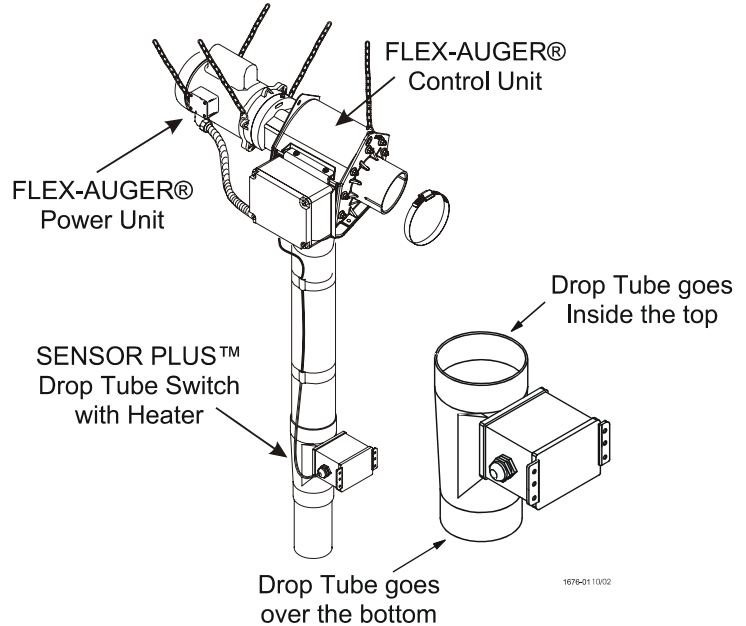
Part Number 46316

## Introduction

The SENSOR PLUS™ Drop Tube Switch with Heater has been designed to work with the Model 55, 75, 90, and HMC FLEX-AUGER® Fill Systems.

The SENSOR PLUS™ Drop Tube Switch with Heater has a built in heater to dissipate moisture around the sensor.

The SENSOR PLUS™ Drop Tube Switch with Heater can be installed to the Control Unit Funnel or in-line on the Drop Tube.

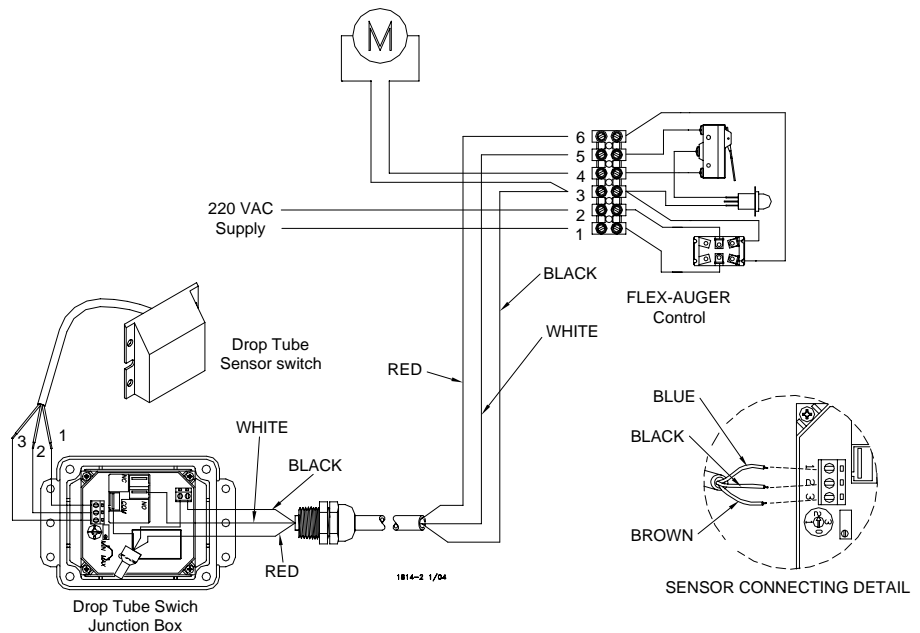


## Wiring Diagram

All wiring must be done by a qualified electrician in accordance with local and national codes.

See diagram at right.

1. "RED" wire from Drop Tube Switch to terminal number 6 in the FLEX-AUGER Control.
2. "BLACK" wire from Drop Tube Switch to terminal number 3 in the FLEX-AUGER Control.
3. "WHITE" wire from Drop Tube Switch to terminal number 5 in the FLEX-AUGER Control.



46316 DROP TUBE SWITCH WIRING DIAGRAM

Chore-Time Poultry Production Systems, a Division of CTB, Inc.

P.O. Box 2000 • Milford, Indiana 46542-2000 • U.S.A.

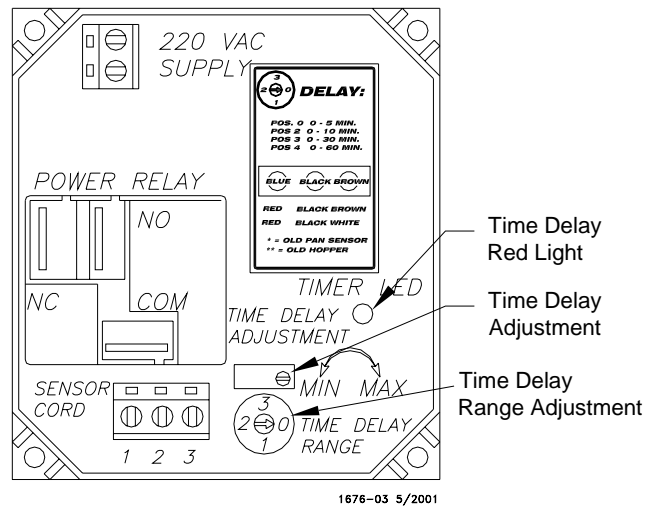
Phone (574) 658-4101 • Fax (877) 730-8825

E-Mail: poultry@choretime.com • Internet: www.choretimepoultry.com

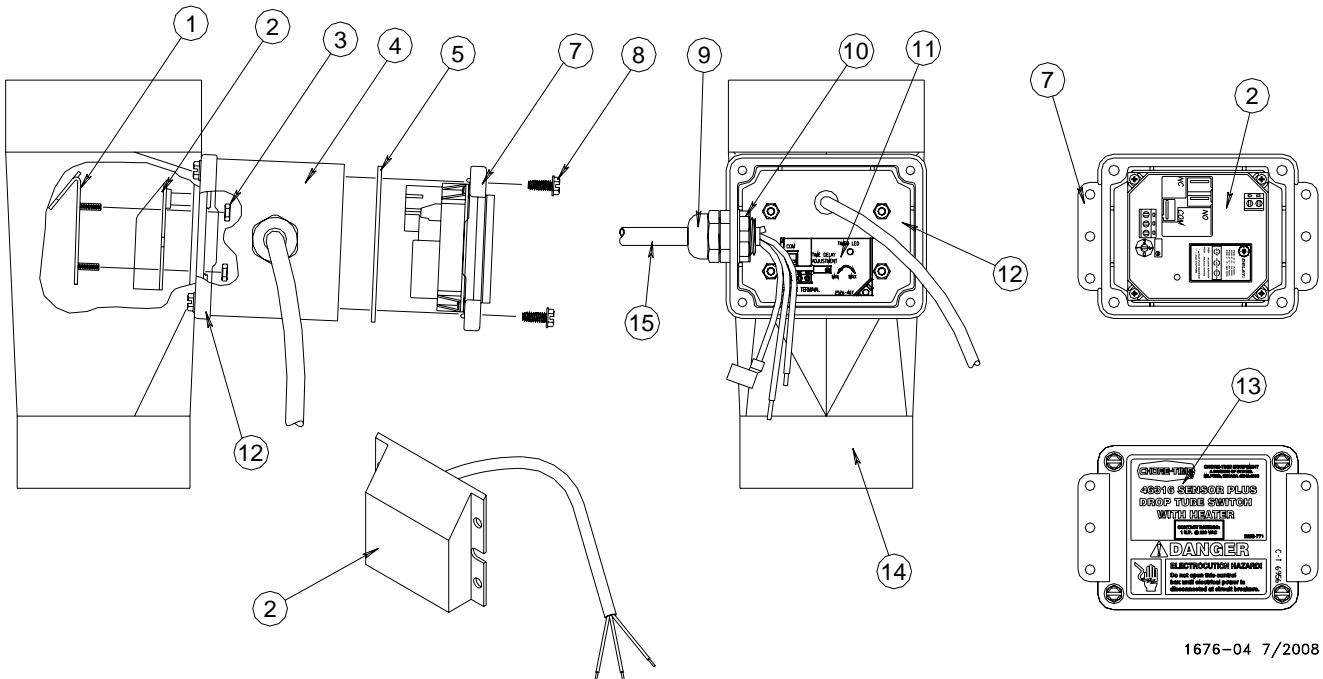
## Time Delay Adjustment

The time delay is set at the factory at 10 to 15 seconds.

- Select a time delay range for the SENSOR PLUS switch. The ranges are:
  - 0 to 5 minutes
  - 0 to 10 minutes
  - 0 to 30 minutes
  - 0 to 60 minutes
- With power applied, locate the Time Delay Red Light in the junction box. A slow blinking light means that the time delay is long.
- Turning the Time Delay Adjustment counter-clockwise will shorten the time delay and make the light blink faster, turning the Time Delay Adjustment clockwise will lengthen the time delay and make the light blink slower.



## SENSOR PLUS™ Drop Tube Switch Parts List



| Item | Description                              | Part No. |
|------|--|----------|
| 1    | Sensor Retainer                          | 51055    |
| 2    | Switch, Sensor Plus Level Ass'y w/Heater | 48579    |
| 3    | #6-32 Nut                                | 771      |
| 4    | Machined Junction Box                    | 42627-1  |
| 5    | Gasket                                   | 6777     |
| 6    | ---                                      | ---      |
| 7    | Junction Box Bottom Cover                | 6956     |
| 8    | #10 Screw                                | 28075    |

| Item | Description                         | Part No. |
|------|-------------------------------------|----------|
| 9    | 1/2" Water Tight Connector          | 23779    |
| 10   | Plastic Conduit Lock Nut            | 43662    |
| 11   | Adjustment Decal                    | 2526-409 |
| 12   | Machined Junction Box Cover         | 42611    |
| 13   | Danger/Product Identification Decal | 2529-771 |
| 14   | Drop Tube Housing                   | 46315    |
| 15   | Cord Assembly                       | 4999-106 |