



WEIGH-MATIC® Model 90 Screener

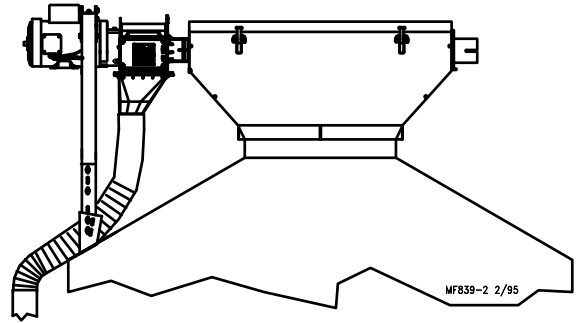
Installation Instructions

Part Number 47730

Introduction

The Model 90 WEIGH-MATIC® Feed Screener is designed to screen foreign objects from the feed. It is used primarily with the ULTRAPAN® and ULTRAFLO® Feeding Systems.

It is recommended to install and anchor the feed bin **prior** to the Feed Screener installation. The feed bin should be assembled without the lid installed.



Contact your nearby Chore-Time distributor or representative for additional parts and information.

CTB Inc.
P.O. Box 2000 • Milford, Indiana 46542-2000 • U.S.A.
Phone (574) 658-4101 • Fax (877) 730-8825
E-Mail: poultry@choretime.com • Internet: <http://www.choretime.com>

Printed in the U.S.A.

Installation

Refer to the parts list on the adjacent page for the following installation steps.

1. Install the Gasket (**5928**) to the Fill Collar of the bin.
2. Place the Screener Body (**25446**) to the top of the feed bin. The Feed Screener should be in line with the direction the supply fill system will run.
3. Install the Extruded Plates (**22084**), Gaskets, Anchor Tube (**5069**), and Control Unit (**46800-23**) with the 5/16-18 hardware supplied.
4. The Screen is shipped in halves (**7436**) and must be assembled. Install the Screens on the flanges of the Extruded Plates (**22084**). Position the Screen seam at 30° C.C.W rotation from horizontal when facing the inlet end and secure both ends with Adjustable Clamps (**47652-1**).

Install the Screen Retainers (**24796**) on the seams of the two Screens. Use the Adjustable Clamps to secure the Screen Retainers in place and to bring the Screens into proper roundness. They should be tightened enough to allow the Auger to move freely inside the Screens. Do not overtighten the Clamps.

Each of the four Clamps should be positioned approximately 1.5" [3.8cm] from the end of the model 90 Screen Retainers. See **Figure 1**.

5. Fasten the Driver Assembly (**25705**) to the Power Unit output shaft, then bolt to the Control Unit using 5/16-18 hardware supplied. The Agitator (**47717**) will extend through the Control Unit and into the center of the Screener. Be sure to install the Drive Roll Pin through the Driver and Agitator to secure.
6. Assemble the Motor Support Kit. The Motor Support bolts to the top of the Feed Bin using self-drilling screws and gasket washers supplied. Install the "U" Bolt (**28874**) to the Top Channel (**25469**) as shown in parts listing. Suspend the Power Unit (**3259-52**) from the Motor Support using the "U" Bolt and the "S" Hook.
7. Fasten the Flexible drop Tube (**48032**) to the Funnel of the Control Unit. Attach a piece of Drop Tube (part number 9900, not supplied) from the Flexible Drop Tube to a container on the concrete pad. The container will be used to catch the foreign material from the Feed Screener.
8. Install the Weigh Bin Fill System as specified in the FLEX-AUGER® Installation Manual.
9. Mount the Screener Junction Box (**46071**) to a bin leg using hardware supplied.

Parts Listing

WEIGH-MATIC Model 90 Screener #47730

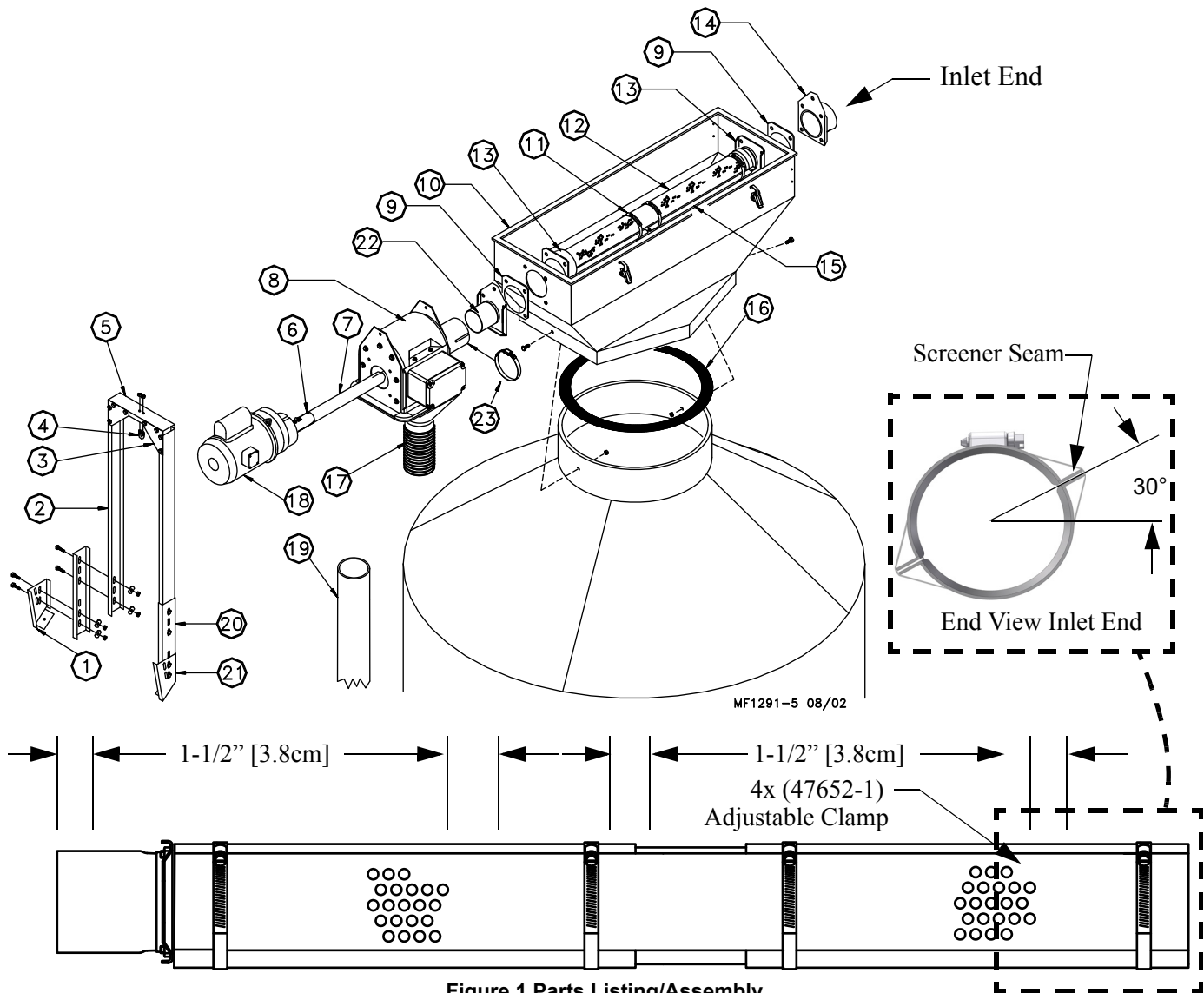


Figure 1.Parts Listing/Assembly

Item	Description	Part No.
1**	Foot (R.H.)	25467-2
2**	Support Channel	25468
3**	Corner Support	25470
4**	"U" Bolt	28874
5**	Top Channel	25469
6*	Driver Assembly	25705
7*	Agitator	47717
8	Control Unit Head	46800-23
9	Seal	4873
10	Screener Body	25446
11	Clamp	6183
12	Screen	7436

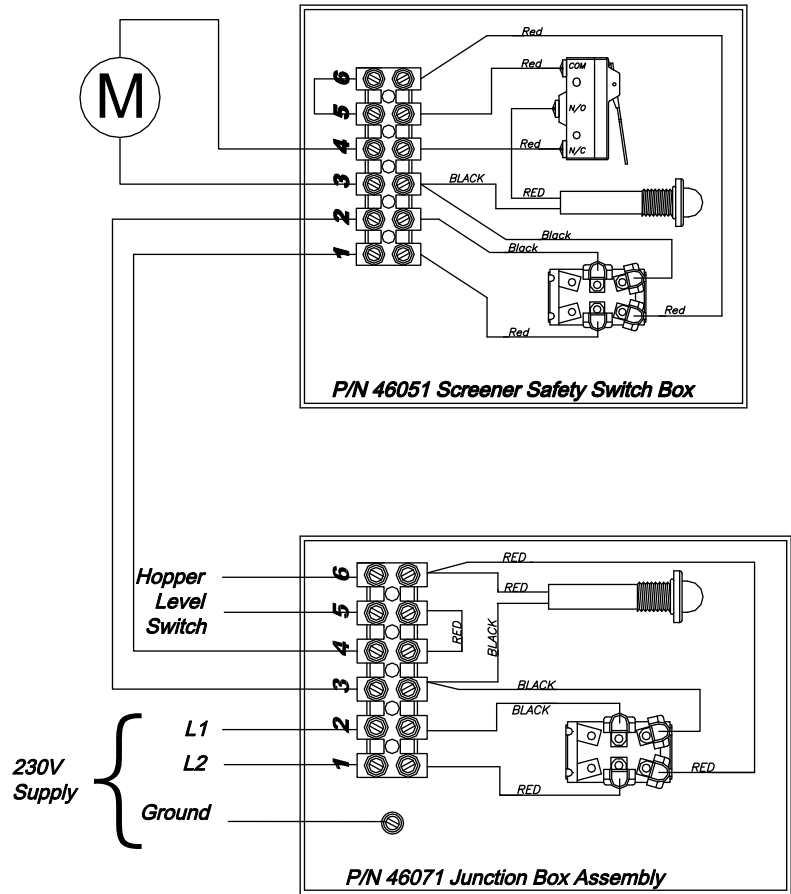
Item	Description	Part No.
13	Extruded Plate	22084
14	Anchor Tube	5069
15	Screen Retainer	24796
16	Lid Seal Gasket	5928
17	Flexible Drop Tube	48032
18	Power Unit (not component of 47730)	3259-52
19	Drop Tube (not supplied with Screener)	6381
20**	Support Channel Extension	35800
21**	Foot (L.H.)	25467-1
22	Control Anchor	47715
23	H.D Adjustable Clamp	47652-1
—§	Junction Box Assembly	46071
—	Screener Cover	25701

*May be ordered as an assembly under Part Number 47722.

**May be ordered as an assembly under Part Number 47731.

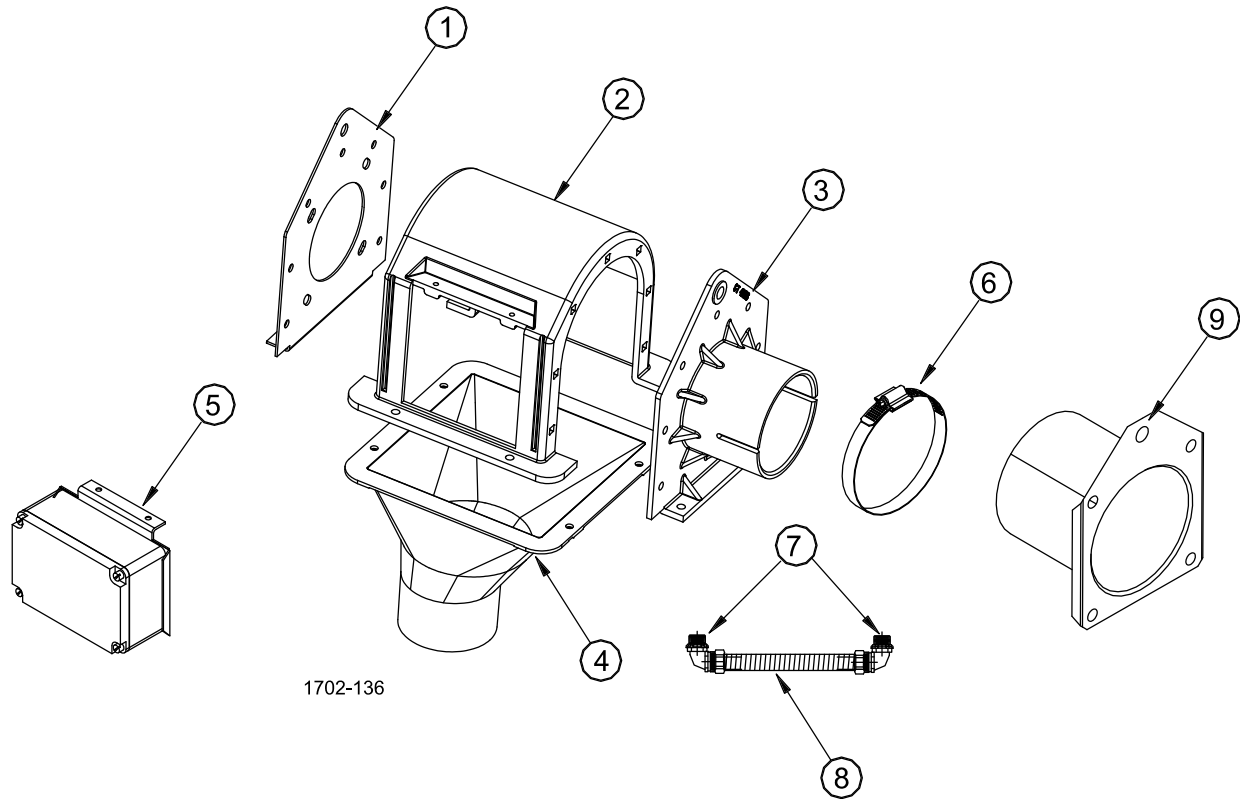
Junction Box not shown. See individual parts list.

10. Wire the system according to the diagram below.



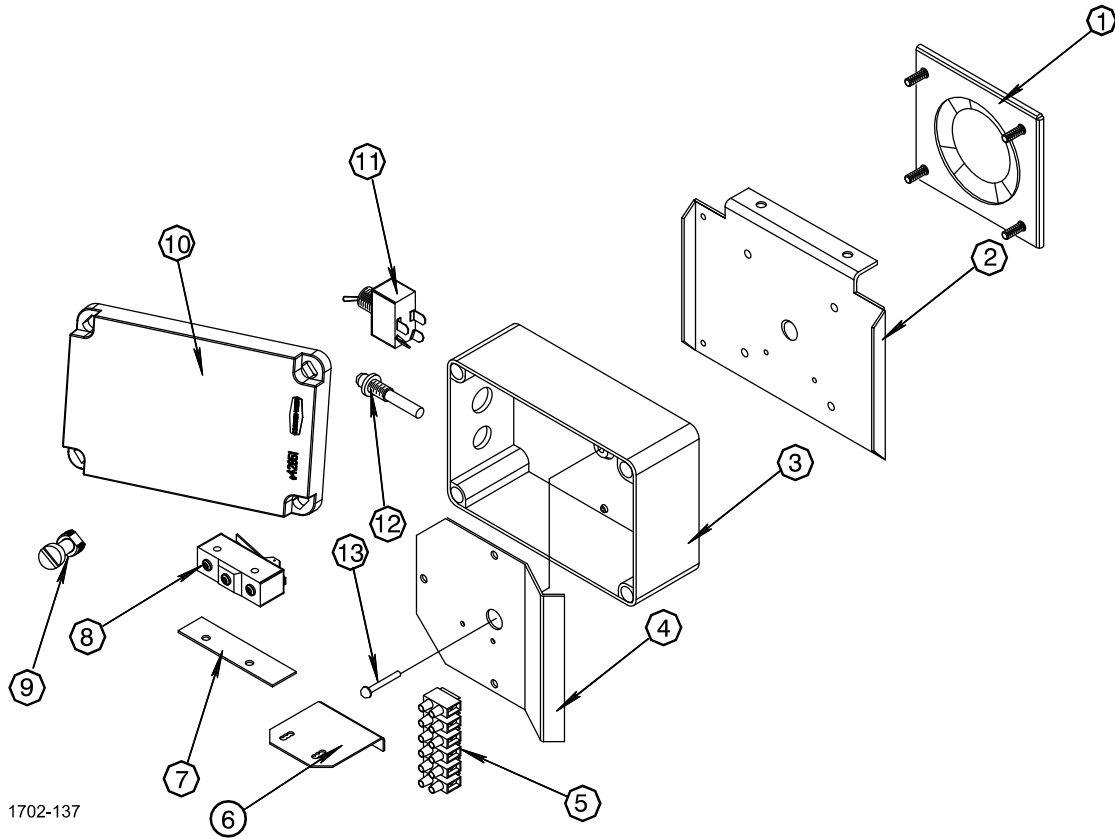
11. Place the Screener Cover on top of the Screener and secure it in place using over-center clamps.

Single Phase Screener Control Unit (46800-23)



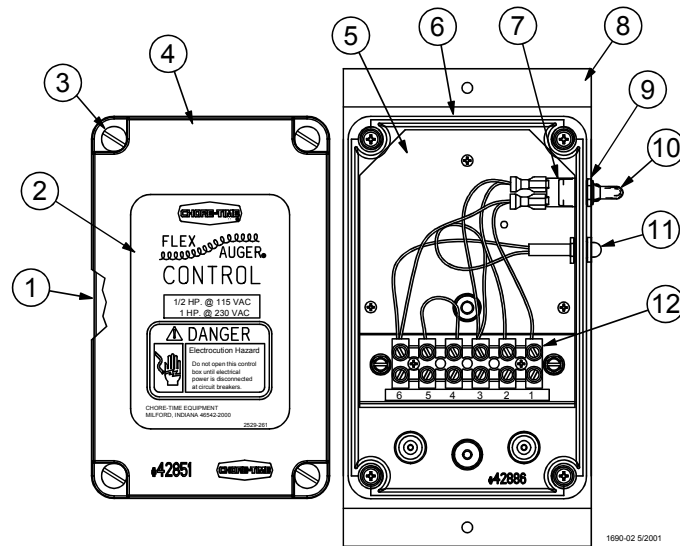
Item	Description	Part No.
1	Gearhead End Plate	43596
2	Control Unit Body	43601
3	Tube Anchor Plate	45926
4	Control Unit Funnel	45943-2
5	Switch & Plate Assembly	46051
6	H.D. Adjustable Clamp	47652-1
7	Water Tight Connector	23810
8	Non Metal Flex Conduit	26982-10
9	Control Anchor Weldment	47715

Switch & Plate Assembly (46051)



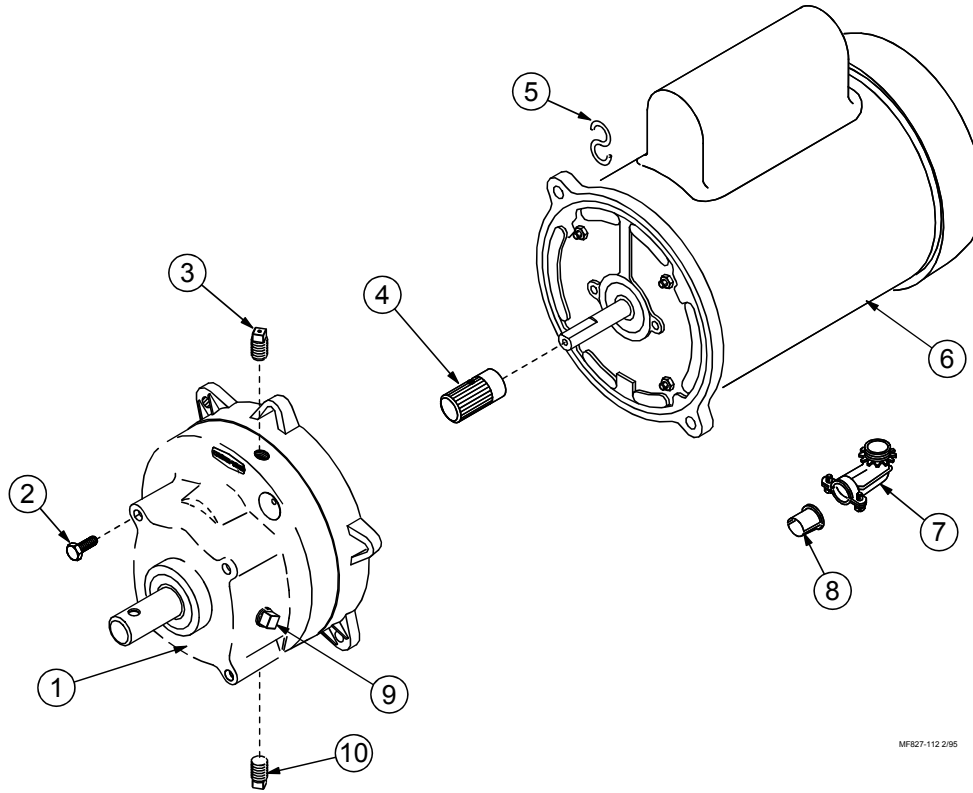
Item	Description	Part No.
1	Diaphragm Assembly	46159
2	Switch Cover Plate	46030
3	4 x 6 Electrical Box	46070-1
4	Mount Panel	46072
5	Terminal Block	34925-6
6	Switch Bracket	46093
7	Switch Insulation	1907-5
8	Micro Switch	46091
9	Plastic Screw	42849
10	4 x 6 Elect Box Cover	42851
11	Toggle Switch	7767
12	Pilot Switch	46047
13	3/16 x 1.00 Rivet	46905

Junction Box Assembly (46071)



Item	Description	Part No.
1	Gasket	42854
2	Control Decal	2529-261
3	Plastic Screw	42849
4	Electric Box Cover	42851
5	Mount Panel	46072
6	Machined Electrical Box	43883-1
7	Toggle Switch	7767
8	Box Mount Panel	46069
9	Shoulder Nut	13407
10	Switch Boot	13406
11	Pilot Light	46047
12	6 Position Terminal Block	34925-6

Model 90 Screener Power Units



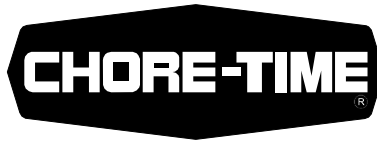
MF827-112 2/95

Item	Description	3259-52 Part No.	3259-88 Part No.	3259-104 Part No.
1	Gearhead Assembly	3261-7	3261-10	3261-10
2	5/16-18 x 5/8" Hex Head Machine Screw	4412-1	4412-1	4412-1
3	Vent Plug	3523	3523	3523
4	Pinion Assembly	5046	5046	5046
5	"S" Hook	4270	4270	4270
6	Motor	5051	6305	28034EUR
7	90 Degree Connector	4228	4228	4228
8	Anti-Short Bushing	6304	6304	6304
9	Pipe Plug	2755	2755	2755
10	Magnetic Pipe Plug	30160	30160	30160

Power Unit Assembly Part Numbers:

Part No.	HP	RPM	Phase	Hz	Voltage
3259-52	3/4 HP	348 RPM	Single Phase	60 Hz	230
3259-88	3/4 HP	348 RPM	Single Phase	50 Hz	220/380
3259-104	3/4 HP	348 RPM	Three Phase	50 Hz	220/380

This page left blank intentionally.....



**Made to work.
Built to last.**

Revisions to this Manual

Page No.	Description of Change
Various	Added Detail to Screener Assembly, Updated some manual formatting.

Contact your nearby Chore-Time distributor or representative for additional parts and information.

CTB Inc.
P.O. Box 2000 • Milford, Indiana 46542-2000 • U.S.A.
Phone (574) 658-4101 • Fax (877) 730-8825
E-Mail: poultry@choretime.com • Internet: <http://www.choretime.com>

Printed in the U.S.A.