

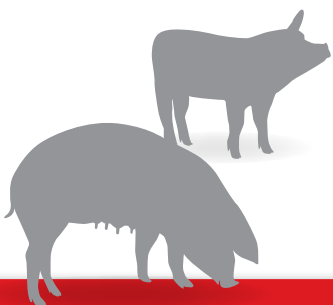
**CHORE-TIME**<sup>®</sup>



## **FLEX-AUGER**<sup>®</sup>

### **FEED DELIVERY SYSTEMS**

- › Proven centerless auger concept invented by Chore-Time
- › Nearly 60 years of reliable performance and improvements
- › Keeps feed fresh
- › Energy-efficient operation
- › Developed and designed specifically for hog house environments



# FLEX-AUGER®

## FEED DELIVERY SYSTEMS

It is hard to imagine a modern hog production facility without a centerless, flexible auger for the feeder fill system. FLEX-AUGER® Coreless Auger Feed Delivery System was invented by Chore-Time in 1961. In the years since then, Chore-Time's FLEX-AUGER System has proven to be the most reliable and best system ever devised to deliver feed. While it has been often imitated, the FLEX-AUGER System with all of its benefits has never been equaled!

### The reliable original – often imitated, but never equaled

Highly energy-efficient, extremely long-wearing and trouble-free – that's how Chore-Time's FLEX-AUGER® Systems are known around the world.

- › Helps optimize feed conversion by keeping feed fresh and reducing waste.
- › Choice of conveying rates for a variety of feed applications.
- › Fully enclosed system distributes feed accurately and economically while also reducing feed dust.
- › Helps to keep feed free of insect and rodent contamination.
- › Moves feed up, down, on-the-level, or around corners.
- › Low power requirements and low maintenance costs.
- › System is easily installed in minimal space.
- › Automatic controls and scales are also available.



**CURVED PVC ELBOWS**

- › Auger rotates in a tube made from specially-formulated ultra-violet-resistant PVC with high impact rating and abrasion-resistant qualities for longer life.
- › Wear-resistant elbows for the Chore-Time FLEX-AUGER System feature 50% thicker walls at the bottom of the curved tubing to provide a longer-lasting wear area.



**POWER & CONTROL UNITS**

- › Power unit features a direct-drive gearhead with a compact, proven design unique to Chore-Time.
- › Custom gear design is precision manufactured using premium gear and shafting materials.
- › Capable of up to nine gearhead speeds.
- › The control unit includes a red translucent polycarbonate body and a nearly clear, side-draw polypropylene funnel.
- › Control unit is sealed to keep water from entering and feed dust from escaping.
- › Over-sized outlet helps to prevent feed bridging.



**FIVE FLEX-AUGER® MODELS**

- › Capacities for Chore-Time's five FLEX-AUGER® System models range from 15 to 250 pounds (7 to 113 kg) per minute.
- › Spring-like auger is custom manufactured from high-yield strength steel for exceptional durability plus the proper hardness for optimal wear resistance.
- › Chore-Time's auger wire is flattened prior to hardening and then precisely shaped to provide its legendary feed-moving qualities.
- › Low power requirements and low maintenance costs.



**TRANSITIONS AND BOOTS**



- › Bin transitions are available in either translucent red or clear polycarbonate. Both are designed to promote even feed flow and offer the ability to visually inspect the feed flow to the bin's boot and auger system.
- › Transitions are made from polycarbonate with ultraviolet inhibitors and impact modifiers included to enhance durability.
- › Configurations available for transitions include straight-through, 30° incline, single and double models for outstanding versatility.
- › Metal boot features baffles and restrictions and a rounded bottom to better fit the auger and enhance feed flow.
- › Bin boot baffles work to promote an even mass flow of feed out of the bin for providing first-in, first-out performance.
- › The included boot cannon ball helps to optimize the auger system's delivery capacity by preventing feed bridging and feed overfilling the boot.

# FLEX-AUGER®

## ACCESSORIES



**FEED CONVEYING SCALE**

- > Chore-Time's Feed Scale is an in-line scale accurately capturing daily feed consumption rates to help you evaluate hog growth performance as well as identify potential herd problems.
- > Unique pivoting, split hopper dumps feed from one side while the other side fills to provide a continuous flow of feed to your pigs.
- > Use real-time data to monitor feed inventory levels and do timely scheduling of feed deliveries.



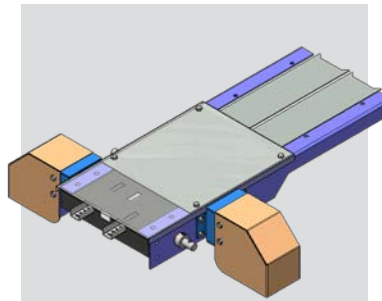
**OUTLET DROP**

- > Plastic outlet drop is easy to install where needed in the FLEX-AUGER System with several mounting options.
- > Simple shutoff features visual indicator for whether the drop is open or closed and can be operated from floor level using the cord provided.
- > Flexible and rigid drop tubes are available.



**FEED EXTENSION BOOT**

- > Chore-Time's Feed Extension Boot replaces the control unit to extend the overall length of the feed conveying system.
- > Designed as one-piece hopper/boot unit to remain an enclosed feed delivery system.



**BOOT SLIDE ACTUATORS**

- > Choice of manual and automatic actuators for simple, trouble-free operation of the bin boot's shut-off slide.
- > Automatic boot slide actuator helps manage feed inventories to automatically switch bins to prevent feed systems from running empty and pigs running out of feed.
- > If both bins are empty or if there is a feed flow problem, the automatic actuator turns the feed delivery system off and issues an alert.



**SWITCHES**

- > The Chore-Time hopper level control and drop tube switches help to maintain the desired feed levels for a continuous feed supply.
- > Both adjust automatically to changes in feed type.
- > These electronic switches are non-mechanical proximity sensors paired with switching relays for use with feeders or feed conveying lines. A built-in programmable delay prevents short-cycling of the feed conveying system.



**AUGER RUN TIMER**

- > Maximum run timer acts as both time delay and safety timer to shut down the auger system if it is operating longer than the programmed run time.
- > The timer prevents the system from running empty for long periods of time.
- > For added protection, the system requires a manual re-set after activation.



**AGRI-TIME® TIME CLOCK**

- > Chore-Time's AGRI-TIME® Time Clock offers a variety of accurate, reliable, easy-to-use controls from more advanced multi-function units to basic, single-function controls.
- > This 4-channel time clock can control up to eight events with a start time and a run time for each.

# FLEX-AUGER®

## CAPACITIES & WARRANTY



### Choice of conveying rates

New construction or old, Chore-Time's FLEX-AUGER® System easily adapts to provide a streamlined management tool for saving feed and labor. Chore-Time's FLEX-AUGER System offers a choice of conveying rates for a wide variety of feeding applications.

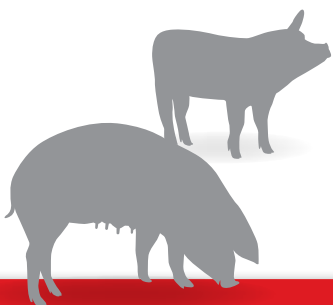
### FLEX-AUGER® System Specifications

	Model 55	Model 75	Model HMC	Model 90 (Standard)	Model 90 (High Speed)	Model 108 (Standard)	Model 108 (High Speed)
Feed Delivery Rate per Minute*	15 pounds (7 kg)	50 pounds (20 kg)	50 pounds (20 kg)	100 pounds (45 kg)	120 pounds (55 kg)	220 pounds (100 kg)	250 pounds (113 kg)
Power Unit RPM	348	348	348	348	425 (60 Hz only)	348	425 (60 Hz only)
Outside Diameter of Tube	2.2 inches (56 mm)	3 inches (75 mm)	3.5 inches (90 mm)	3.5 inches (90 mm)	3.5 inches (90 mm)	Steel – 4.25 inches (108 mm) PVC – 4.5 inches (115 mm)	Steel – 4.25 inches (108 mm) PVC – 4.5 inches (115 mm)
Corner Radius	5 feet (1.5 meters)	5 feet (1.5 meters)	5 feet (1.5 meters)	5 feet (1.5 meters)	5 feet (1.5 meters)	5 feet (1.5 meters)	5 feet (1.5 meters)
Recommended Motor at Maximum Length	1/2 HP	1 HP	1 HP	1 HP	1 HP	1.5 HP	2 HP
Maximum Length	250 feet (75 m)	200 feet (60 m)	150 feet (45 m)	150 feet (45 m)	120 feet (35 m)	150 feet (45 m)	150 feet (45 m)
Standard Extension**	285 feet (85 m)	245 feet (75 m)	185 feet (55 m)	185 feet (55 m)	150 feet (45 m)	185 feet (55 m)	185 feet (55 m)
Typical Applications	Low volume needs such as swine nursery or sow drop feeders	Pig grow and finish houses	Large particle feeds	Large pig buildings	Large pig buildings	Large volume needs	Large volume needs

\*Feed delivery rate calculated at standard 40 pounds of feed per cubic foot (640 kg per cubic meter).

\*\*Standard extensions use extension boot at motor end of first auger, plus additional tube, auger and motor.

NOTE: Where extra feed storage or dual rations are required, use Chore-Time's straight-through tandem system, or 30-degree two-motor tandem system. Tandem systems are available for Models 75, 90, HMC, and 108. For each straight-through tandem system (Model 75, HMC, 90 and 108), decrease maximum line length for each power unit by 50 feet (15 m). For Model 90 three-bin, straight-through systems, line length should also be decreased by 50 feet (15 m).



### 10-year prorated warranty

Another long time feature of the Chore-Time FLEX-AUGER® System that hog farmers really like is the 10-year prorated warranty on the auger itself. See Chore-Time's full written warranty for complete details.