

Bin Fill Cap Kits

Intermediate Fill Cap Kits

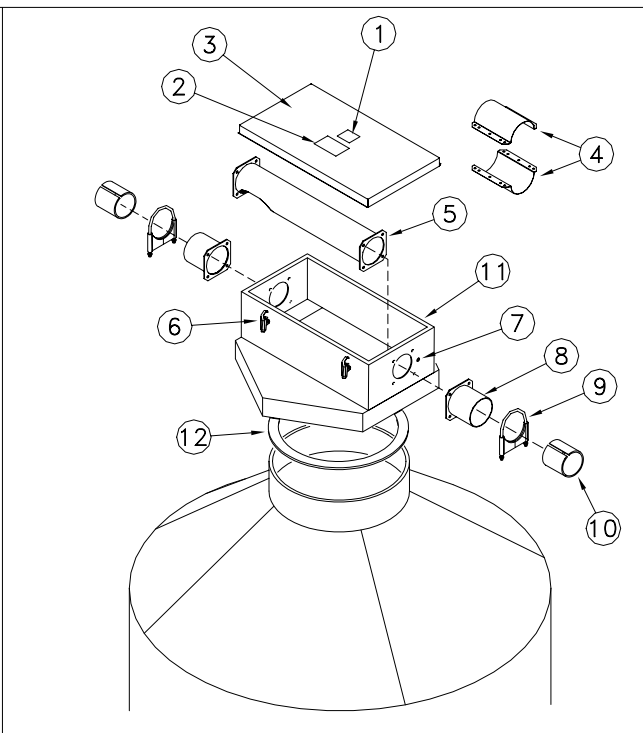
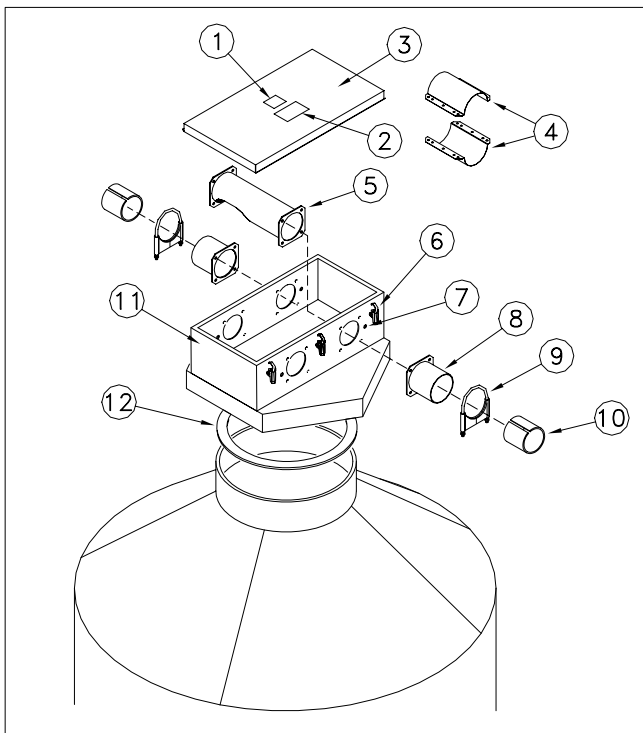
Single Model 108 Fill Cap Kit: 40527

Twin Model 108 Fill Cap Kit: 40526

Item	Description	40527	40527	40526	40526
		Mfg'd 9/1997 to 4/1998	Mfg'd 4/1998 to Present	Mfg'd 9/1997 to 4/1998	Mfg'd 4/1998 to Present
Part No	Part No	Part No	Part No	Part No	Part No
1	Danger Electrical Decal	2527-25	2527-25	2527-25	2527-25
2	Danger Moving Auger Decal	2527-9	2527-9	2527-9	2527-9
3	Lid Assembly	7689	7689	7689	7689
4	Shut-off Half	40530	40530	40530	40530
5	Twin Tube Fill Weldment	---	---	40522	40522
	Single Tube Fill Weldment	40523	40523	---	---
6	Over Center Clamp	2536	2536	2536	2536
7	Double Insulated Bushing	6343	6343	6343	6343
8	Tube Anchor Weldment	40803	40803	40803	40803
9	Tube Clamp	14373	14373	14373	14373
10	Tube Insert	34337	34337	34337	34337
11	Twin Cover Weldment	---	---	40533	40533
	Single Cover Weldment	40534	40534	---	---
12	Sponge Tubing	5928	3-12975	5928	3-12975
--	Cord	3085-8	3085-8	3085-8	3085-8
--	Red Indicator Ball	24393-1	24393-1	24393-1	24393-1
--	Green Indicator Ball	24393-2	24393-2	24393-2	24393-2

Kit Part No. 40526

Kit Part No. 40527



MA1019-6 6/99

Terminal Fill Cap Kits

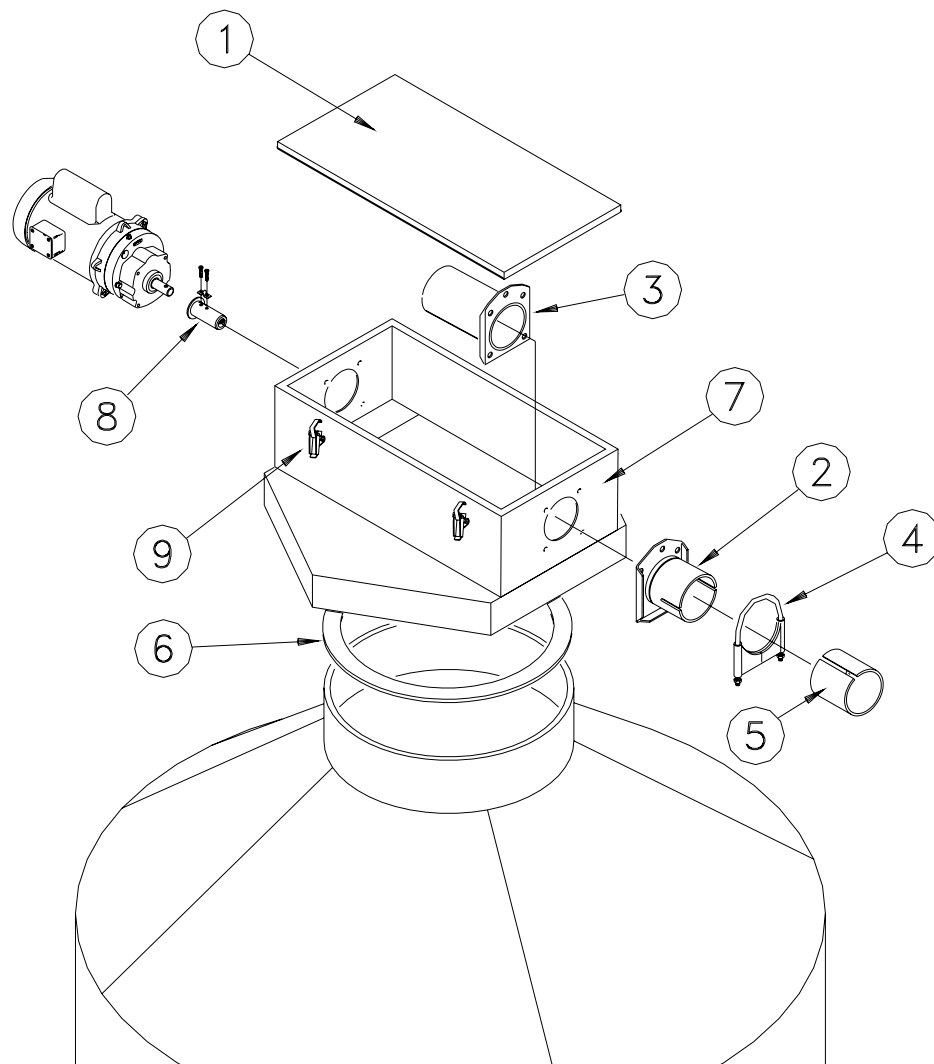
Single Model 75 Fill Cap Kit: 6563

Single Model 90 Fill Cap Kit: 25806

Single Model 108 Fill Cap Kit: 34635

Single Model 125 Fill Cap Kit: 9490

Item	Description	6563	6563	25806	25806	34635	34635	9490
		Mfg'd to 4/2000	Mfg'd 4/2000 to Present	Mfg'd to 4/2000	Mfg'd 4/2000 to Present	Mfg'd to 4/2003	Mfg'd 4/2003 to Present	Mfg'd to 10/1995
		Part No	Part No	Part No	Part No	Part No	Part No	Part No
1	Lid Assembly	7689	7689	7689	7689	7689	7689	7689
2	Tube Anchor Weldment	6518	6518	5069	5069	34636	34636	25341
3	Tube Anchor Weldment	---	---	---	---	343543	343543	9492
4	Tube Clamp	6515-1	6515-1	6721-1	6721-1	14373	14373	14373
5	Tube Insert	6524	6524	---	---	34337	34337	---
6	Sponge Tubing	3-12975	3-12975	3-12975	3-12975	3-12975	3-12975	3-12975
7	Single Cover Weldment	7690	7690	7690	7690	9489	9489	9489
8	Driver Assembly	6862	6862	6861	6861	30313	30313	8103
9	Over Center Clamp	2536	2536	2536	2536	2536	2536	2536
--	Auger Junction Box	---	46071	---	46071	---	46071	---

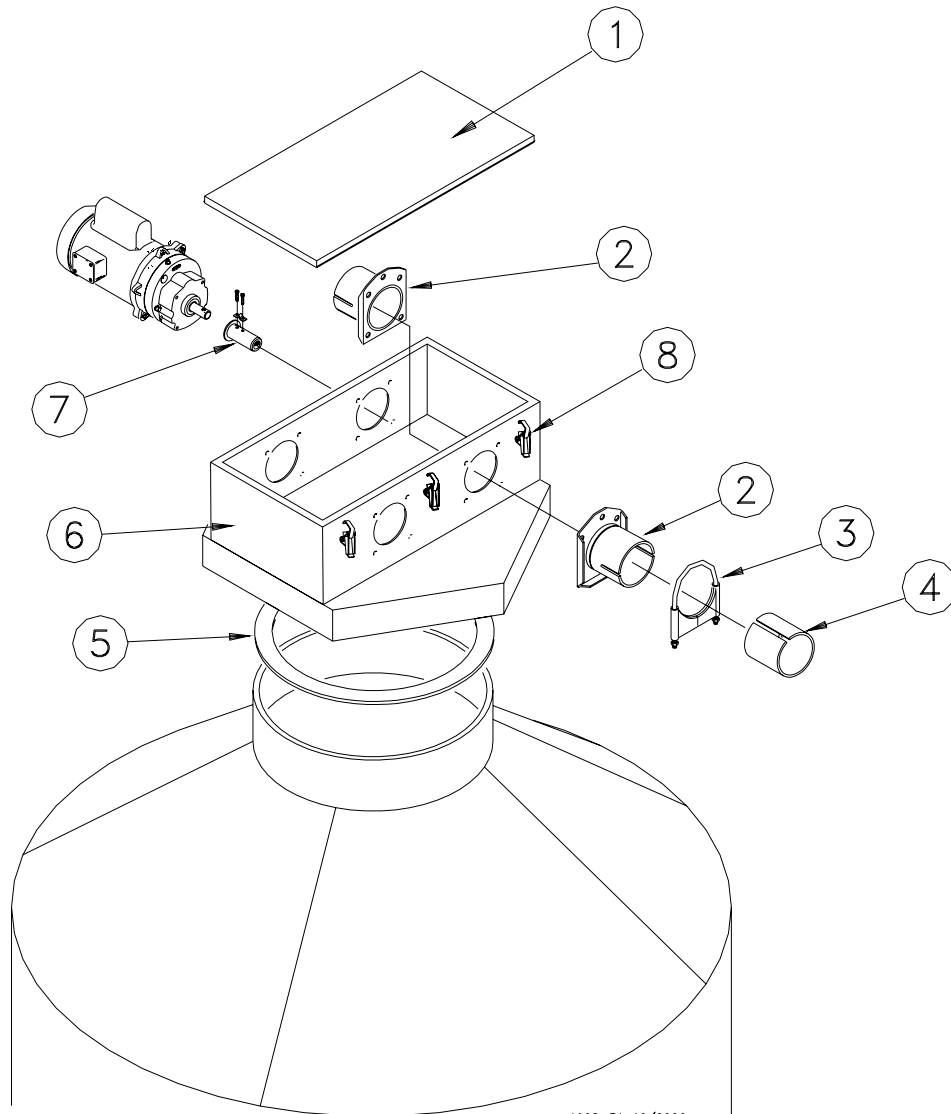


Twin Model 90 Fill Cap Kit: 27133

Twin Model 108 Fill Cap Kit: 35008

Twin Model 125 Fill Cap Kit: 43022

Item	Description	27133	27133	35008	35008	13022
		Mfg'd to 3/2003	Mfg'd 3/2003 to Present	Mfg'd to 3/2003	Mfg'd 3/2003 to Present	Mfg'd to 10/1995
Item	Description	Part No	Part No	Part No	Part No	Part No
1	Lid Assembly	7689	7689	7689	7689	7689
2	Tube Anchor Weldment	5069	5069	34636	34636	25341
3	Tube Clamp	6721-1	6721-1	14373	14373	14373
4	Tube Insert	---	---	34337	34337	---
5	Sponge Tubing	3-12975	3-12975	3-12975	3-12975	3-12975
6	Twin Cover Weldment	27135	27135	24361	24361	24361
7	Driver Assembly	6861	6861	30313	30313	8103
8	Over Center Clamp	2536	2536	2536	2536	2536
--	Auger Junction Box	---	46071	---	46071	---



1908-31 10/2006

Bin-to-Bin Fill Cap Kits

Model 108 Bin-to-Bin Fill Cap Kit: 42287

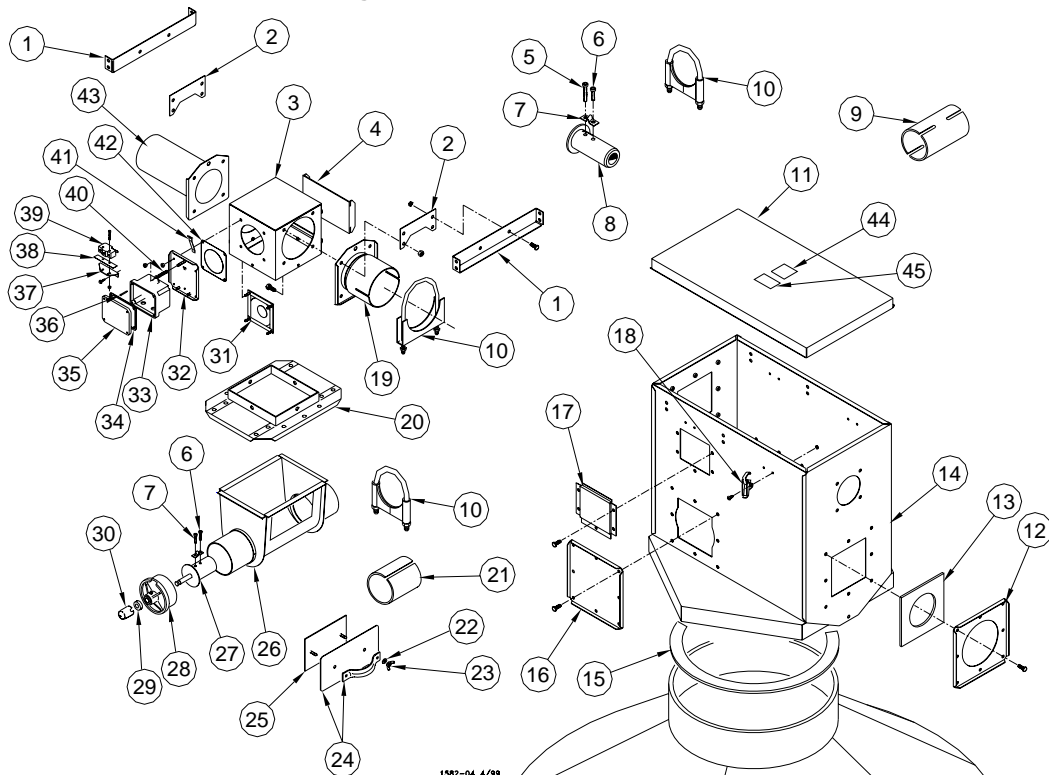
Item	Description	Mfg'd 8/1998 to 4/2000 Part No	Mfg'd 4/2000 to Present Part No
1	Support Rail	9851	9851
*2	Gusset	9948	9948
*3	Body Assembly	9857	9857
*4	Outlet Assembly Slide	5073	5073
5	5/16-18 x 2-3/4" Socket Hd Screw	6850-2	6850-2
6	5/16-18 x 7/8" Socket Hd Screw	6850-1	6850-1
7	Anchor Clamp	7703	7703
8	Driver Weldment	30312	30312
9	Steel Connector	30277	30277
10	4-7/16" Tube Clamp	34338	34338
11	Lid Assembly	7689	7689
12	Seal Plate	9849	9849
13	Seal	34334	34334
14	Cover Weldment	42289	42289
15	Sponge Tubing	3-12975	3-12975
16	Cover Plate	9852	9852
17	Cover	13329	13329
18	Over Center Clamp	2536	2536
*19	Tube Anchor Weldment	34543	34543
**20	Adapter Plate	7856	7856
**21	Tube Insert	34337	34337
**22	Sealing Washer	39-20155	39-20155
**23	5/16-18 Wing Nut	2146	2146

Item	Description	Mfg'd 8/1998 to 4/2000 Part No	Mfg'd 4/2000 to Present Part No
**24	Cover Weldment	6301	6301
**25	Back Plate Assembly	6298	6298
**26	Boot Body Weldment	30386	30386
**27	Anchor Weldment	34369	34369
**28	Bearing Cap Assembly	30314	30314
**29	5/8" Set Collar	1386	1386
**30	Safety Cap	29702	29702
*31	Diaphragm Assembly	7900	7900
*32	Mounting Plate Assembly	7908	7908
*33	Switch Box	7841	7841
*34	Gasket	6777	6777
*35	Switch Box Cover	6776	6776
*36	Rivet	8757	8757
*37	Switch Bracket	7068	7068
*38	Switch Insulation	1907-5	1907-5
*39***	Anchor Switch	7114	46091
*40	Spring	6972	6972
*41	Paddle	7896	7896
*42	Seal	4873	4873
*43	Long Tube Anchor Weldment	34636	34636
44	Danger Electrical Decal	2527-25	2527-25
45	Danger Moving Auger Decal	2527-9	2527-9

*These items are included with Part Number 42288 Control Unit.

**These items are included with Part Number 34372 Extension Boot Assembly.

***Use Kit Part Number: 46678 when replacing the (Part Number 7114) switch that was purchased before April 2000



1582-04 4/99