

Control Units

Direct Drive Control Units Single Phase (Metal Switch Housing)

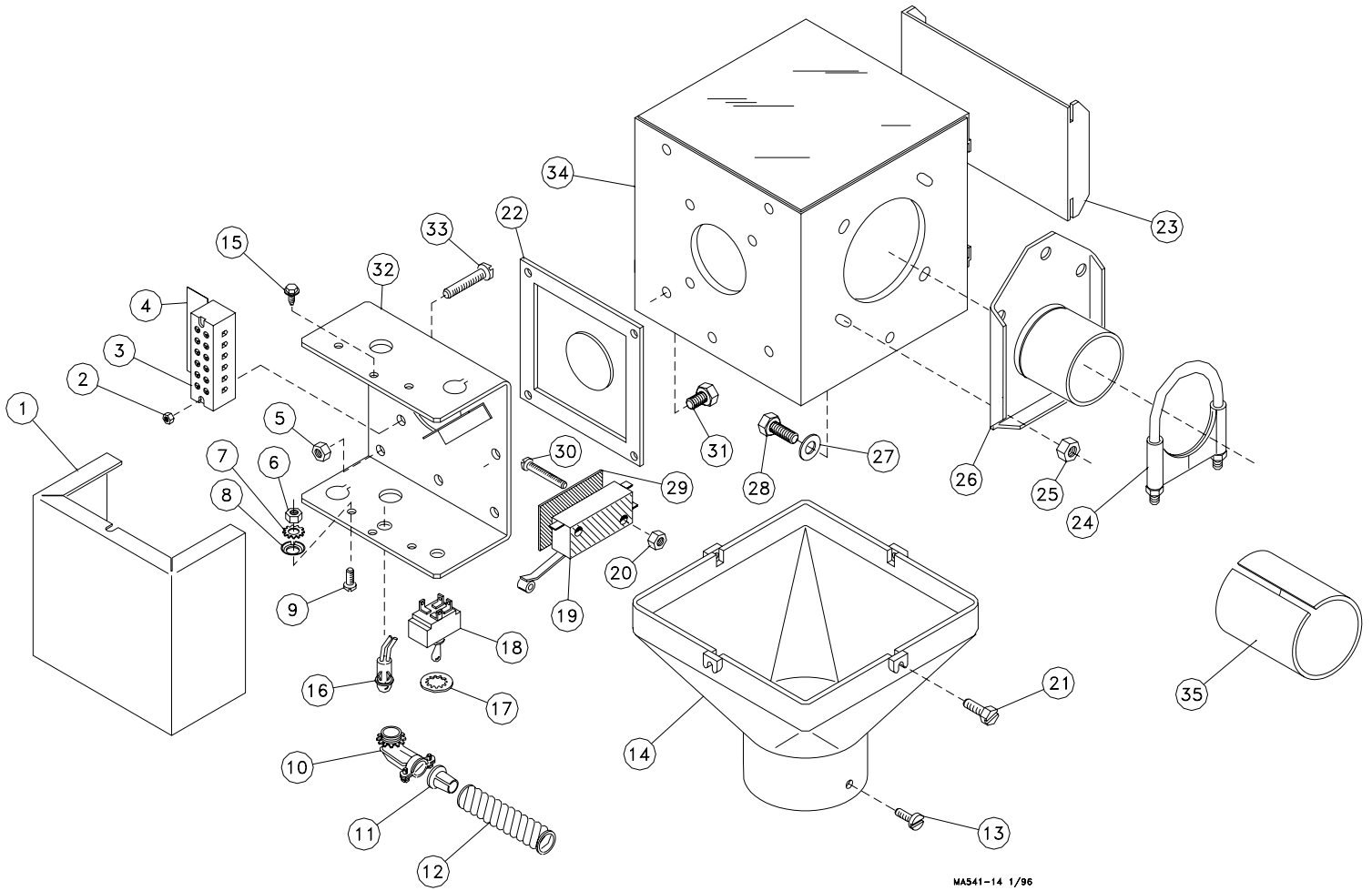
Manufactured until 8/2000

Item	Description	Model 55	Model 75	Model 90	Model HMC
		6500-8	6500-2	6500-3	6500-4
		Part No	Part No	Part No	Part No
1	Cover Assembly	6657	6657	6657	6657
2	#8-32 Hex Nut	6519	6519	6519	6519
3	Terminal Block	8848	8848	8848	8848
4	Terminal Block Decal	2526-151	2526-151	2526-151	2526-151
5	1/4-20 Hex Nut	751	751	751	751
6	#10-32 Hex Nut	4297	4297	4297	4297
7	Lock Washer	305	305	305	305
8	Cup Washer	5775	5775	5775	5775
9	#10-32 x 1/2" Screw	4303-4	4303-4	4303-4	4303-4
10	90 Degree Connector	4228	4228	4228	4228
11	Anti-Short Bushing	6304	6304	6304	6304
12	3/8" Flex Cable	20140-13	20140-13	20140-13	20140-13
13	#8 x 1/2" Screw	3037	3037	3037	3037
14	Plastic Drop	6091	6091	6091	6091
15	Stainless Steel Flex Tube	43267	43267	43267	43267
16	Pilot Light Assembly	5272	5272	5272	5272
17	Lock Washer	5773	5773	5773	5773
18	DPST Toggle Switch	3046	3046	3046	3046
19	Actuator Switch	4604	4604	4604	4604
20	#6-32 Hex Nut	771	771	771	771
21	6#10-24 x 5/8" Screw	1876	1876	1876	1876
22	Diaphragm Assembly	5079	5079	5079	5079
23	Slide	5073	5073	5073	5073
24	Tube Clamp	29515	6515	6721	6721
25	5/16-18 Lock Nut	2148	2148	2148	2148
26	Tube Anchor	7979	6518	5069	5069
27	Flat Washer	546	546	546	546
28	5/16-18 x 1/2" Screw	1839	1839	1839	1839
29	Switch Barrier	1907-3	1907-3	1907-3	1907-3
30	#6-32 x 7/8" Screw	1921	1921	1921	1921
31	1/4-20 x 1/2" Screw	1487	1487	1487	1487
32	Housing Weldment	6654	6654	6654	6654
33	#8-32 x 1 1/2" Screw	---	---	---	---
34	Body Weldment	6562	6562	6562	6562
35	#8 x 5/16" Screw	---	---	---	---
*--	Driver Assembly	---	6862	6861	6862

*For Driver Components - See "Driver Assemblies" on page 47.

**Items 1 thru 35 may be ordered as an assembly under Part No. 6560.

Direct Drive Control Units Single Phase (Metal Switch Housing)



Belt Drive Control Units Single Phase (Metal Switch Housing)

Manufactured until 6/2001

Item	Description	Model 55	Model 75	Model 90	Model HMC
		6500-12	6500-5	6500-6	6500-7
--	Control Unit	6560	6560	6560	6560
*--	Driver Parts Package	---	24102-5	24102-6	24102-7
*--	Belt Drive Parts Package	24103	24103	24103	24103

* For Components - See "Belt Drive Control Unit Components" on page 92.

Direct Drive Control Units Single Phase (Plastic Switch Box)

Manufactured until 7/2003

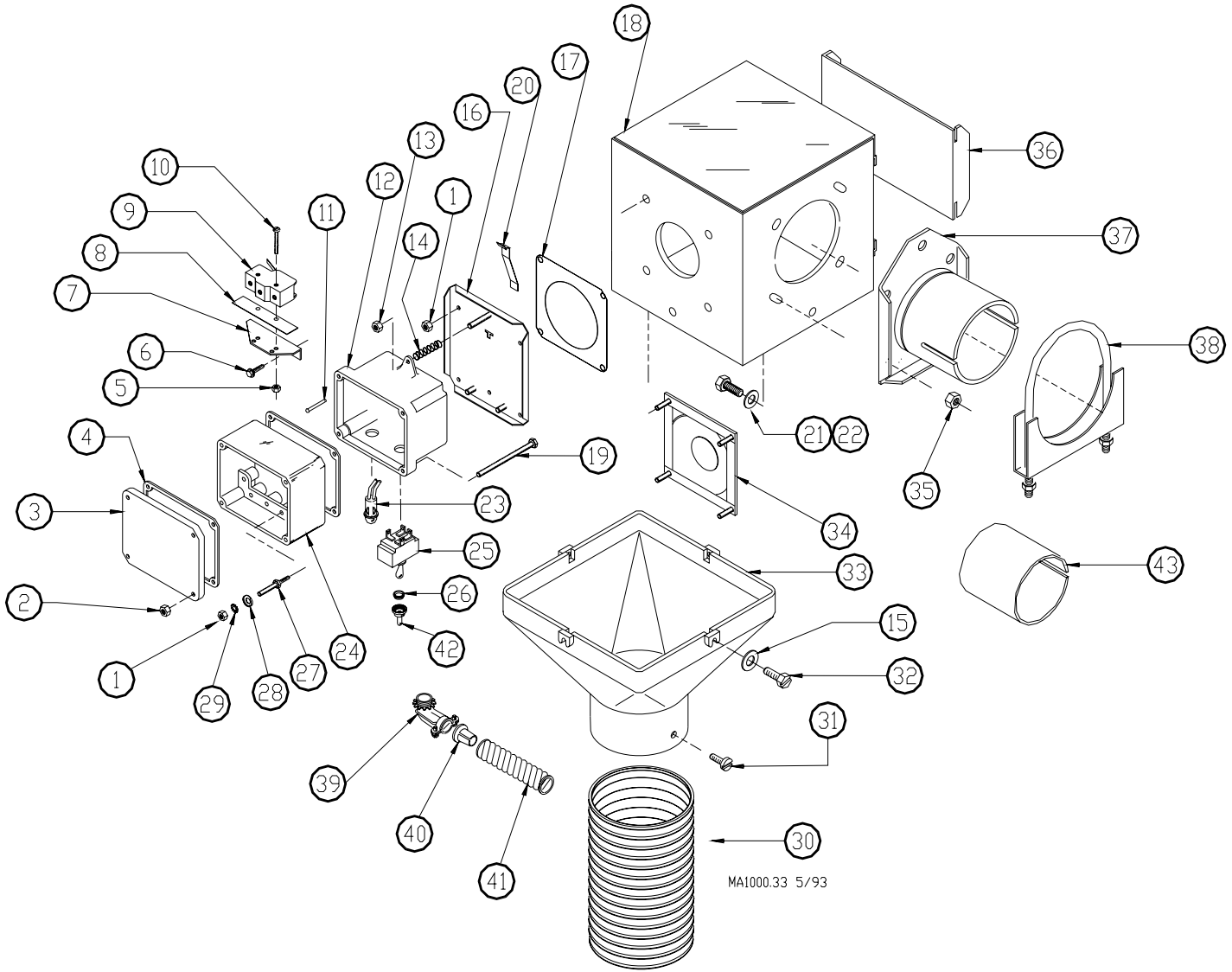
Item	Description	Model 55	Model 75	Model 90	Model HMC	Model 108	Model 125
		6500-13	6500-14	6500-16	6500-15	6500-22	6500-9
		Part No	Part No	Part No	Part No	Part No	Part No
*1	#10-32 Hex Nut	4297	4297	4297	4297	4297	4297
*2	#8-32 Hex Nut	6519	6519	6519	6519	6519	6519
*3	Switch Box Cover	6776	6776	6776	6776	6776	6776
*4	Gasket	6777	6777	6777	6777	6777	6777
*5	#6-32 Hex Nut	771	771	771	771	771	771
*6	#6 x 3/8" Screw	6782	6782	6782	6782	6782	6782
*7	Switch Bracket	7068	7068	7068	7068	7068	7068
*8	Switch Insulation	1907-5	1907-5	1907-5	1907-5	1907-5	1907-5
*9	SPDT Switch	7114	7114	7114	7114	7114	7114
*10	#6-32 x 7/8" Screw	1921	1921	1921	1921	1921	1921
*11	Pin	8757	8757	8757	8757	8757	8757
*12	Switch Box	7909	7909	7909	7909	7909	7909
*13	#10-32 Lock Nut	6963	6963	6963	6963	6963	6963
*14	Spring	6972	6972	6972	6972	6972	6972
15	Washer	6723	6723	6723	6723	6723	6723
*16	Mounting Plate Assembly	7908	7908	7908	7908	7908	7908
17	Seal	4873	4873	4873	4873	4873	4873
18	Body Weldment	24268	24268	24268	24268	8276	8276
*19	#8-32 x 2 5/8" Screw	7230-1	7230-1	7230-1	7230-1	7230-1	7230-1
*20	Paddle	7896	7896	7896	7896	7896	7896
21	5/16-18 x 1/2" Screw	1839	1839	1839	1839	1839	1839
22	Flat Washer	546	546	546	546	546	546
*23	Pilot Light	7044	7044	7044	7044	7044	7044
*24	Terminal Box	7774	7774	7774	7774	7774	7774
*25	Toggle Switch	7767	7767	7767	7767	7767	7767
*28	Cup Washer	5775	5775	5775	5775	5775	5775
*29	#10 Star Washer	305	305	305	305	305	305
30	Flex Drop Tube	13267	13267	13267	13267	13804	13804
31	#8 x 1/2" Screw	6725	6725	6725	6725	6725	6725
32	#10-24 x 5/8" Screw	1876	1876	1876	1876	1876	1876
33	Drop	6091	6091	6091	6091	13803	13803
34	Diaphragm Assembly	7900	7900	7900	7900	7900	7900
35	5/16-18 Lock Nut	2148	2148	2148	2148	2148	2148
36	Slide	5073	5073	5073	5073	5073	5073
37	Tube Anchor	29515	6518	5069	5069	34543	25341
38	Tube Clamp Kit	7976	6515	6721	6721	14373	14373
39	90 Degree Connector	4228	4228	4228	4228	23810	23810
40	Anti-Short Bushing	6304	6304	6304	6304	----	----
41	3/8" Flex Conduit	26982-10	26982-10	26982-10	26982-10	26982-10	26982-10
*42	Toggle Switch Boot	13406	13406	13406	13406	13406	13406
43	Tube Insert	----	6524	----	----	34337	----
**--	Driver Assembly	----	6862	6861	6862	30313	8103

*Items may be ordered as a complete assembly, Part No. 8789.

**For Diver Components, See "Driver Assemblies" on page 47.

- Items 1 thru 43, except 37, 38, & 43, may be ordered as Part No. ~~24482~~ (Model 55, 75, 90, HMC) or ~~25688~~ (Model 108 or 125).

Direct Drive Control Units Single Phase (Plastic Switch Box)



Belt Drive Control Units Single Phase (Plastic Switch Box)

Manufactured until 7/2003

		Model 55 6500-17	Model 75 6500-18	Model 90 6500-20	Model HMC 6500-19	Model 108 6500-21	Model 125 6500-10
Item	Description	Part No	Part No	Part No	Part No	Part No	Part No
--	Control Unit	24482	24482	24482	24482	25688	25688
*--	Driver Parts Package	----	24102-5	24102-6	24102-7	24102-21	24102-10
*--	Belt Drive Parts Package	24103	24103	24103	24103	24103	24103

*For Components - See "Belt Drive Control Unit Components" on page 92.

Direct Drive Control Units Three Phase (Plastic Switch Box)

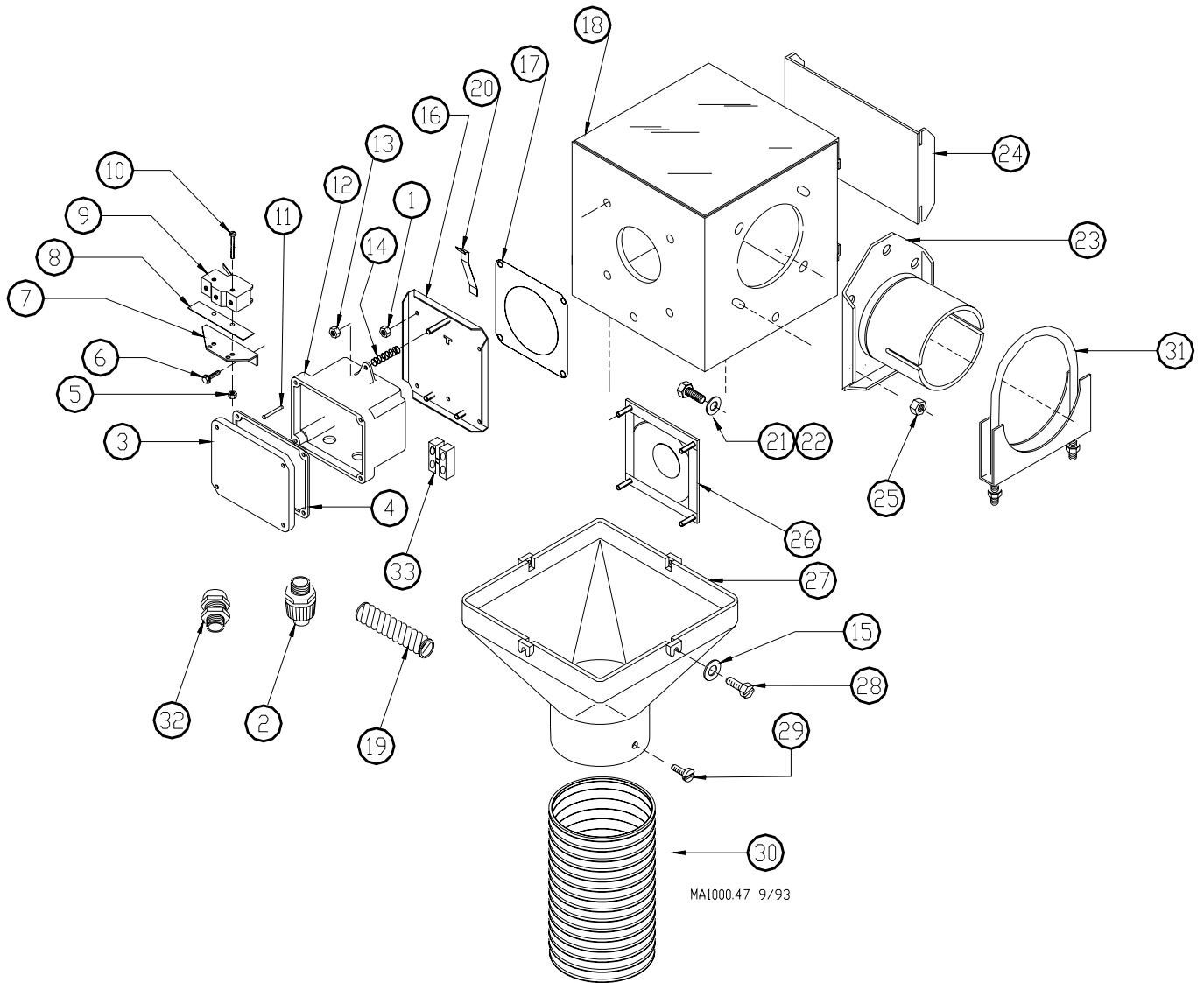
Manufactured until 7/2003

Item	Description	Model 75 25770-1		Model 90 25770-2	
		Mfg'd until 5/2000	Mfg'd 5/2000 to 7/2003	Mfg'd until 5/2000	Mfg'd 5/2000 to 7/2003
		Part No	Part No	Part No	Part No
1	#10-32 Hex Nut	4297	4297	4297	4297
2	Straight Liquid Tight Conn.	26980	26980	26980	26980
3	Switch Box Cover	6776	6776	6776	6776
4	Gasket	6777	6777	6777	6777
5	#6-32 Hex Nut	771	771	771	771
6	#6 x 3/8" Screw	6782	6782	6782	6782
7	Switch Bracket	7068	7068	7068	7068
8	Switch Insulation	1907-5	1907-5	1907-5	1907-5
9	SPDT Actuator Switch	7114	46091	7114	46091
10	#6-32 x 7/8" Screw	1921	1921	1921	1921
11	Rivet	8757	8757	8757	8757
12	Switch Box	7841	7841	7841	7841
13	#10-32 Lock Nut	6963	6963	6963	6963
14	Spring	6972	6972	6972	6972
15	#10 Flat Washer	6723	6723	6723	6723
16	Mounting Plate Assembly	7908	7908	7908	7908
17	Seal	4873	4873	4873	4873
18	Body Assembly	24268	24268	2268	2268
19	Non-Metallic Flexible Conduit	26982-10	26982-10	26982-10	26982-10
20	Paddle	7896	7896	7896	7896
21	5/16-18 x 1/2" Screw	1839	1839	1839	1839
22	5/16" Flat Washer	546	546	546	546
23	Tube Anchor Weldment	6518	6518	5069	5069
24	Slide	5073	5073	5073	5073
25	5/16-18 Locknut	2148	2148	2148	2148
26	Diaphragm Assembly	7900	7900	7900	7900
27	Drop	6091	6091	6091	6091
28	#10-24 x 5/8" Screw	1876	1876	1876	1876
29	#8 x 1/2" Screw	6725	6725	6725	6725
30	Stainless Steel Flexible Drop Tube	13267	13267	13267	13267
31	Clamp Kit	6515-1	6515-1	6721-1	6721-1
32	Liquid Tight Connector	23810	23810	23810	23810
33	Terminal Block	34925-2	34925-2	34925-2	34925-2
*--	Driver Assembly	6862	6862	6861	6861

*For Driver Components - See "Driver Assemblies" on page 47.

**Use Kit Part Number: 46678 when replacing the (Part Number 7114) switch that was purchased before May 2000.

Direct Drive Control Units Three Phase (Plastic Switch Box)



MA1000.47 9/93

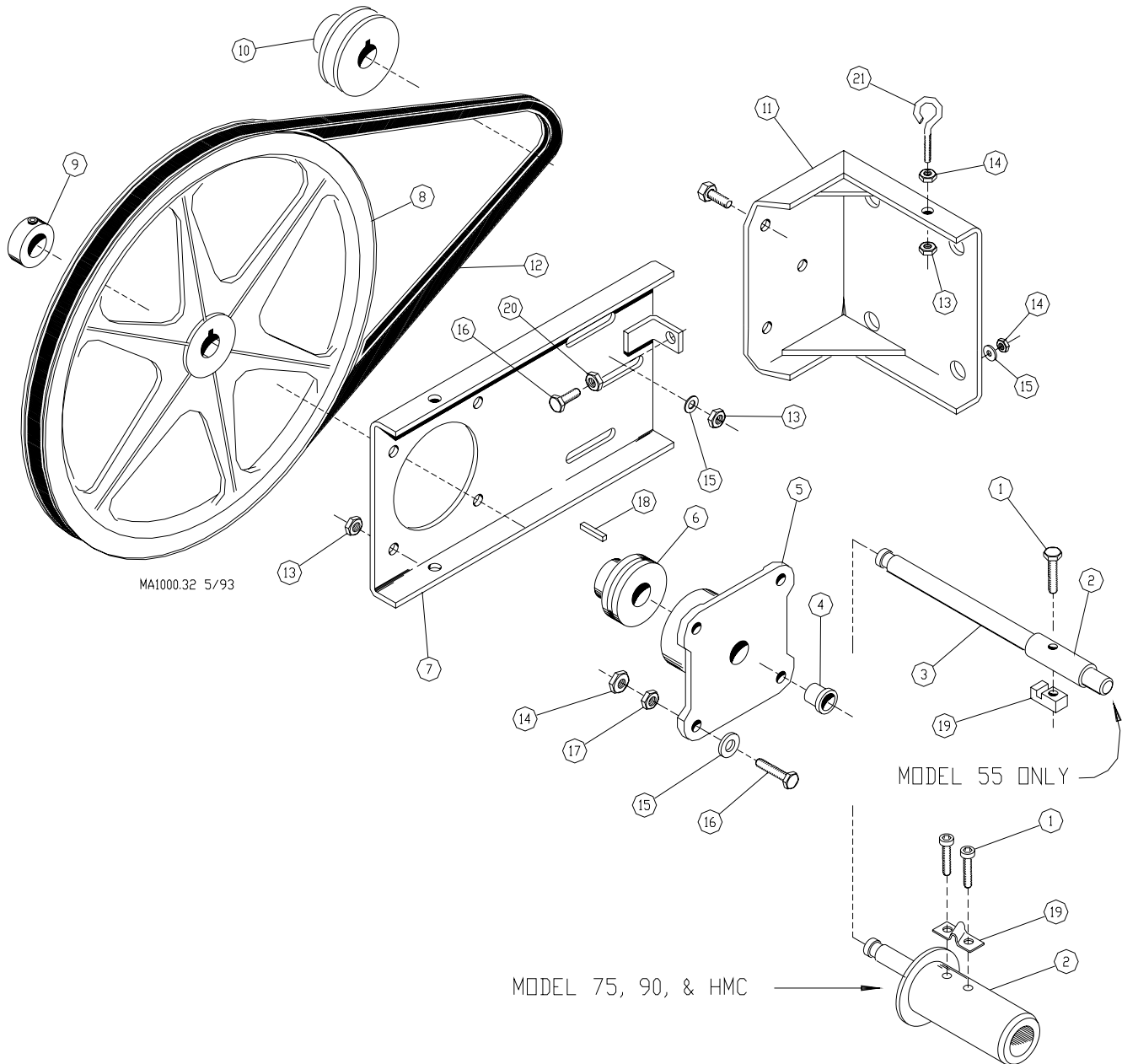
Belt Drive Control Unit Components

Note: The belt drive control units include all the direct drive control unit components, plus the following components.

Item	Description	Part No
1	Model 55: 1/4-20 x 1 1/2" Screw	5083-8
	Model 75, 90 & HMC: 5/16-18 Socket Hd Screw	6850-3
2	Model 55: Drive Tube	2920
	Model 75 & HMC: Driver Weldment	6894
	Model 90: Driver Weldment	6891
3	Model 55: Driver Shaft	27126
4	Flange Bearing	2196
5	Front Plate Bearing Holder	2047
6	Ball Bearing	5930
7	Adjustment Bracket	3052
8	14" Diameter Sheave	1500
9	5/8" Set Collar	1386

Item	Description	Part No
10	2.7" Dia. Sheave	1381
11	Motor Mount Weldment	3058
12	"V" Grip notch Belt	3096
13	5/16-18 Lock Nut	2148
14	5/16-18 Jam Nut	593
15	5/16 Flat Washer	546
16	5/16-18 x 1 3/4" Screw	4412-4
17	5/16-18 Lock Nut	2148
18	3/16" Key	2112-1
19	Model 55: Driver Block	4642
	Model 75, 90, & HMC: Anchor Clamp	7703
20	5/16-18 Hex Nut	2145
21	Eyebolt	1503-2

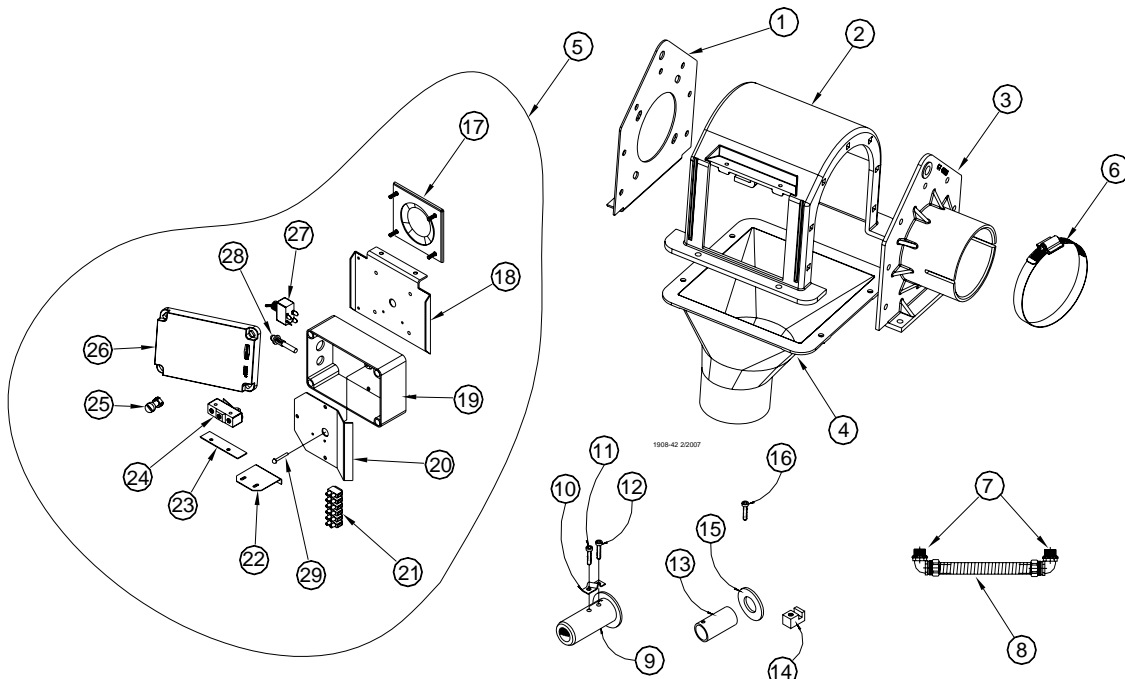
The components listed above may be ordered as a package, Part No. **24103**.



Direct Drive Control Units Single Phase

Manufactured 7/2003 to present.

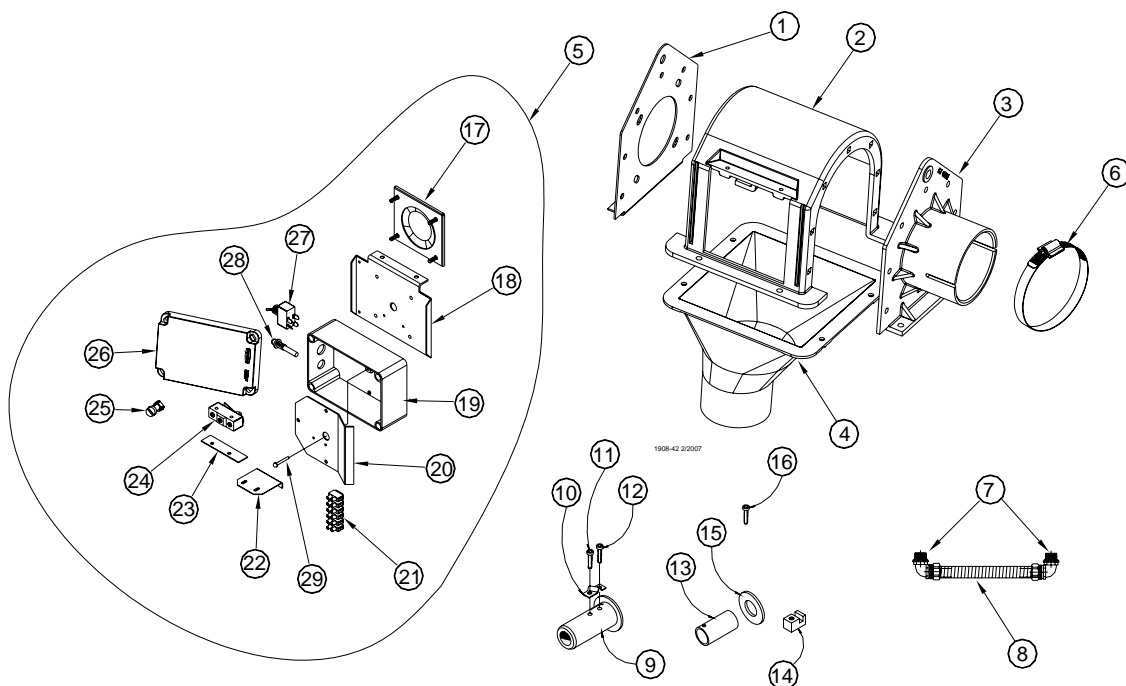
Item	Description	Model 55	Model 75	Model HMC	Model 90	Model 108
		46800-1	46800-2	46800-3	46800-4	46800-5
		Part No	Part No	Part No	Part No	Part No
1	Gearhead End Plate	43596	43596	43596	43596	43596
2	Control Unit Body	43601	43601	43601	43601	43601
3	Tube Anchor Plate	45924	45925	45926	45926	45927
4	Control Unit Funnel	45943-1	45943-1	45943-2	45943-2	45943-3
5	Switch and Plate Assembly	46051	46051	46051	46051	46051
6	Adjustable Clamp	47652-1	47652-1	47652-1	47652-1	47654-2
7	Water Tight Connector	23810	23810	23810	23810	23810
8	Flex Conduit	26982-10	26982-10	26982-10	26982-10	26982-10
*9	Driver Weldment	---	7704	7704	7706	30312
*10	Anchor Clamp	---	7703	7703	7703	7703
*11	5/16-18 Socket Hd Cap Screw	---	6850-3	6850-3	6850-3	6850-1
*12	5/16-18 Socket Hd Cap Screw	---	6850-4	6850-4	6850-4	6850-2
*13	Drive Tube	2920	---	---	---	---
*14	Drive Block	4642	---	---	---	---
*15	1/4-20 x 1-1/2" Screw	5083-8	---	---	---	---
*16	Flat Washer	1484	---	---	---	---
*--	Driver Assembly	46458	6862	6862	6861	30313
17	Diaphragm Assembly	46159	46159	46159	46159	46159
18	Switch Cover Plate	46030	46030	46030	46030	46030
19	Electrical Box	46070-1	46070-1	46070-1	46070-1	46070-1
20	Mounting Panel	46072	46072	46072	46072	46072
21	Terminal Block	34925-6	34925-6	34925-6	34925-6	34925-6
22	Switch Bracket	46093	46093	46093	46093	46093
23	Switch Insulation	1907-5	1907-5	1907-5	1907-5	1907-5
24	Micro Switch	46091	46091	46091	46091	46091
25	Plastic Screw	42849	42849	42849	42849	42849
26	Electrical Box Cover	42851	42851	42851	42851	42851
27	Toggle Switch	7767	7767	7767	7767	7767
28	Pilot Light	46047	46047	46047	46047	46047
29	Round Head Rivet	46906	46906	46906	46906	46906



Direct Drive Control Unit Three Phase

Manufactured 7/2003 to present

Item	Description	Model 55	Model 75	Model HMC	Model 90	Model 108
		46800-6	46800-7	46800-8	46800-9	46800-10
		Part No	Part No	Part No	Part No	Part No
1	Gearhead End Plate	43596	43596	43596	43596	43596
2	Control Unit Body	43601	43601	43601	43601	43601
3	Tube Anchor Plate	45924	45925	45926	45926	45927
4	Control Unit Funnel	45943-1	45943-1	45943-2	45943-2	45943-3
5	Switch and Plate Assembly	46051	46051	46051	46051	46051
6	Adjustable Clamp	47652-1	47652-1	47652-1	47652-1	47654-2
7	---	---	---	---	---	---
8	---	---	---	---	---	---
*9	Driver Weldment	---	7704	7704	7706	30312
*10	Anchor Clamp	---	7703	7703	7703	7703
*11	5/16-18 Socket Hd Cap Screw	---	6850-3	6850-3	6850-3	6850-1
*12	5/16-18 Socket Hd Cap Screw	---	6850-4	6850-4	6850-4	6850-2
*13	Drive Tube	2920	---	---	---	---
*14	Drive Block	4642	---	---	---	---
*15	1/4-20 x 1-1/2" Screw	5083-8	---	---	---	---
*16	Flat Washer	1484	---	---	---	---
*--	Driver Assembly	46458	6862	6862	6861	30313
17	Diaphragm Assembly	46159	46159	46159	46159	46159
18	Switch Cover Plate	46030	46030	46030	46030	46030
19	Electrical Box	46070-1	46070-1	46070-1	46070-1	46070-1
20	Mounting Panel	46072	46072	46072	46072	46072
21	Terminal Block	34925-6	34925-6	34925-6	34925-6	34925-6
22	Switch Bracket	46093	46093	46093	46093	46093
23	Switch Insulation	1907-5	1907-5	1907-5	1907-5	1907-5
24	Micro Switch	46091	46091	46091	46091	46091
25	Plastic Screw	42849	42849	42849	42849	42849
26	Electrical Box Cover	42851	42851	42851	42851	42851
27	Toggle Switch	7767	7767	7767	7767	7767
28	Pilot Light	46047	46047	46047	46047	46047
29	Round Head Rivet	46906	46906	46906	46906	46906



Belt Drive Control Units

Manufactured 7/2003 to present

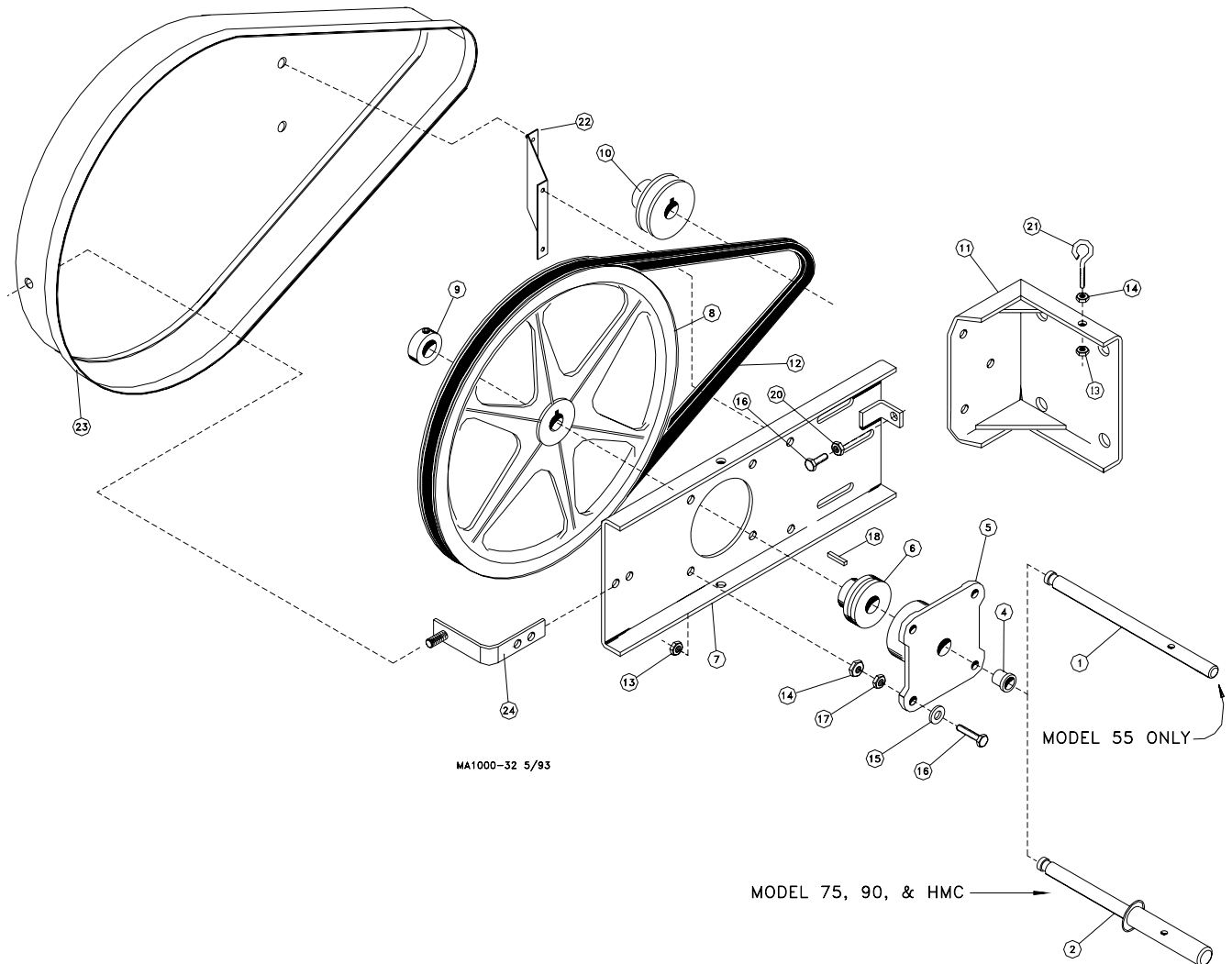
		Model 55 46800-11	Model 75 46800-12	Model 90 46800-14	Model HMC 46800-13	Model 108 46800-15
Item	Description	Part No	Part No	Part No	Part No	Part No
--	Control Unit	46800-6	46800-7	46800-9	46800-8	46800-10
*--	Belt Drive Parts	46138-1	46138-2	46138-2	46138-2	46138-2

*See parts list below for individual components.

Note: The belt drive control units include all the direct drive control unit components, plus the following components.

Item	Description	Part No
1	Model 55 Drive Shaft	27126
2	Model 75, 90, HMC Drive Shaft	46157
3	---	---
4	Flange Bearing	2196
5	Front Plate Bearing Holder	2047
6	Ball Bearing	5930
7	Adjustment Bracket	46301
8	11" Dia. Sheave	46190
9	5/8" Set Collar	1386
10	2-1/4" Dia. Sheave	3208
11	Motor Mount Weldment	3058
12	"V" Grip notch Belt	4409
13	5/16-18 Locknut	2148

Item	Description	Part No
14	5/16-18 Jam Nut	593
15	5/16 Flat Washer	546
16	5/16-18 x 1-3/4" Screw	4412-4
17	5/16-18 Locknut	2148
18	3/16" Key	2112-1
19	Anchor Clamp	7703
20	5/16-18 Nut	2145
21	Eyebolt	1503-2
22	Belt Guard Mount	46198
23	Belt Guard	46199
24	Angle Guard Mount	46299



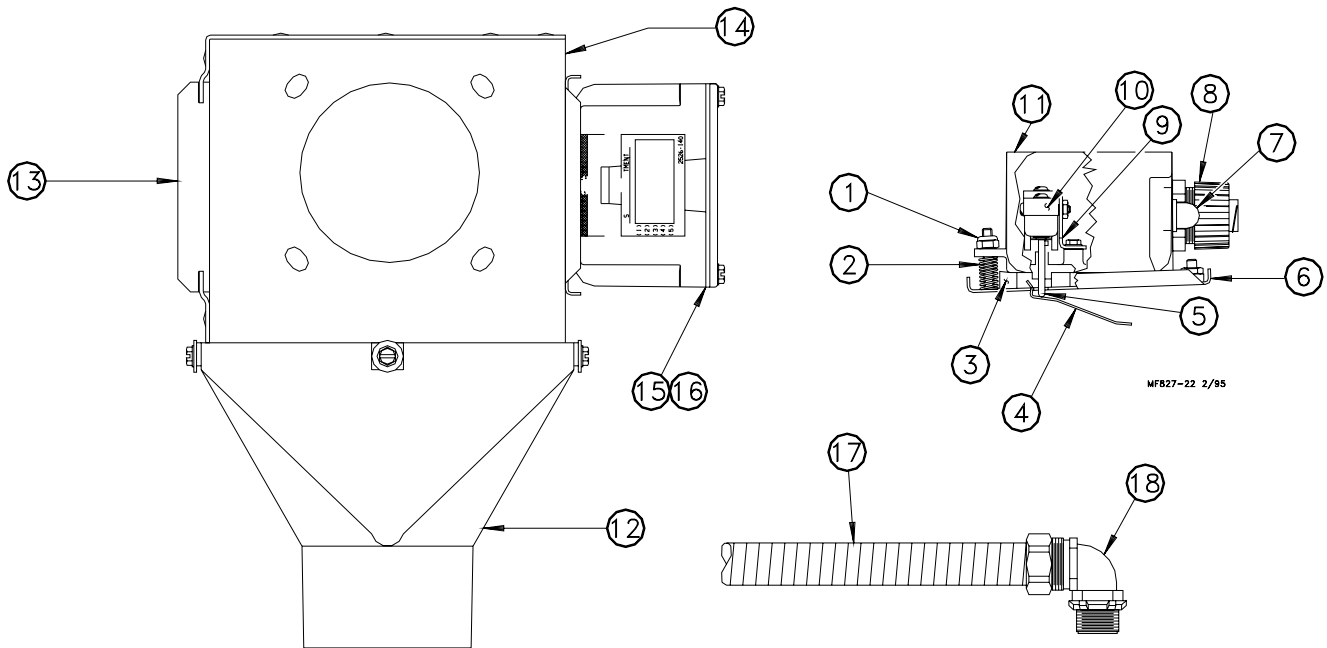
MA1000-32 5/93

Screener Control Unit: 25720

Item	Description	Mfg'd until	Mfg'd
		5/2000	5/2000 to 3/2002
Part No	Part No		
*1	10-32 Locknut	6963	6963
*2	Spring	6972	6972
*3	Gasket	6968-1	6968-1
*4	Paddle	7896	7896
*5	Pin	6775	6775
*6	Mounting Plate Assembly	7908	7908
*7	Pilot Light Assembly	7044	7044
*8	1/2" Liquid Tight Fitting	26980	26980
*9	Switch Bracket	7068	7068
*10	SPDT Actuator Switch	7114	46091
*11	Switch Box	25696	25696
12	Drop	13803	13803
13	Slide	5073	5073
14	Body Assembly	24268	24268
15	Gasket	6777	6777
16	Switch Box Cover	6776	6776
17	1/2" Flexible Conduit	26982-9	26982-9
18	Watertight Connector	23810	23810
--	Diaphragm Assembly	7900	7900
--	Danger Decal	2527-9	2527-9

*These items may be ordered as an assembly under Part No 25697.

**Use Kit Part Number: 46678 when replacing the (Part Number 7114) switch that was purchased before May 2000.

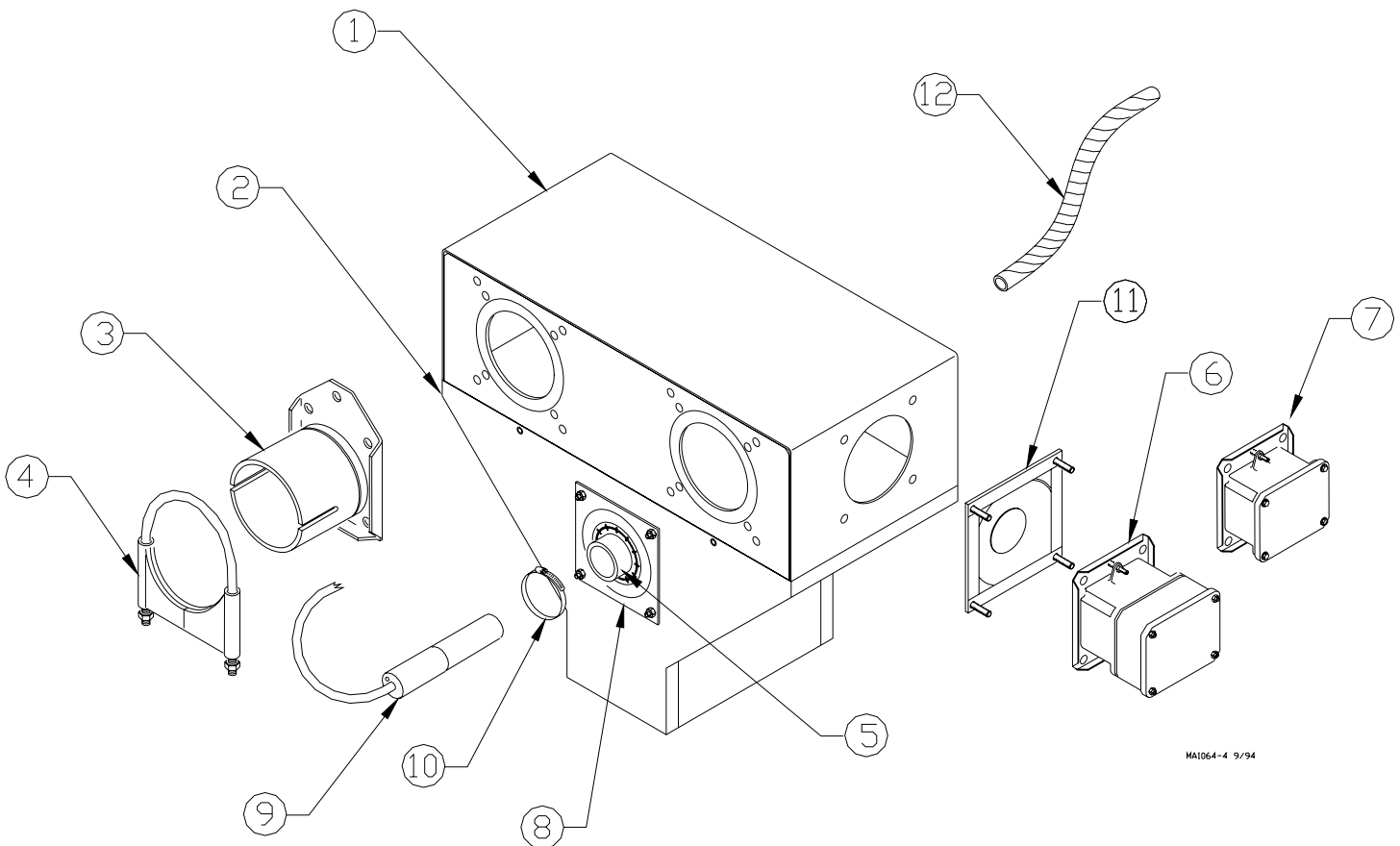


Dual Model 108 Control Unit (Single Phase): 35320-1

Dual Model 108 Control Unit (Three Phase): 35320-2

Manufactured 1/1995 to Present

Item	Description	35320-1	35320-2
		Part No	Part No
1	Control Body Weldment	35314	35314
2	Control Hopper Weldment	35318	35318
3	Tube Anchor Weldment	34543	34543
4	Clamp	14373	14373
5	Proximity Plate Weldment	34758	34758
6	Switch Assembly	8789	----
7	Switch Assembly	----	7840
8	Window Plate	7842	7842
9	Proximity Switch	34255	34255
10	Adjustable Clamp	3527	3527
11	Diaphragm Assembly	7900	7900
12	Flexible Conduit	26982-10	26982-10



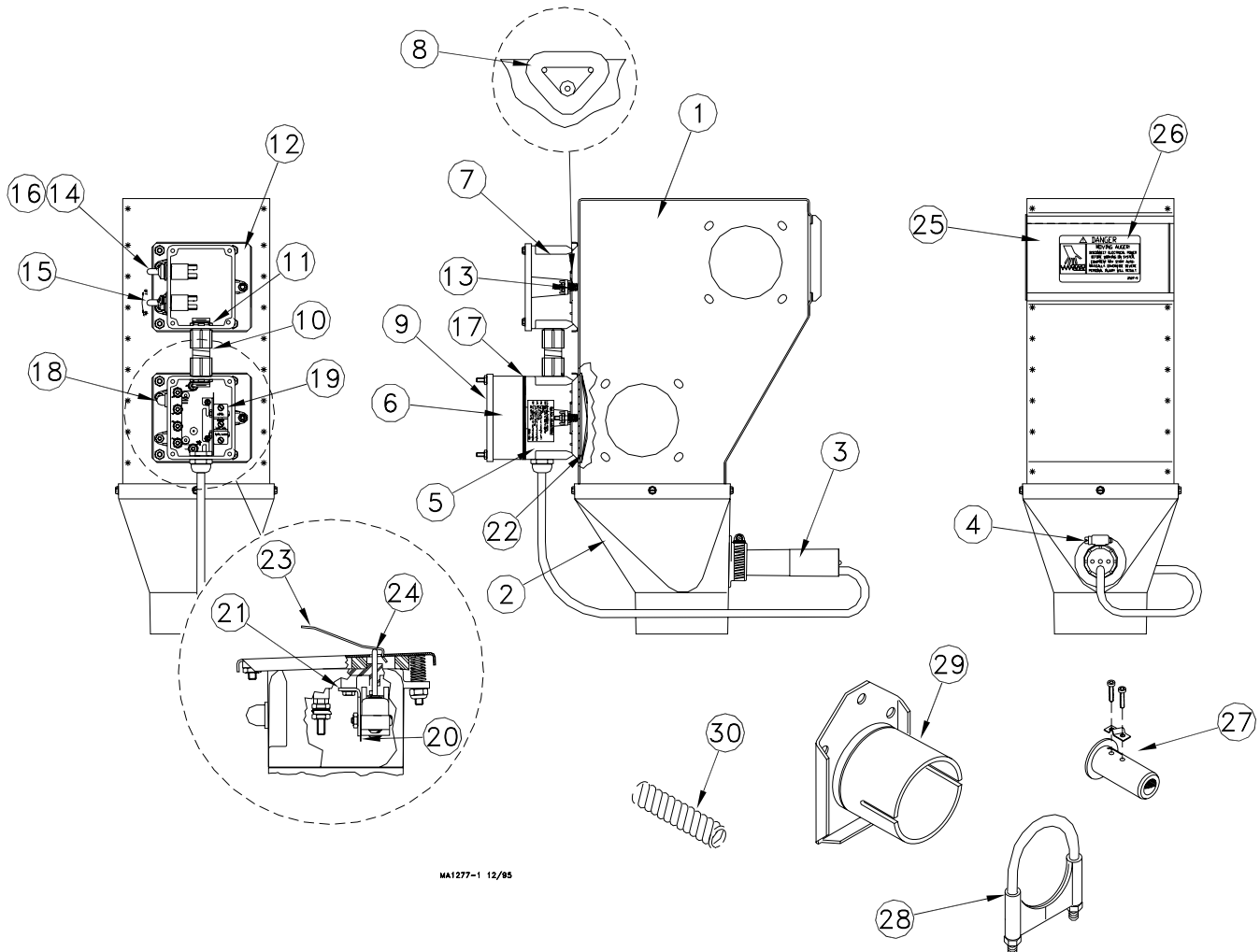
MA1064-4 9/94

Twin Model 90 Control Unit: 36974

Item	Description	Mfg'd 10/1995 thru 5/2000	Mfg'd 5/2000 to Present
		Part No	Part No
1	Twin Control Body Weldment	36943	36943
2	Weldment Drop	35788	35788
3	Proximity Switch	34255	34255
4	1 7/8" Adjustable Clamp	3527	3527
5	Terminal Box	36554	36554
6	Terminal Box	36946	36946
7	Terminal Box	36955	36955
8	Gasket	6968-1	6968-1
9	Switch Box Cover	6776	6776
10	Conduit Assembly	36554	36554
11	1/2" Conduit Locknut	3357	3357
12	Switch Mounting Plate	7908	7908
13	Compression Spring	6972	6972
14	Toggle Switch	7767	7767
15	On-Off Dial	1740	1740

Item	Description	Mfg'd 10/1995 thru 5/2000	Mfg'd 5/2000 to Present
		Part No	Part No
16	Toggle Switch Boot	13406	13406
17	Gasket	6777	6777
18	Pilot Light Assembly	7044	7044
19*	SPDT Actuator Switch	7114	46091
20	Switch Insulation	1907-5	1907-5
21	Switch Bracket	7068	46122
22	Diaphragm Assembly	7900	7900
23	Paddle	7876	7876
24	Pin	6775	6775
25	Slide	5073	5073
26	Danger Decal	2527-9	2527-9
27	Model 90 Driver Assembly	6861	6861
28	Tube Clamp Kit	6721	6721
29	Tube Anchor Weldment	5069	5069
30	1/2" Flexible Conduit	26982-10	26982-10

*Use Kit Part Number: 46678 when replacing the (Part Number 7114) switch that was purchased before May 2000.



MA1277-1 12/95