

Feed Screeners

Model 90 Screener: 25895

Model 108 Screener: 34347

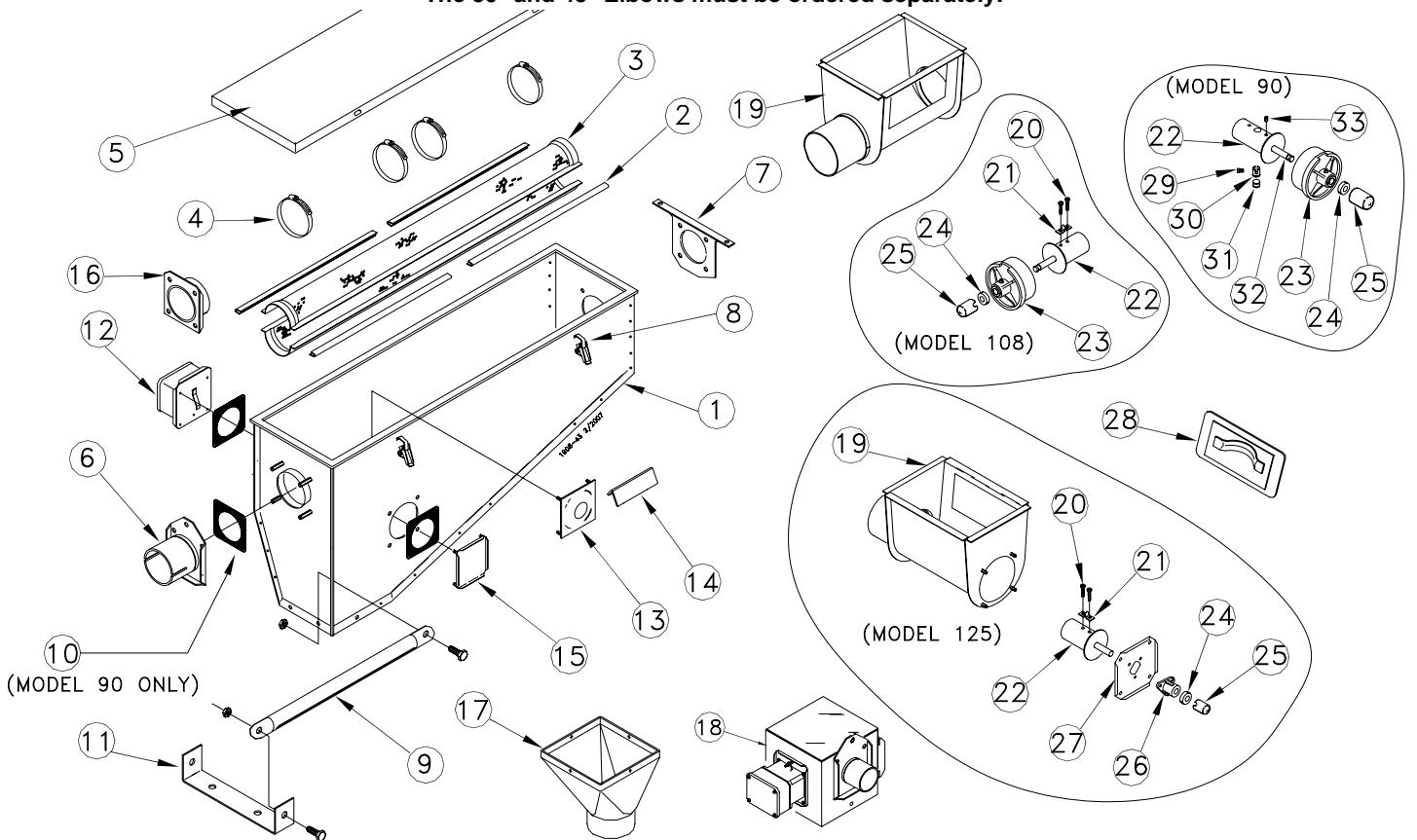
Model 125 Screener: 25712

Manufactured until 3/2002

Item	Description	25895	34347	25712
		Model 90	Model 108	Model 125
1	Screener Hopper	26044	30517	25718
2	Screener Retainer	24796	6226	6226
3	Screen	7436	30519	9988
4	Clamp	35245	13948	13948
5	Screener Cover	26041	25719	25719
6	Tube Anchor	5069	34543	25341
7	Support Bracket	26047	26047	26047
8	Over Center Clamp	2536	2536	2536
9	Pipe Brace	---	24316	24316
10	Seal	4873	4873	4873
11	Pad Brace	---	24317	24317
12	Lower Hopper Switch	7840	7840	7840
13	Diaphragm Assembly	7900	7900	7900
14	Deflector	28281	28281	28281
15	Cover Plate	4878	4878	4878
16	Extruded Plate	22084	---	---
17	Drop	13803	---	---
18	Control Unit	24482	25688	25688

Item	Description	25895	34347	25712
		Model 90	Model 108	Model 125
19	Boot Weldment	28873	30386	28882
20	5/16-18 Skt Hd Set Screw	---	6850-1	6850-1
21	Anchor Clamp	---	7703	7703
22	Anchor Tube Weldment	26048	34369	26050
23	Bearing Cap Assembly	34830	30314	---
24	5/8" Set Collar	1386	1386	1386
25	Safety Cap	29702	29702	29702
26	Bearing Assembly	---	---	14144
27	Bearing Plate	---	---	24004
28	Clean-Out Cover Assy	6197	6197	6197
29	5/16-18 Sq. Hd Set Screw	5095	---	---
30	Clamp Pin	4702	---	---
31	Clamp Spacer	5009	---	---
32	Anchor Shaft	43281	---	---
33	5/16-18 x 3/8" Set Screw	1174	---	---
--	Drop Tube	24484	24233	24233
*--	30° Elbow	---	24301	24301
*--	45° Elbow	6472	---	---

*The 30° and 45° Elbows must be ordered separately.

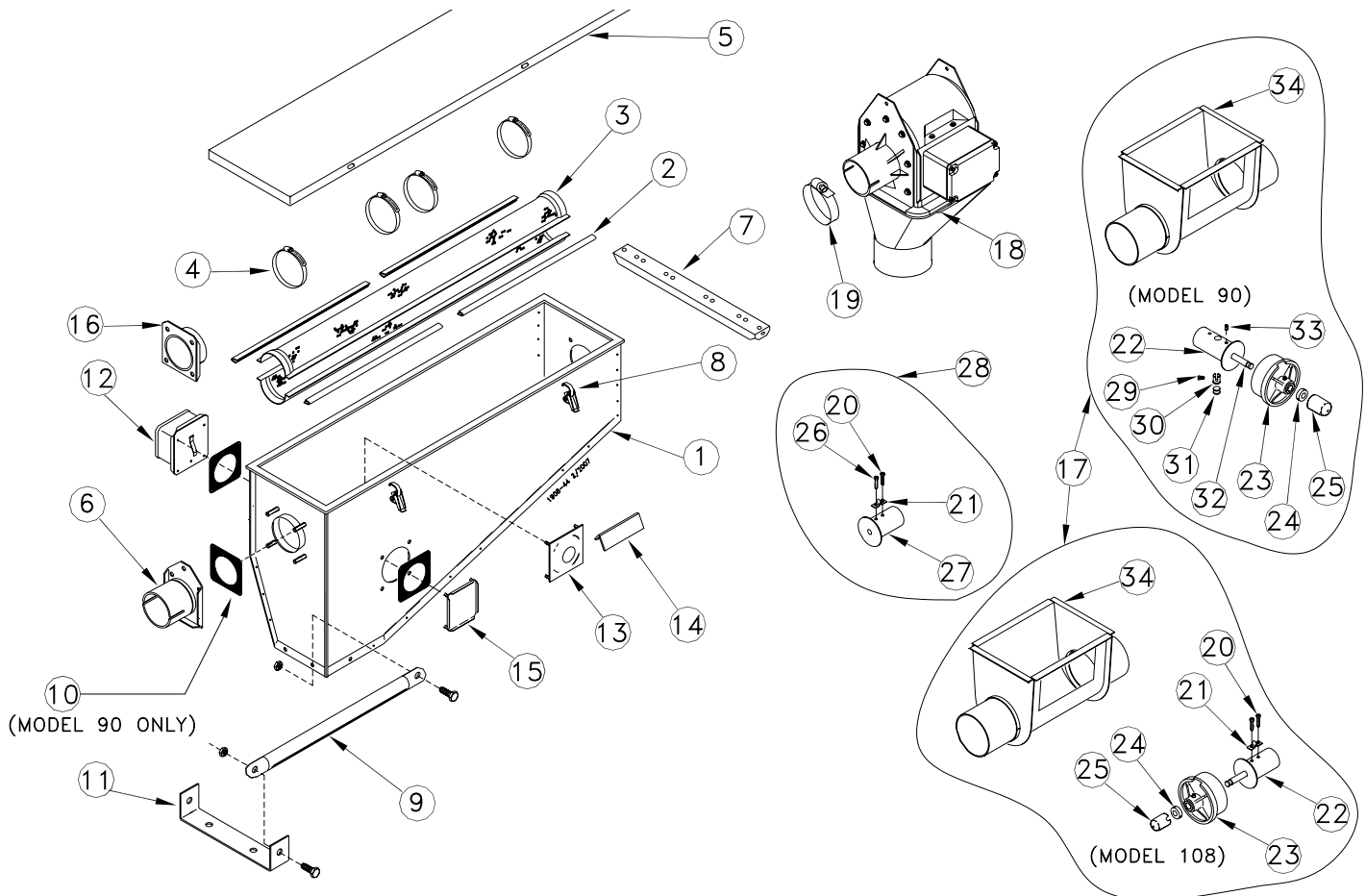


Model 90 Screener: 47711

Model 108 Screener: 47732

Item	Description	47711	47732
		Model 90	Model 108
1	Screener Hopper	26044	30517
2	Screener Retainer	24796	6226
3	Screen	7436	30519
4	Clamp	35245	13948
5	Screener Cover	47713	47735
6	Tube Anchor	5069	34543
7	Motor Brace	47718	47718
8	Over Center Clamp	2536	2536
9	Pipe Brace	----	24316
10	Seal	4873	4873
11	Pad Brace	----	24317
12	Lower Hopper Switch	7840	7840
13	Diaphragm Assembly	7900	7900
14	Deflector	28281	28281
15	Cover Plate	4878	4878
16	Extruded Plate Weldment	22084	----
17	Boot Assembly	24291	34351
18	Control Unit	46800-23	46800-24
19	Adjustable Clamp	47652-1	47652-2

Item	Description	47711	47732
		Model 90	Model 108
20	5/16-18 Skt Hd Set Screw	6850-3	6850-1
21	Anchor Clamp	7703	7703
22	Anchor	26048	34369
23	Bearing Cap Assembly	34380	30314
24	5/8" Set Collar	1386	1386
25	Safety Cap	29702	29702
26	5/16-18 Skt Hd Set Screw	6850-4	6850-2
27	Driver	25705	34350
28	Driver Assembly	45701	34349
29	5/16-18 Sq. Hd Set Screw	5095	----
30	Clamp Pin	4702	----
31	Clamp Spacer	5009	----
32	Anchor Shaft	43281	----
33	5/16-18 x 3/8" Set Screw	1174	----
34	Boot Body	28873	30386

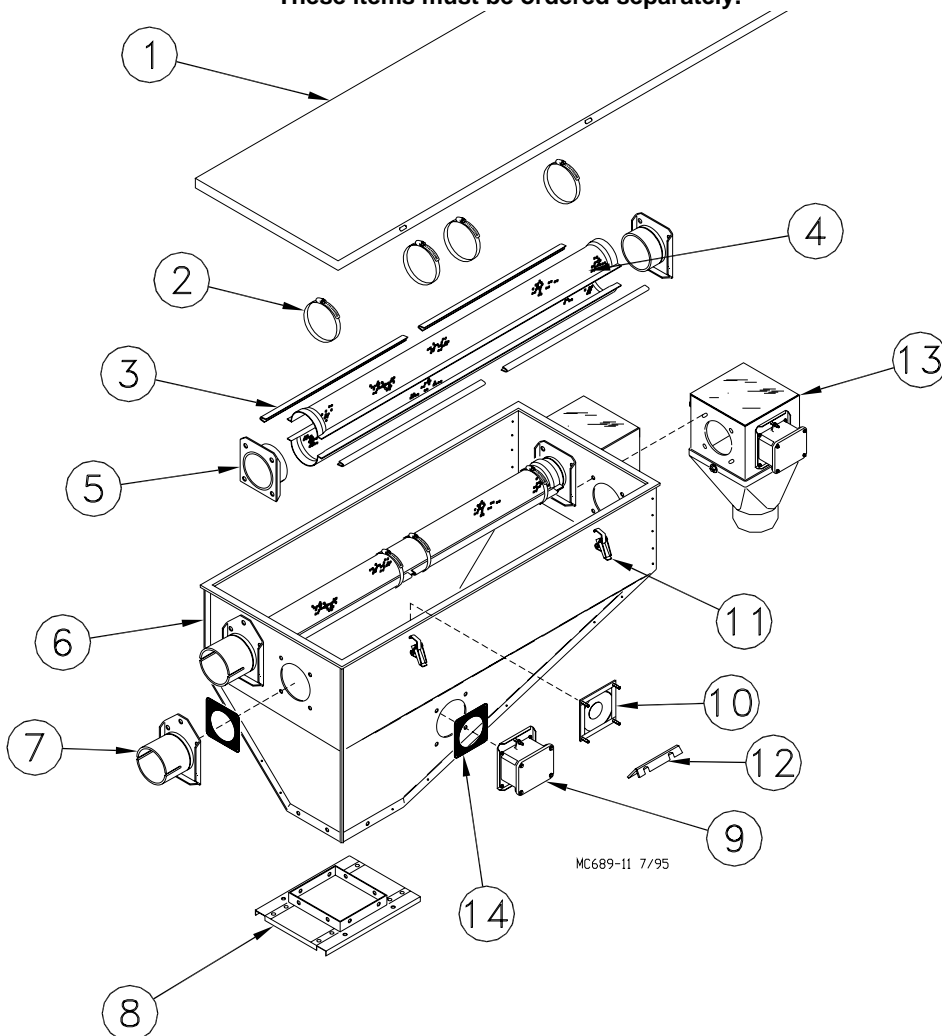


Dual Model 90 Screener: 27540

Manufactured until 3/2002

Item	Description	Part No
1	Screener Hopper Cover	24793
2	Clamp	35245
3	Screener Retainer	24796
4	Screen	7436
5	Extruded Plate	22084
6	Screener Hopper	24794
7	Tube Anchor	5069
8	Screener Transfer	27387
9	Lower Hopper Switch	7840
10	Diaphragm Assembly	7900
11	Over Center Clamp	2536
12	Deflector	28281
*13	Screener Control Unit	25720
14	Seal	4873
--	Drop Tube	24233
**--	45 Degree Elbow	6474
--	Tube Clamp	6721
**--	Junction Box	25694

****These items must be ordered separately.**



Dual Model 90 Screener: 47720

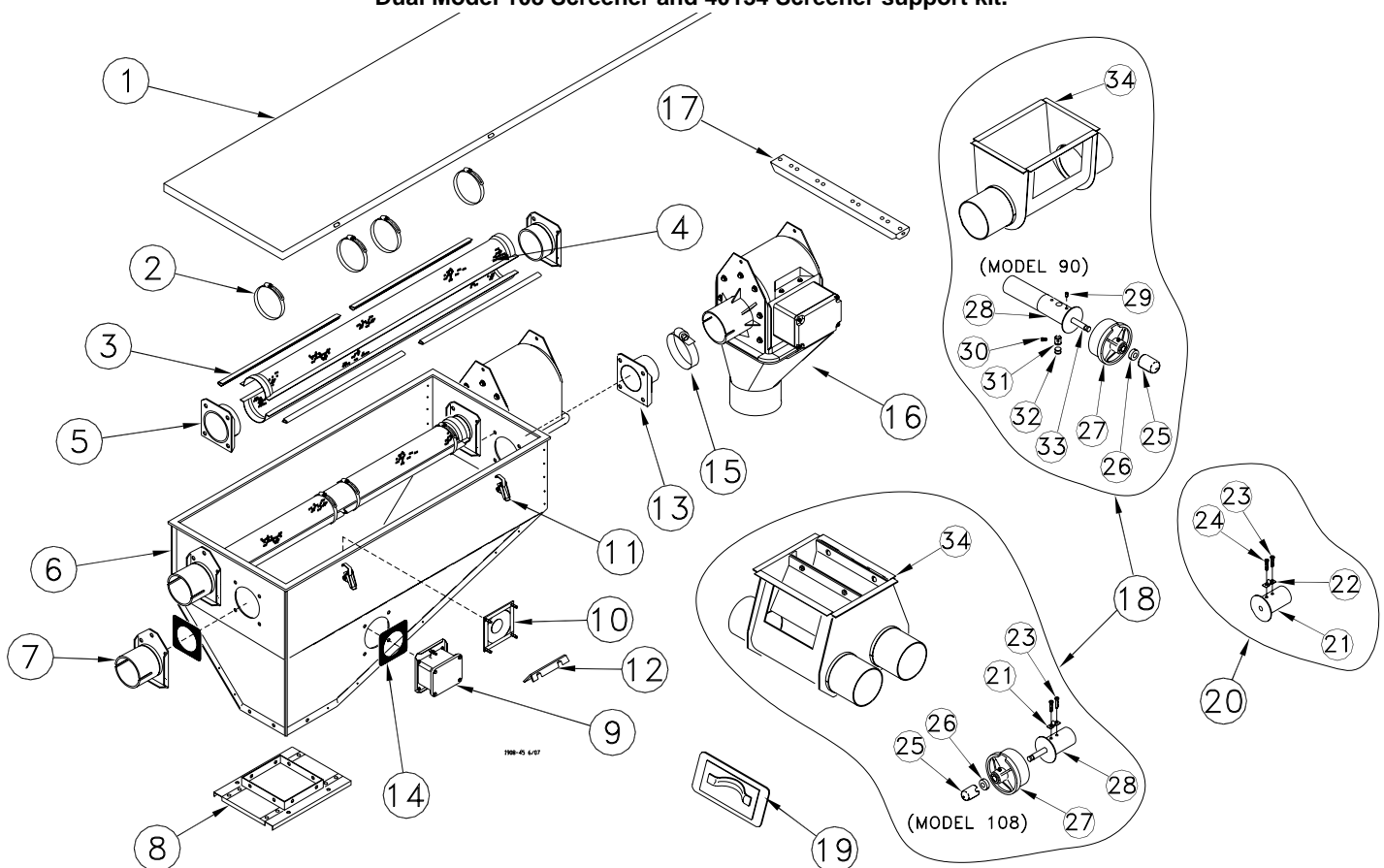
Dual Model 108 Screener**

Item	Description	47720	**
		Model 90	Model 108
1	Screener Hopper Cover	47723	47741
2	Clamp	35245	13948
3	Screen Retainer	24796	6226
4	Screen	7436	30519
5	Extruded Plate	22084	40115
6	Screener Hopper	24794	----
7	Tube Anchor	5069	34543
8	Screener Transfer	27387	27387
9	Lower Hopper Switch	7840	7840
10	Diaphragm Assembly	7900	7900
11	Over Center Clamp	2536	2536
12	Deflector	28281	28281
13	Control Anchor	47715	47733
14	Seal	7900	4873
15	Adjustable Clamp	47652-1	47652-2
16	Control Unit	46800-23	46800-24
17	Motor Brace	47718	47718
18	Boot Assembly	9309	46962
19	Clean-Out Cover Assembly	6197	6197

Item	Description	47720	**
		Model 90	Model 108
20	Driver Assembly	47722	34349
21	Driver	27205	34350
22	Anchor Clamp	7703	7703
23	5/16-18 Skt Hd Set Screw	6850-3	6850-1
24	5/16-18 Skt Hd Set Screw	6850-4	6850-2
25	Safety Cap	29702	29702
26	5/8" Set Collar	1386	1386
27	Bearing Cap Assembly	34830	30314
28	Anchor	6833	34369
29	5/16-18 x 3/8" Set Screw	1174	----
30	5/16-18 x 5/8" Sq. Hd Set Screw	5095	----
31	Clamp Pin	4702	----
32	Clamp Spacer	5009	----
33	Anchor Shaft	43281	----
34	Boot Body	28878	35617
--	Drop Tube	24481	24233
--	Junction Box Assembly	46071	---
--	Screener Support Kit	27541	*40134

***Must be ordered separately.**

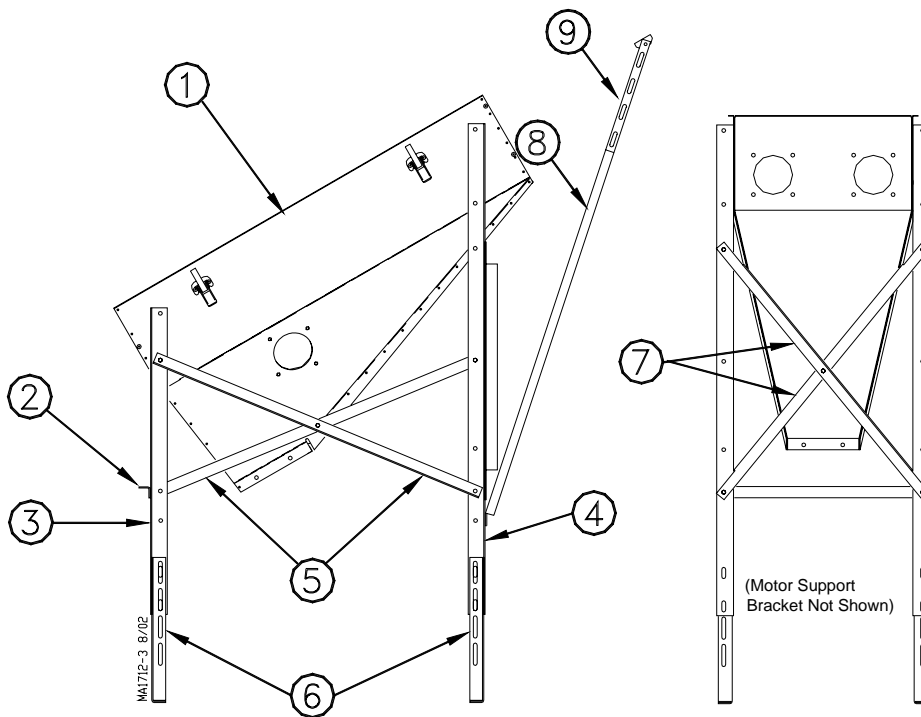
****Dual Model 108 Screener can be ordered using the following Part Numbers; 47739 Screener assembly kit, 47740 Dual Model 108 Screener and 40134 Screener support kit.**



Dual Model 90 Support Kit: 27541

Dual Model 108 Support Kit: 40134

		27541	40134
Item	Description	Part No	Part No
1	Screener	---	---
2	Front Cross Brace	27616	40130
3	Short Leg	27619	27619
4	Long Leg	27621	40133
5	Side "X" Brace	27618	40132
6	Extension Leg	27620	27620
7	Rear "X" Brace	27617	40131
8	Motor Support Angle (L. H.)	47726-1	47726-1
	Motor Support Angle (R. H.)	47726-2	47726-2
9	Adjustment Angle	47727	47727



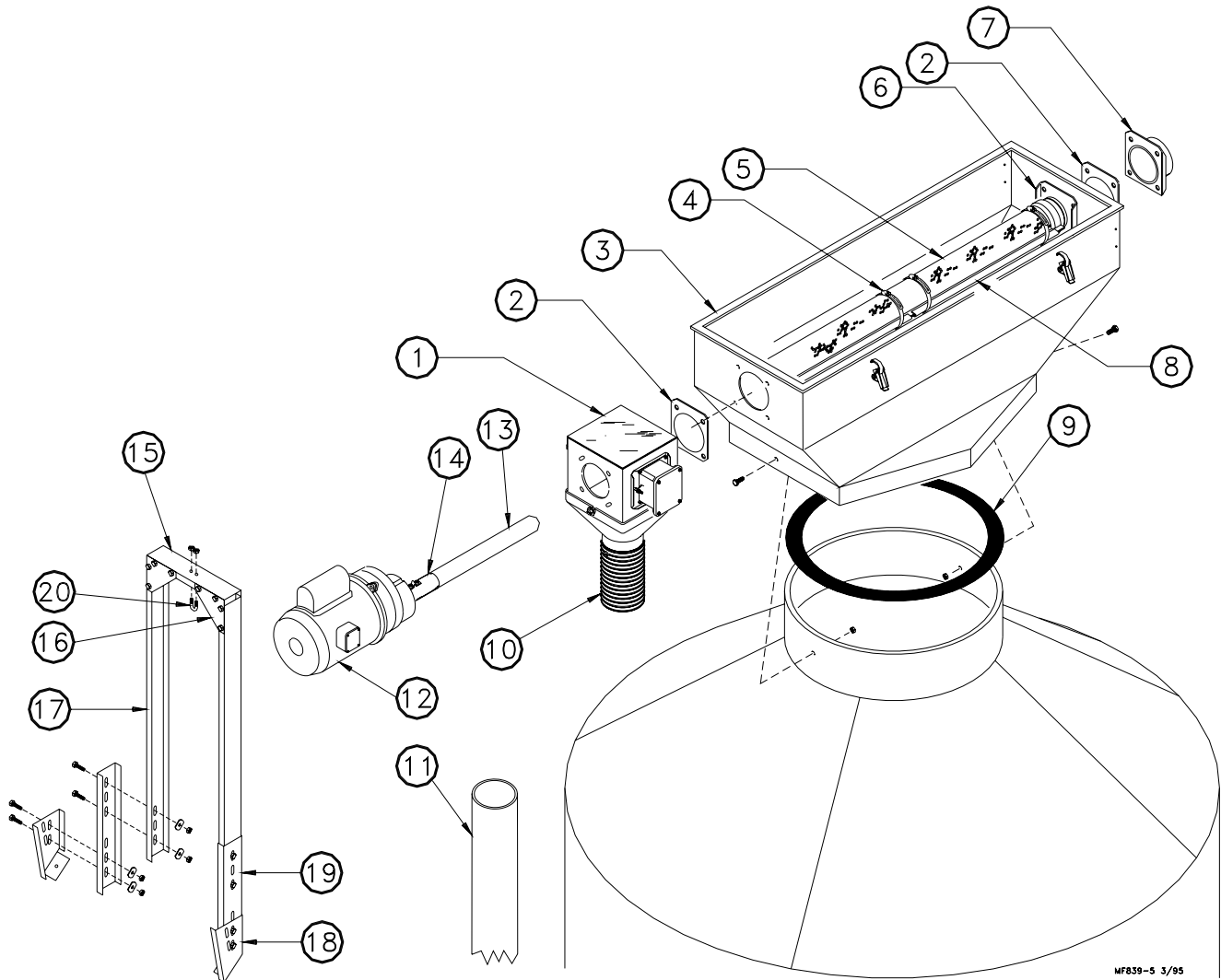
WEIGH-MATIC® Model 90 Screener: 25432

Item	Description	Mfg'd	Mfg'd
		5/1989 thru 4/2000	4/2000 to 3/2002
Part No	Part No	Part No	Part No
1	Control Unit Head	25720	25720
2	Seal	4873	4873
3	Cover Weldment	25446	25446
4	Clamp	6183	6183
5	Screen	7436	7436
6	Extruded Plate	22084	22084
7	Anchor Tube	5069	5069
8	Screen Retainer	24796	24796
9	Sponge Tubing (6')	5928	5928
10	Flexible Drop Tube	25702	25702
11	Drop Tube (Sold Separately)	6381	6381
12	Power Unit (Sold Separately)	3259-52	3259-52

Item	Description	Mfg'd	Mfg'd
		5/1989 thru 4/2000	4/2000 to 3/2002
Part No	Part No	Part No	Part No
*13	Agitator	25674	25674
*14	Driver Assembly	25705	25705
**15	Top Channel	25469	25469
**16	Corner Support	25470	25470
**17	Support Channel	25468	25468
**18	Foot Mount (L.H.)	25467-1	25467-1
	Foot Mount (R.H.)	25467-2	25467-2
**19	Channel Support Extension	35800	35800
**20	U-Bolt	28874	28874
--	Junction Box Assembly	25694	46071
--	Screener Cover	25701	25701

*May be ordered as an assembly, Part No. 25704

**May be ordered as an assembly, Part No. 25472



MF839-5 3/95

WEIGH-MATIC® Model 90 Screener: 47730

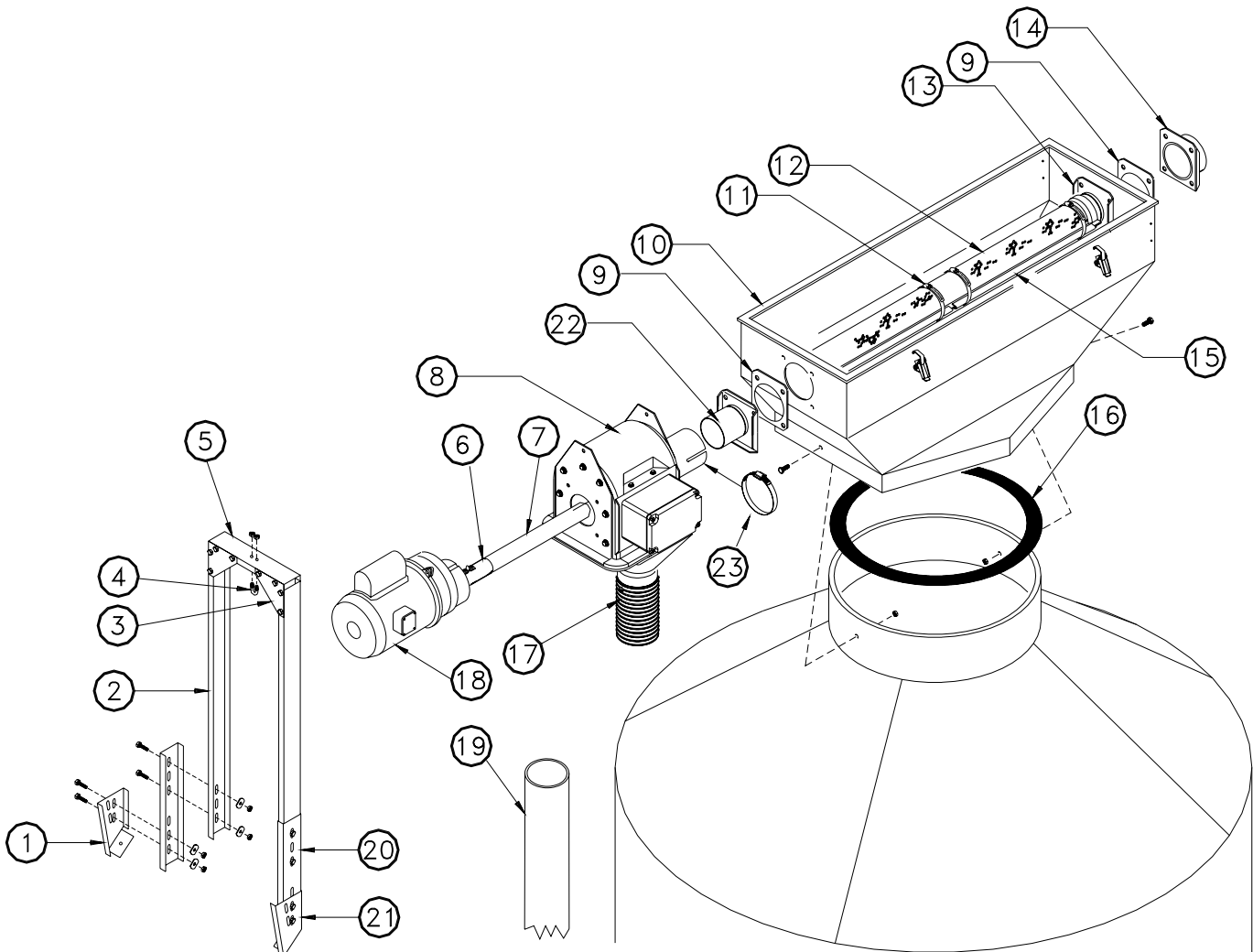
Manufactured 3/2002 to present

Item	Description	Part No
**1	Foot (R.H.)	25467-2
**2	Support Channel	25468
**3	Corner Support	25470
**4	“U” Bolt	28874
**5	Top Channel	25469
*6	Driver Assembly	25705
*7	Agitator	47717
8	Control Unit Head	46800-23
9	Seal	4873
10	Screener Body	25446
11	Clamp	6183
12	Screen	7436

Item	Description	Part No
13	Extruded Plate	22084
14	Anchor Tube	5069
15	Screen Retainer	24796
16	Lid Seal Gasket	5928
17	Flexible Drop Tube	48032
18	Power Unit (Sold Separately)	3259-52
19	Drop Tube (Sold Separately)	6381
**20	Support Channel Extension	35800
**21	Foot (L.H.)	25467-1
22	Control Anchor	47715
23	H.D. Adjustable Clamp	47652-1
--	Junction Box Assembly	46071
--	Screener Cover	25701

*May be ordered as an assembly, Part No. 47722.

**May be ordered as an assembly, Part No. 47731.



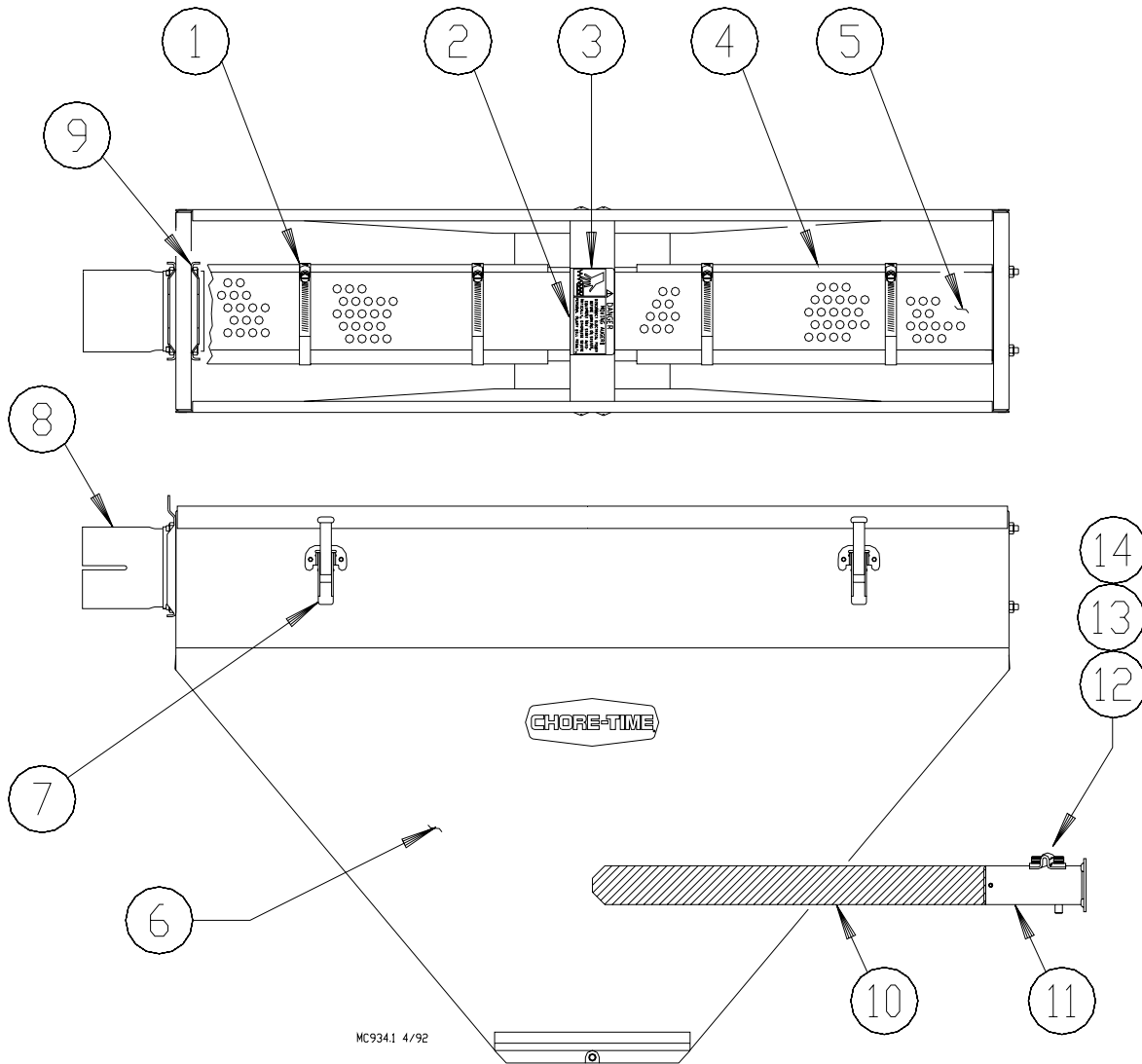
MF1291-5 08/02

Dead End Screener: 27545

Item	Description	Mfg'd 3/1992 thru 10/1996 Part No	Mfg'd 10/1996 thru 4/2000 Part No	Mfg'd 4/2000 to 3/2002 Part No
1	Clamp	13948	35245	35245
2	Brace	27101	27101	27101
3	Caution Decal	2527-9	2527-9	2527-9
4	Screener Retainer	24796	24796	24796
5	Screen	7436	7436	7436
6	Body Weldment	27092	27092	27092
7	Over Center Clamp	2536	2536	2536
8	Tube Anchor Weldment	27086	27086	27086
9	Extruded Plate Weldment	22084	22084	22084

Item	Description	Mfg'd 3/1992 thru 10/1996 Part No	Mfg'd 10/1996 thru 4/2000 Part No	Mfg'd 4/2000 to 3/2002 Part No
*10	Agitator	25674	25674	25674
*11	Driver Weldment	25705	25705	25705
*12	5/16-18 Skt Hd Set Screw	6850-4	6850-4	6850-4
*13	5/16-18 Skt Hd Set Screw	6850-3	6850-3	6850-3
*14	Anchor Clamp	7703	7703	7703
--	Seal	4873	4873	4873
--	Screener Control Unit	25720	25720	25720
--	Junction Box	25694	25694	46071
--	Cover Assembly	27085	27085	27085

*These components may be ordered as an assembly, Part No 25704.



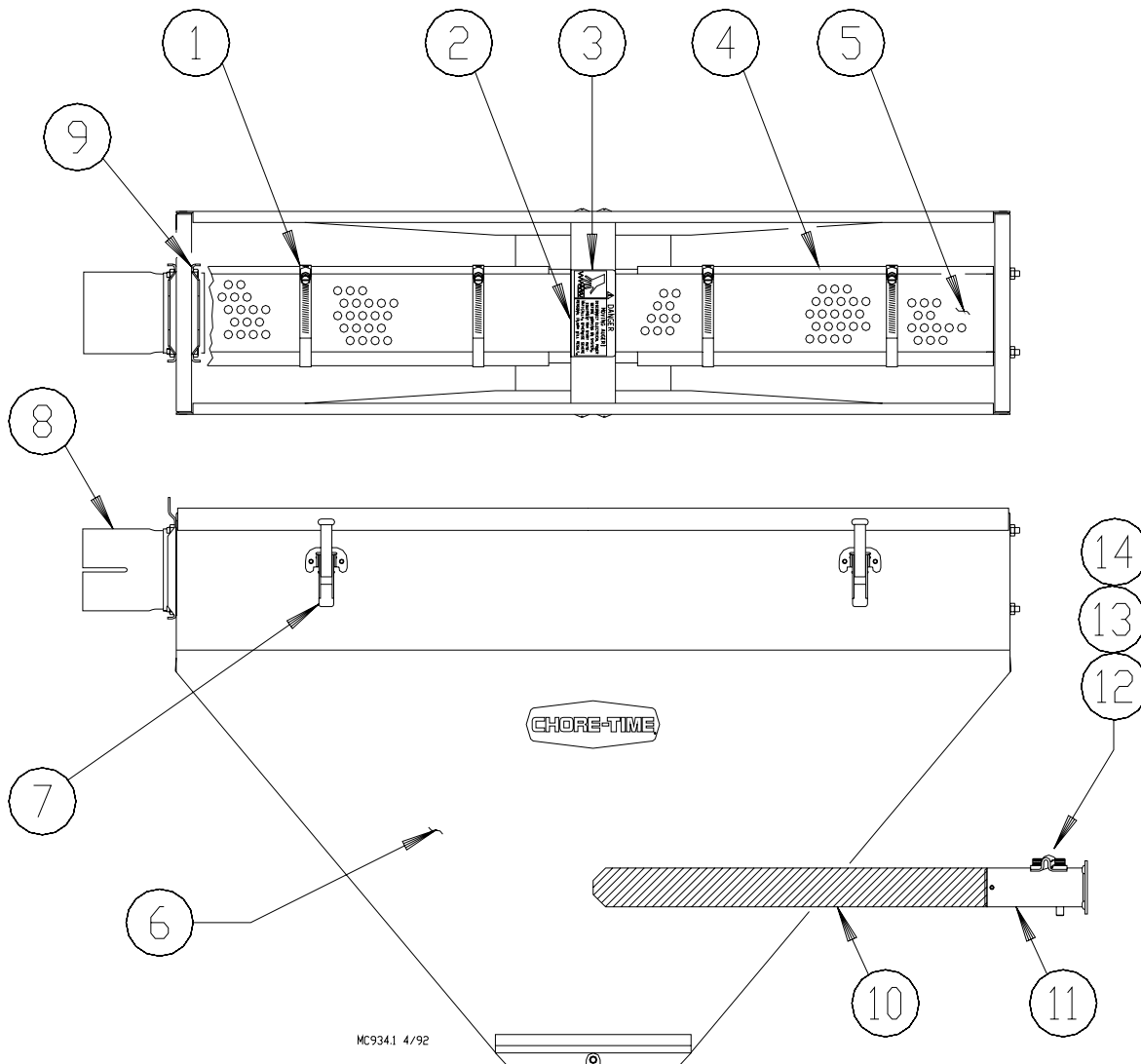
Dead End Screener: 47729

Manufactured 3/2002 to present

Item	Description	Part No
1	Clamp	35245
2	Brace	27101
3	Caution Decal	2527-9
4	Screen Retainer	24796
5	Screen	7436
6	Body Weldment	27092
7	Over Center Clamp	2536
8	Tube Anchor Weldment	27086
9	Extruded Plate Weldment	22084

Item	Description	Part No
*10	Agitator	47717
*11	Driver Weldment	25705
*12	5/16-18 Skt Hd Set Screw	6850-4
*13	5/16-18 Skt Hd Set Screw	6850-3
*14	Anchor Clamp	7703
--	Seal	4876
--	Screener Control Unit	46800-23
--	Junction Box	46071

*These components may be ordered as an assembly, Part No 47722.



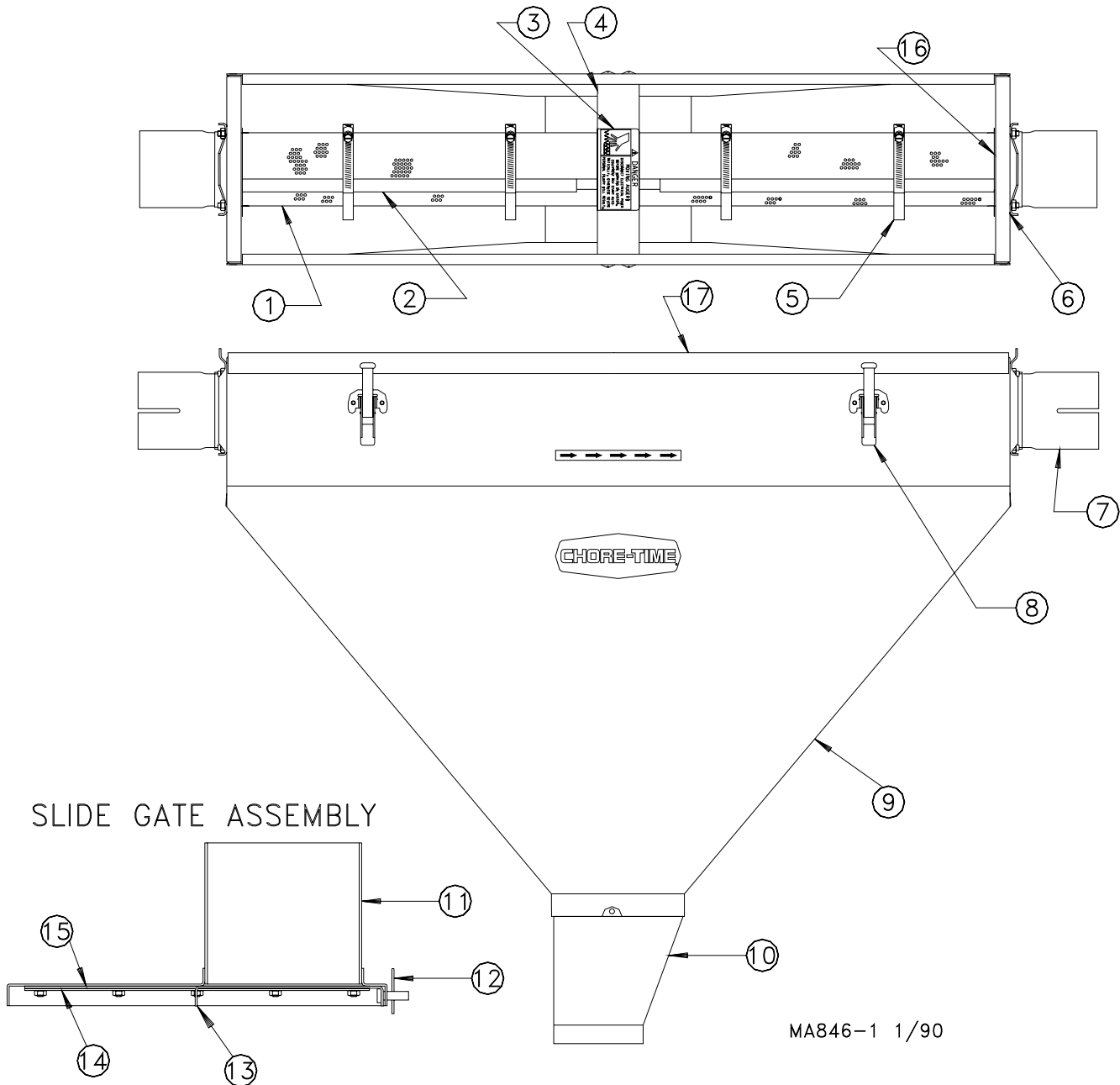
High-Moisture Corn Fines Reclaimer: 27088

Manufactured 1/1990 to 5/2002

Item	Description	Part No
1	Screen	27103
2	Screen Retainer	24796
3	Caution Decal	2527-9
4	Brace	27101
5	Clamp	13948
6	Seal	4873
7	Tube Anchor Weldment	27086
8	Over-Center Clamp	2536
9	Reclaimer Body Weldment	27092

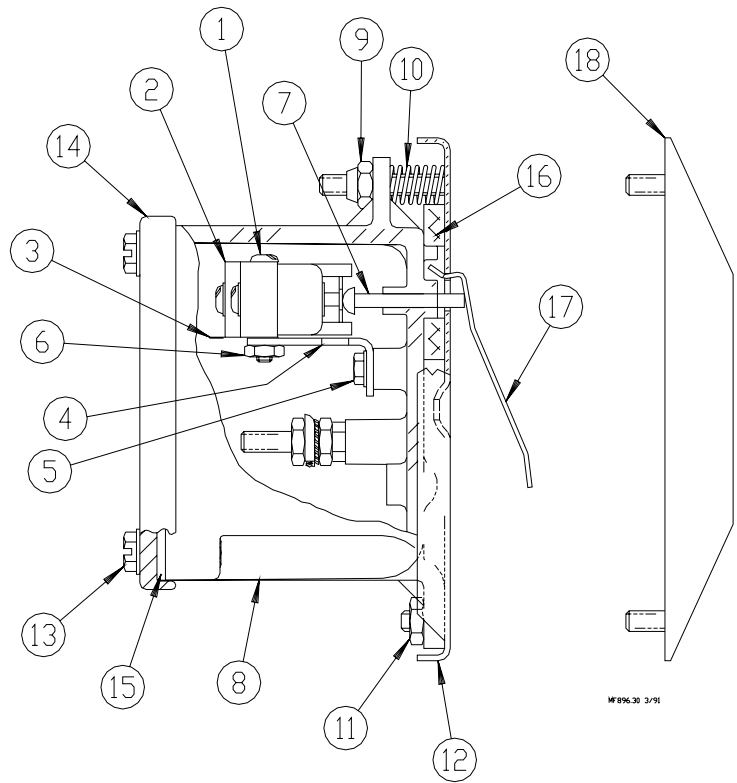
Item	Description	Part No
10	Control Drop	13803
*11	Frame Weldment	27095
*12	Hairpin	13906
*13	Slide Weldment	27098
*14	Slide Rail	27097
*15	Spacer Rail	27096
16	Anchor Weldment	27105
17	Cover Assembly	27085
*--	Model 90 Tube Clamp	6721

*These components may be ordered as a slide gate assembly, Part No. 27094.



Lower Hopper Switch: 8798

Item	Description	Part No	Part No
		Mfg'd until 5/2000	Mfg'd 5/2000 to present
1	6-32 x 7/8" Screw	1921	1921
*2	SPDT Actuator Switch	7114	46091
3	Switch Insulation	1907-5	1907-5
4	Switch Bracket	7068	7068
5	#6 x 3/8 Screw	6782	6782
6	#6-32 Nut	771	771
7	Pin	8757	8757
8	Switch Box	7841	7841
9	#10-32 Lock Nut	6963	6963
10	Spring	6972	6972
11	#10-32 Nut	4297	4297
12	Mounting Plate	7908	7908
13	#10 Twin Helix Screw	28075	28075
14	Switch Box Cover	6776	6776
15	Gasket	6777	6777
16	Gasket	6968-1	6968-1
17	Paddle	7896	7896
18	Diaphragm Assembly	7900	7900
--	Deflector	28281	28281
--	Warning Decal	2527-15	2527-15

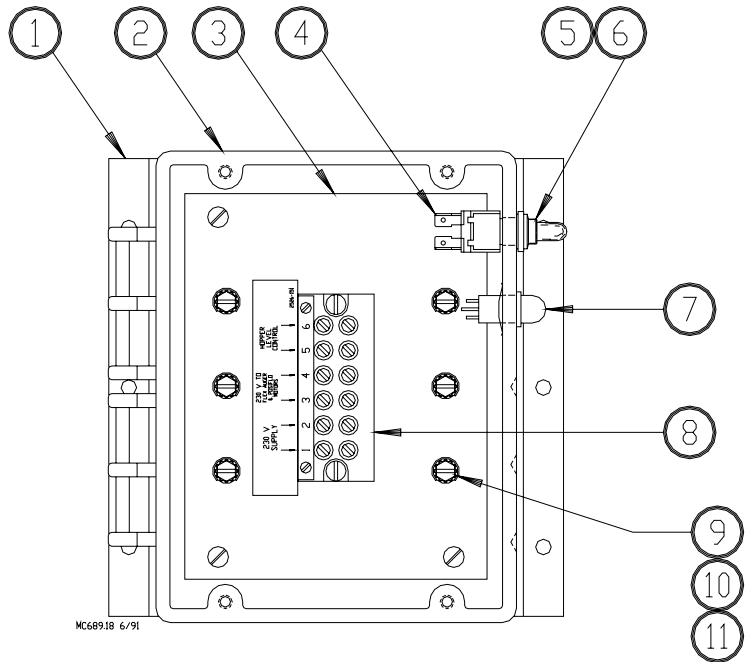


***Use Kit Part Number: 46678 when replacing the (Part Number 7114) switch that was purchased before May 2000.**

Junction Box Assembly: 25694

Manufactured Until 4/2000

Item	Description	Part No
1	Junction Box Plate	25692
2	Junction Box	25693
3	Mount Panel	25691
4	Toggle Switch	7767
5	Shoulder Nut	13407
6	Toggle Switch Boot	13406
7	Pilot Light	7044
8	Terminal Block	8848
9	#10-32 Ground Screw	4968
10	#10 Lock Washer	305
11	Cup Washer	5775
--	Warning Decal	2527-15



Junction Box Assembly: 46071

Manufactured 4/2000 to present.

Item	Description	Part No
1	Gasket	42854
2	Control Decal	2529-261
3	Plastic Screw	42849
4	Electric Box Cover	42851
5	Mount Panel	46072
6	Machined Electrical Box	43883-1
7	Toggle Switch	7767
8	Box Mount Panel	46069
9	Shoulder Nut	13407
10	Switch Boot	13406
11	Pilot Light	46047
12	6 Position Terminal Block	34925-6

