

Twin Control Unit
Model 90 (41940) and Model 108 (35325)
Installation Manual

Contact your nearby Chore-Time distributor or representative for additional parts and information.

Chore-Time Group, A division of CTB, Inc.

PO Box 2000

Milford, Indiana 46542-2000 USA

Phone (574) 658-4101 Fax (877) 730-8825

E-mail: poultry@choretime.com

Internet: www.choretimepoultry.com

Introduction:

The Twin Model 90 and 108 Control Units are designed to accept (2) Feed Delivery Systems. The units include (2) safety switches, (2) Anchor Weldments, (1) Proximity Switch, (1) Control Body, and (1) Control Funnel Weldment.

The Proximity Switch may be wired to operate each line independently or together. Refer to the appropriate wiring diagram (single or three-phase) in this instruction.

Installation:

1. Secure the Safety Switches to the ends of the Control Unit Body as shown in **Figure 1**, using 10-32 hardware supplied.
2. Secure the Anchor Tube Weldments to the Control Unit Body as shown, using 5/16-18 hardware supplied.

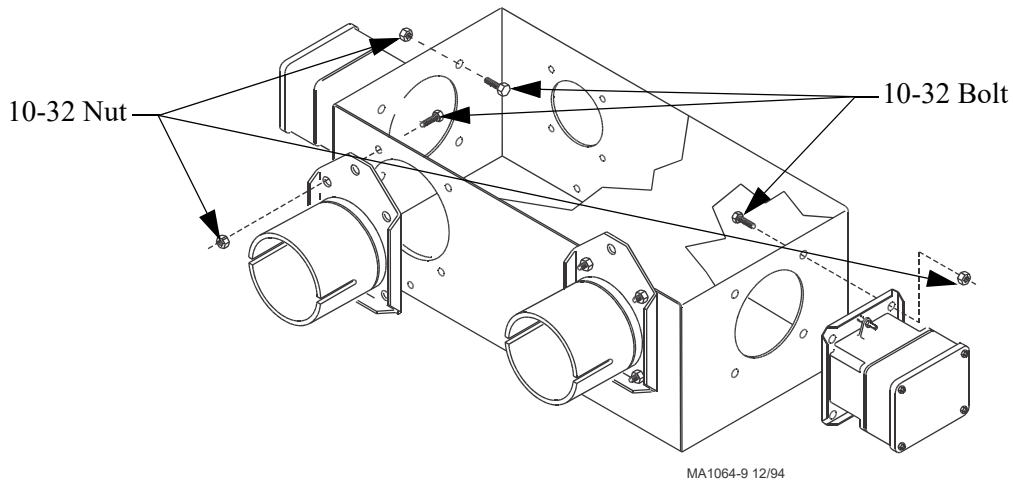


Figure 1. Safety Switch Installation

3. Install the Proximity Switch in the plastic Switch Mounting Plate. The sensing end of the Proximity Switch should be inserted approximately 1 inch (25 mm) into the hopper. Secure the Proximity Switch in place using the clamp supplied. (See **Figure 2**.)

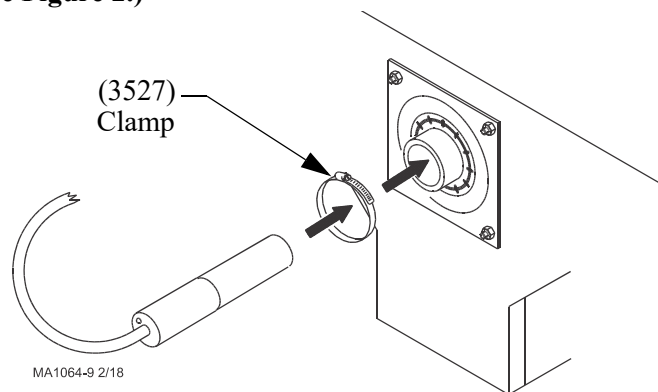


Figure 2. Proximity Switch Installation

4. Mount the Power Units (not supplied) on the Control Unit Body, opposite the Anchor Tube Weldments, using 5/16-18 hardware. (See **Figure 3.**)

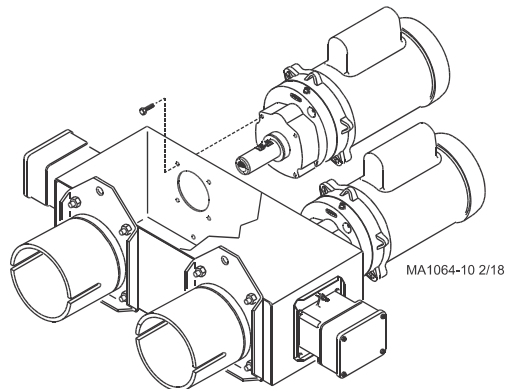


Figure 3. Mounting the Power Units

5. Secure the Hopper Weldment to the bottom of the Control Unit Body, as shown in **Figure 4**, using hardware provided.

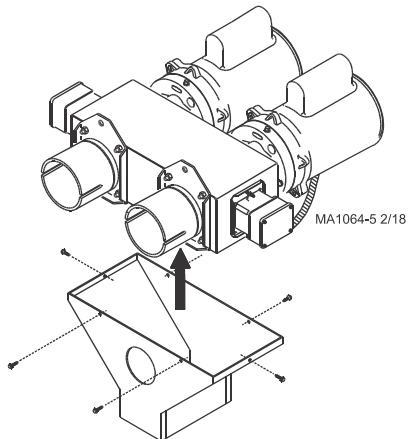


Figure 4. Secure the Hopper Weldment

6. Support the Control Unit/Power Units from the ceiling or rafters at the locations specified in **Figure 5**. Make sure the supporting structure is adequate to hold the Control Unit, Power Units, and feed.

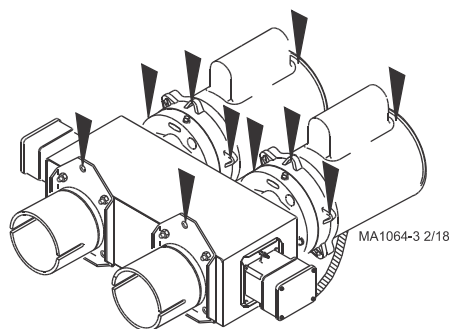
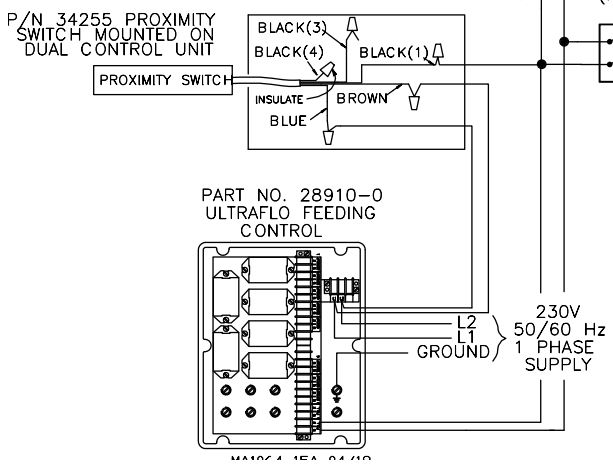
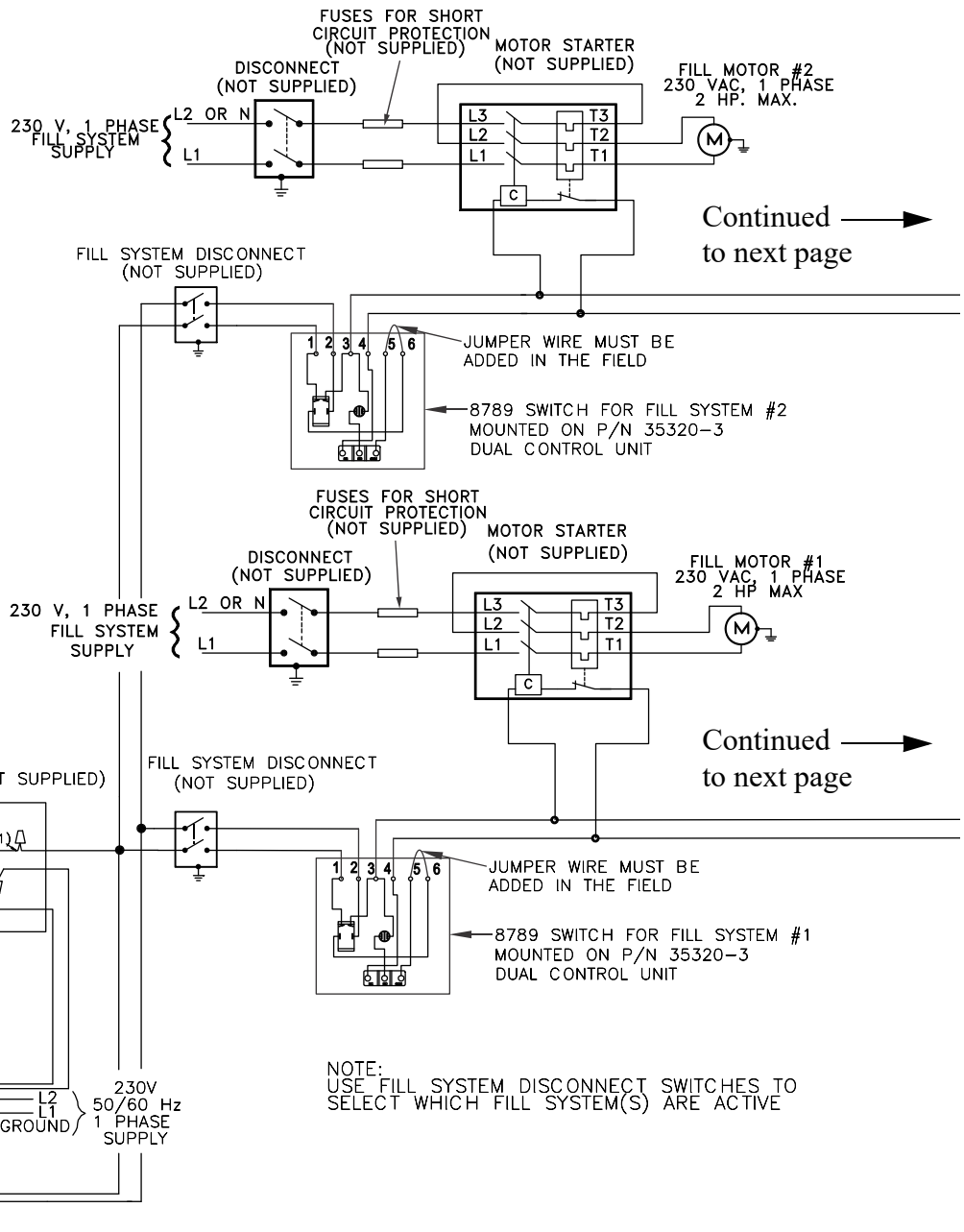
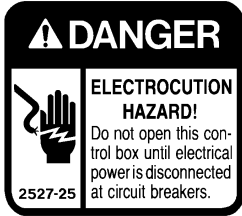


Figure 5. Ceiling Support

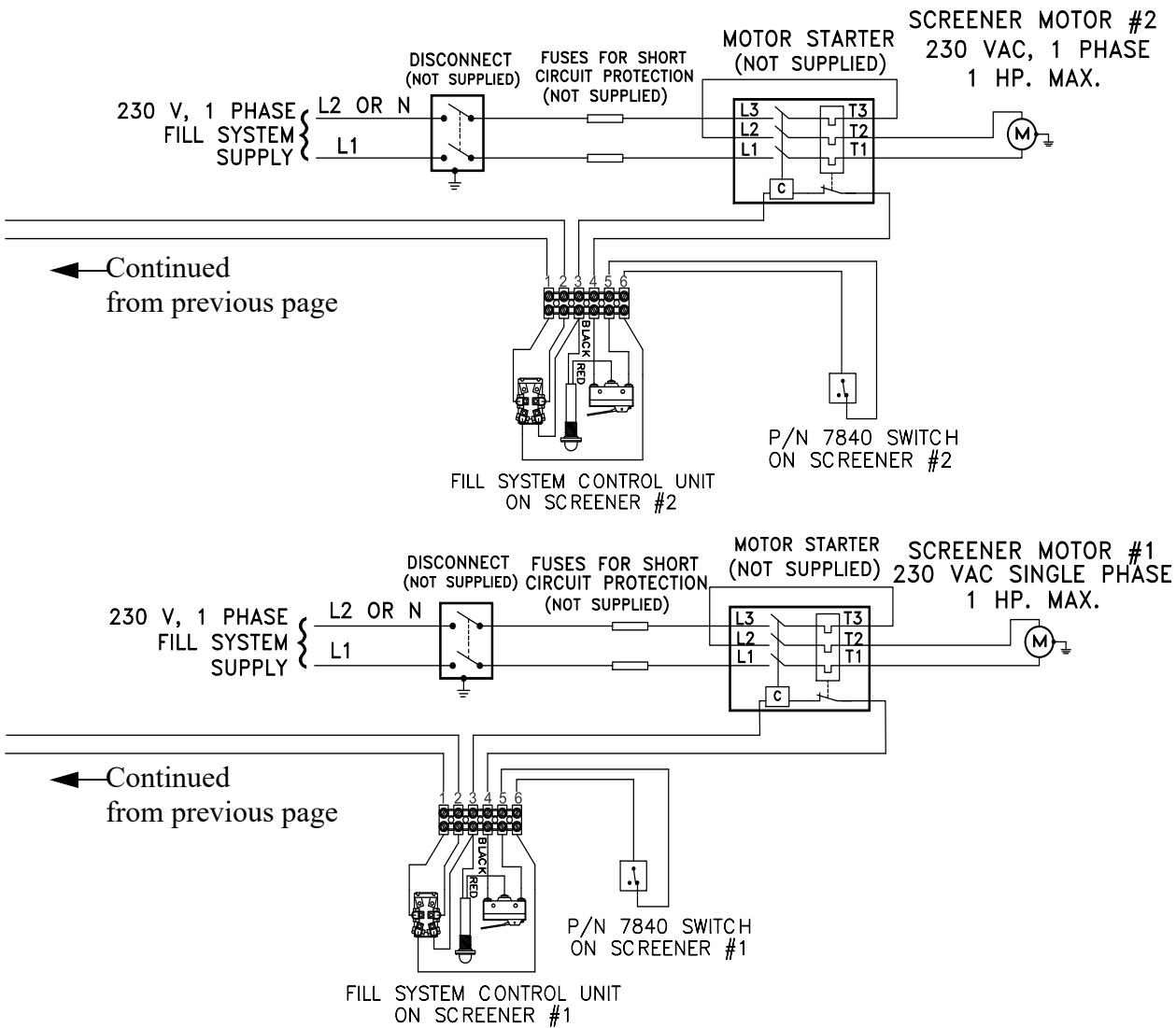
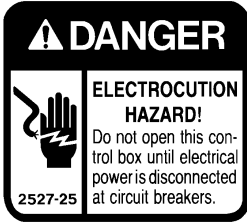
7. Wire the system according to the appropriate single or three phase wiring diagram provided. See “**Twin Model 90 or 108 Fill System Wiring Diagrams**” on page 4.

Wiring

Twin Model 90 or 108 Fill System Wiring Diagrams Single Phase with Starters (Page 1)



Single Phase with Starters (Page 2)



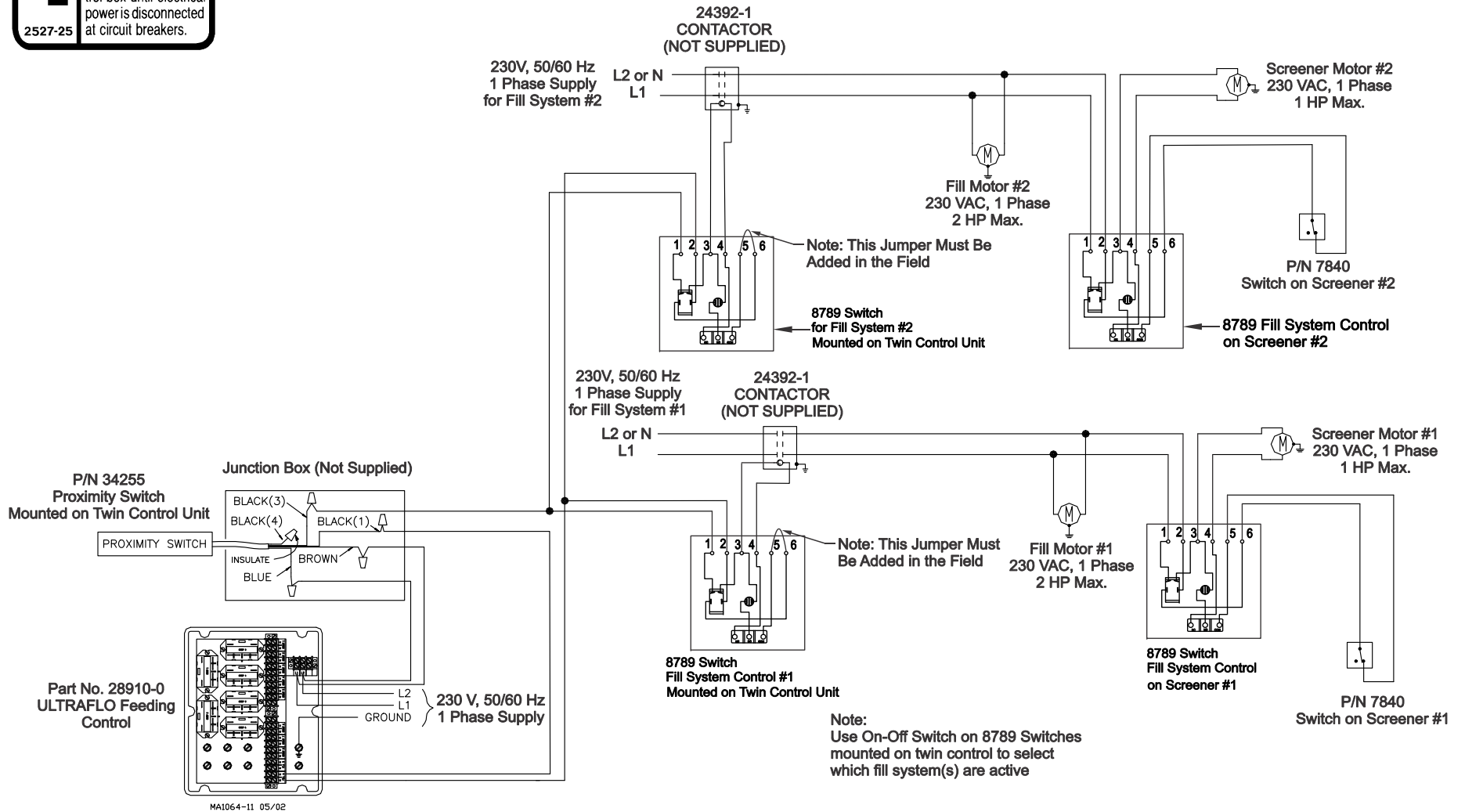
Single Phase without Starters

⚠ DANGER

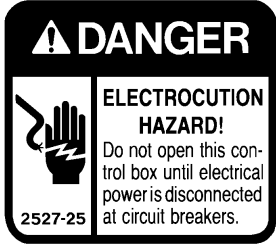
ELECTROCUTION HAZARD!

Do not open this control box until electrical power is disconnected at circuit breakers.

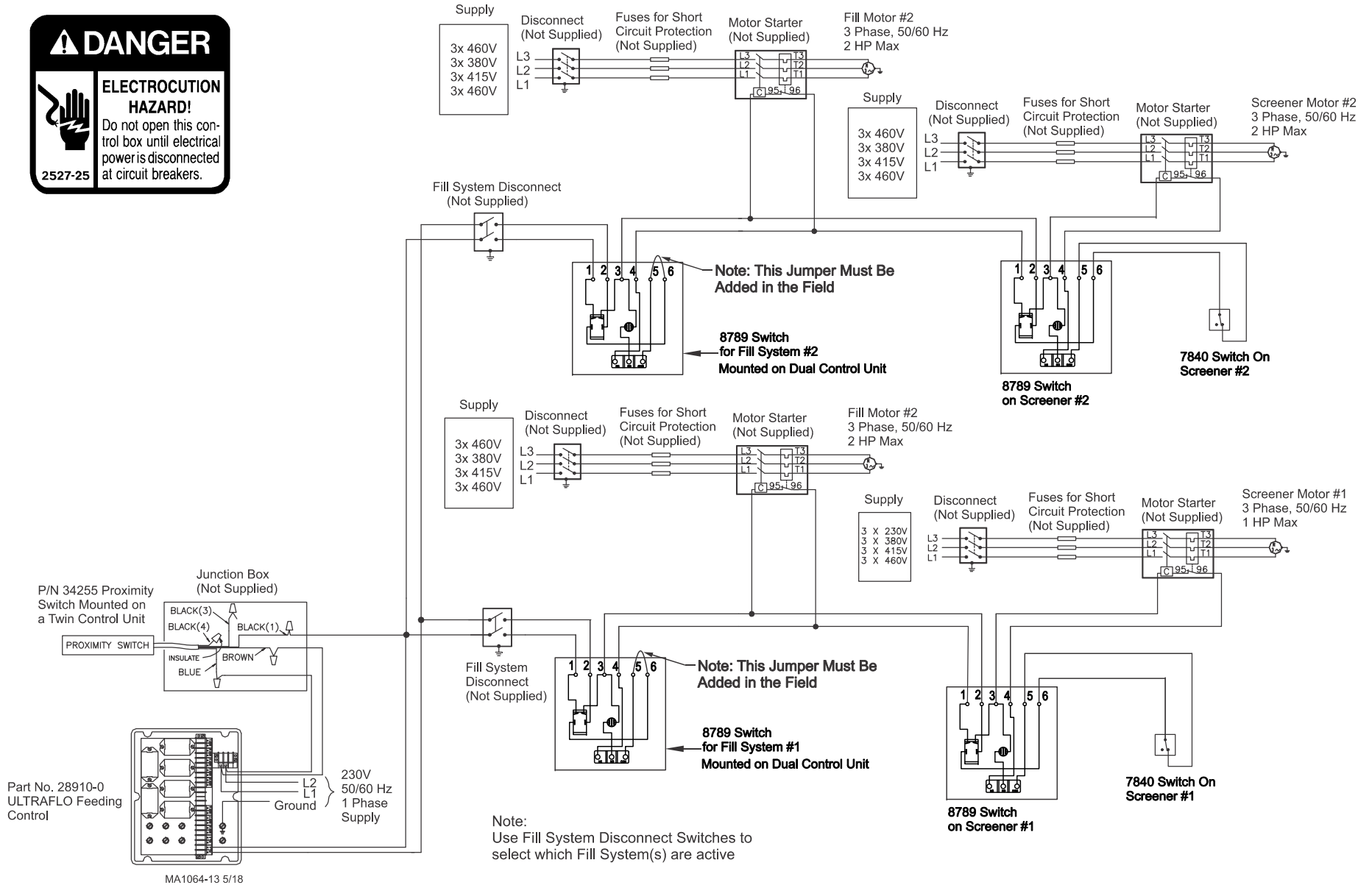
2527-25



MA1064-11 05/02

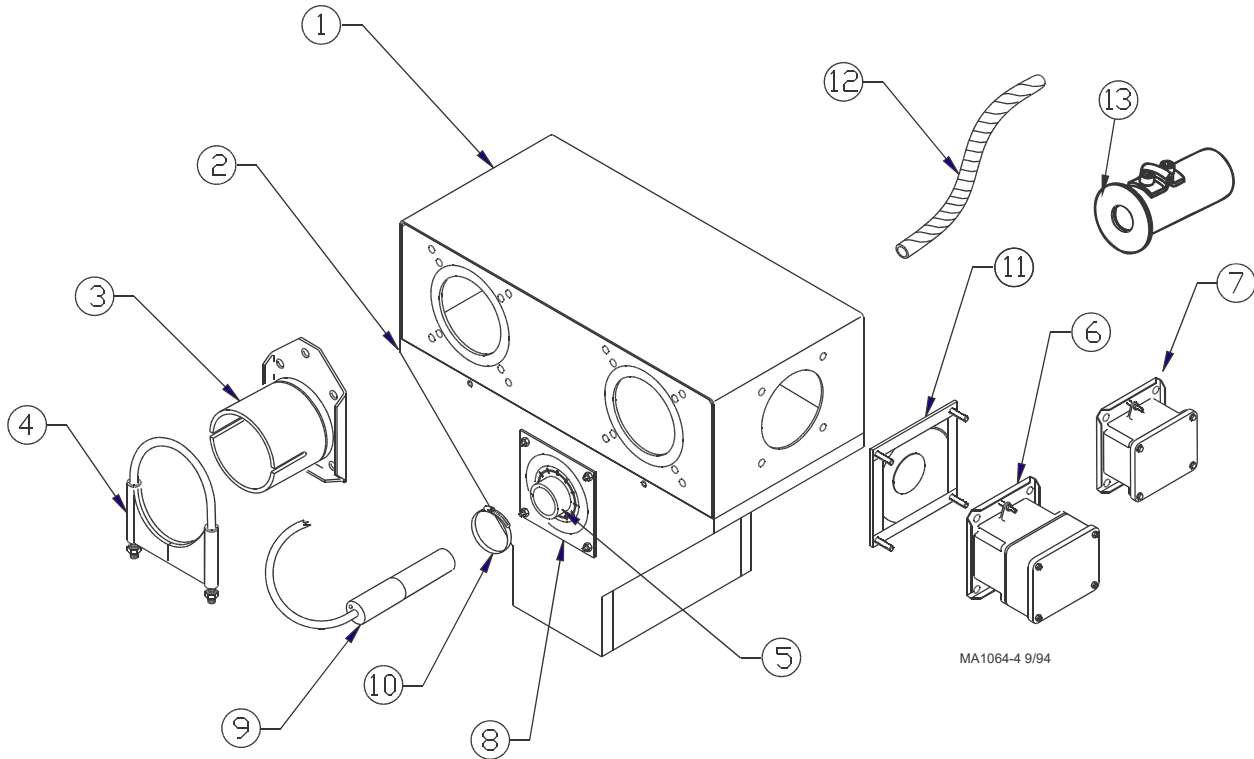


3 Phase with Starters



Parts Listing

Twin Model 90 and Model 108 Control Body Parts List



Item	Description	Model 90		Model 108	
		41940-1 Single Phase	41940-2 3 Phase	35325-1 Single Phase	35325-2 3 Phase
		Part No.			
1	Control Body Weldment	41941	41941	35314	35314
2	Control Hopper Weldment	35318	35318	35318	35318
3	Tube Anchor Weldment	5069	5069	34543	34543
4	Clamp	6721	6721	14373	14373
5	Proximity Plate Weldment	34758	34758	34758	34758
6	Switch Assembly	8789	----	8789	----
7	Switch Assembly	----	7840	----	7840
8	Window Plate	7842	7842	7842	7842
9	Proximity Switch	34255	34255	34255	34255
10	Adjustable Clamp	3527	3527	3527	3527
11	Diaphragm Assembly	7900	7900	7900	7900
12	Flexible Conduit	26982-10	26982-10	26982-10	26982-10
13	Driver Assembly	6861	6861	30313	30313

Revisions to this Manual

Page No.	Description of Change	ECO
Various	Updated Wiring diagrams, Updated Manual to new format	33211

Chore-Time Group, A division of CTB, Inc.
 PO Box 2000
 Milford, Indiana 46542-2000 USA
 Phone (574) 658-4101 Fax (877) 730-8825
 Internet: www.choretimepoultry.com
 Email: poultry@choretime.com