

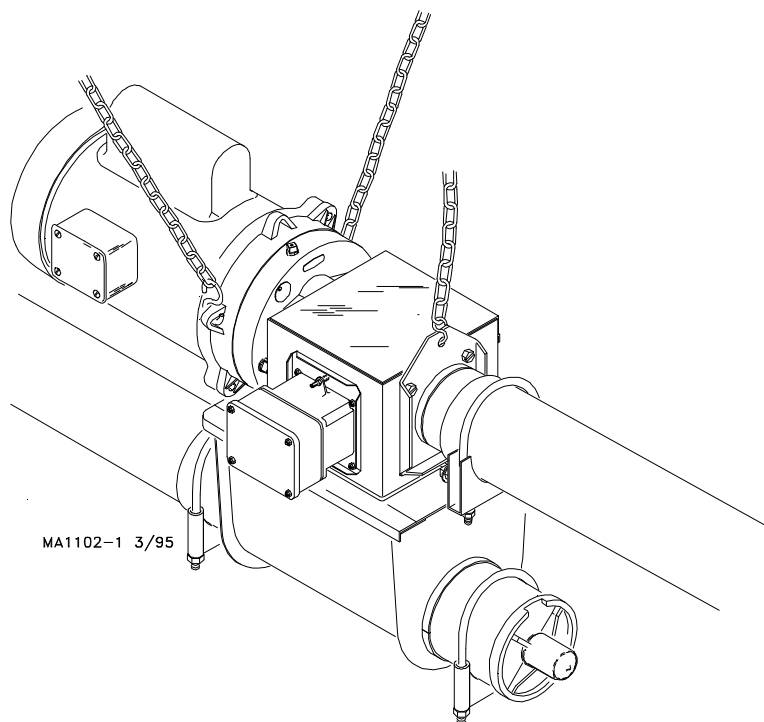
Extension Boot System

Installation Instructions

for

Model 108 FLEX-AUGER

Feed Delivery Systems



MA1102-1 3/95

WARRANTY INFORMATION

Chore-Time equipment warrants each new product manufactured by it to be free from defects in material or workmanship for one year from the date of initial installation by the original purchaser. If such a defect is found by Chore-Time to exist within the one year period, Chore-Time will, at its option, (a) repair or replace such product free of charge, F.O.B. the factory of manufacture, or (b) refund to the original purchaser the original purchase price, in lieu of such repair or replacement.

Additional extended warranties are herewith provided to the original purchaser as follows:

1. RLX Fans, less motors, for three years from date of installation.
- 2.* Poultry feeder pans that become unusable within five years from date of installation. Warranty prorated after three years usage.
3. MEAL-TIME® Hog Feeder pans that become unusable within five years of installation.
4. Rotating centerless augers, excluding applications involving High Moisture Corn (exceeding 18%), for ten years from date of installation. Note: MULTIFLO® and applications involving High Moisture Corn are subject to a one year warranty.
5. Chore-Time manufactured roll-formed steel auger tubes for ten years from date of installation.
- 6.* Laying cages that become unusable within ten years. Warranty prorated after three years usage.
- 7.* ULTRAFLO® Auger and ULTRAFLO® Feed Trough (except ULTRAFLO® Trough Liners) are warranted for a period of five (5) years from date of original purchase against repeated breakage of the auger or wear-through of the feed trough.

Conditions and limitations:

1. The product must be installed and operated in accordance with instructions published by Chore-Time or warranty will be void.
2. Warranty is void if all components of a system are not supplied by Chore-Time.
3. This product must be purchased from and installed by an authorized Chore-Time dealer or certified representative thereof, or the warranty will be void.
4. Malfunctions or failure resulting from misuse, abuse, negligence, alteration, accident, or lack of proper maintenance shall not be considered defects under this warranty.
5. This warranty applies only to systems for the care of poultry and livestock. Other applications in industry or commerce are not covered by this warranty.

Chore-Time shall not be liable for any consequential or special damage which any purchaser may suffer or claim to have suffered as a result of any defect in the product. "Consequential" or "special damages" as used herein include, but are not limited to, lost or damaged products or goods, costs of transportation, lost sales, lost orders, lost income, increased overhead, labor and incidental costs and operational inefficiencies.

THIS WARRANTY CONSTITUTES CHORE-TIME'S ENTIRE AND SOLE WARRANTY AND CHORE-TIME EXPRESSLY DISCLAIMS ANY AND ALL OTHER WARRANTIES, INCLUDING, BUT NOT LIMITED TO, EXPRESS AND IMPLIED WARRANTIES AS TO MERCHANTABILITY, FITNESS FOR PARTICULAR PURPOSE SOLD AND DESCRIPTION OR QUALITY OF THE PRODUCT FURNISHED HEREUNDER.

Any exceptions to this warranty must be authorized in writing by an officer of the company. Chore-Time reserves the right to change models and specifications at any time without notice or obligation to improve previous models.

*See separate "WARRANTY ADDITION" as to these products

CHORE-TIME EQUIPMENT, A Division of CTB, Inc.
P.O. Box 2000, Milford, Indiana 46542-2000 U.S.A.

SAFETY INFORMATION

Caution, Warning and Danger Decals have been placed on the equipment to warn of potentially dangerous situations. Care should be taken to keep this information intact and easy to read at all times. Replace missing or damaged safety signs.

Using the equipment for purposes other than specified in this manual may cause personal injury or damage to the equipment.

Safety–Alert Symbol

This is a safety–alert symbol. When you see this symbol on your equipment, be alert to the potential for personal injury. Chore-Time equipment is designed to be installed and operated as safely as possible...however, hazards do exist.



Signal Words

Signal words are used in conjunction with the safety–alert symbol to identify the severity of the warning.

DANGER indicates an imminently hazardous situation which, if not avoided, **WILL** result in death or serious injury.

WARNING indicates a potentially hazardous situation which, if not avoided, **COULD** result in death or serious injury.

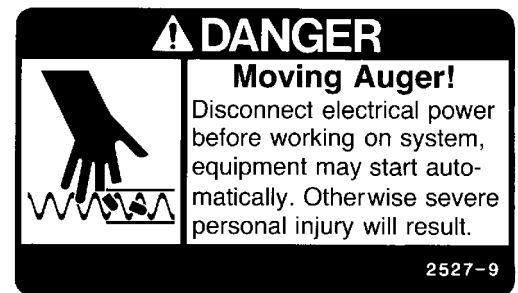
CAUTION indicates a hazardous situation which, if not avoided, **MAY** result in minor or moderate injury.



DANGER—MOVING AUGER

This decal is placed on the Clean-Out Cover of the FLEX-AUGER Control Unit.

Severe personal injury will result, if the electrical power is not disconnected, prior to servicing the equipment.



DANGER—ELECTRICAL HAZARD

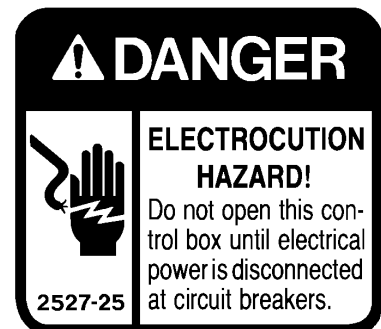
Disconnect electrical power before inspecting or servicing equipment unless maintenance instructions specifically state otherwise.

Ground all electrical equipment for safety.

All electrical wiring must be done by a qualified electrician in accordance with local and national electric codes.

Ground all non-current carrying metal parts to guard against electrical shock.

With the exception of motor overload protection, electrical disconnects and over current protection are not supplied with the equipment.

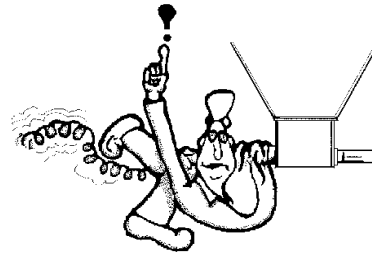


SAFETY INFORMATION



CAUTION

Use caution when working with the Auger--springing auger may cause personal injury.



SUPPORT INFORMATION

Using this equipment for any other purpose or in a way not within the operating recommendations specified in this manual will void the warranty and may cause personal injury and/or death.

This manual is designed to provide installation, wiring, and parts listing information.

IMPORTANT: CE stands for *certified Europe*. It is a standard which equipment must meet or exceed in order to be sold in Europe. CE provides a benchmark for safety and manufacturing issues. CE is required only on equipment sold in Europe.

Chore-Time Equipment recognizes CE Mark and pursues compliance in all applicable products.

Refer to Chore-Time Model 108 Installation Manual (MA1032) for additional installation, operation, and parts listing information.



Planning the Model 108 FLEX-AUGER Extended Length Feed Delivery System

Carefully plan the Model 108 Fill System installation. Make sure the system will not interfere with other equipment, doors, windows, etc.

The charts below provide power unit recommendations and maximum system line lengths. Notice that the top chart applies to standard 348 RPM systems.

The lower chart applies to (optional) High Capacity 425 RPM systems.

Maximum Line Lengths* for standard 348 RPM Systems			
Motor HP	Power Unit Part No.	Standard System	Extended System
3/4	3259-52	50 Ft. (15.2 m)	75 Ft. (22.8 m)
1	3259-49	100 Ft. (30.5 m)	135 Ft. (41.1 m)
1-1/2	3259-66	150 Ft. (45.7 m)	185 Ft. (56.4 m)

Maximum Line Lengths* for High Capacity 425 RPM Systems			
Motor HP	Power Unit Part No.	Standard System	Extended System
1	3259-79	50 Ft. (15.2 m)	75 Ft. (22.8 m)
1-1/2	3259-80	100 Ft. (30.5 m)	135 Ft. (41.1 m)
2	3259-121	150 Ft. (45.7 m)	185 Ft. (56.4 m)

*Maximum line lengths should be reduced for elevations over 8' (2.4 m) and/or inclines steeper than 45 degrees.

Maximum lengths for 108 systems include use of two PVC elbows. If additional elbows are used, decrease line length by 30 ft. (9 m) per elbow. Length of extension systems do not include elbows. Decrease maximum extension system lengths by 30 ft. (9 m) per elbow if used in the system.

Horsepower requirements are based on length of the Model 108 FLEX-AUGER system and type of system installed--i.e. number of turns.

Model 108 Extension Boot Installation

The Model 108 Extension Kit is used to increase total length of the Model 108 FLEX-AUGER system, or to turn 90 degrees, in applications where this is required.

Maximum lengths for the standard and extended length systems are shown on page 5 of this manual. DO NOT EXCEED THESE RECOMMENDATIONS.

1. Install the Control Unit at the end of the standard system as described in the Control Unit installation section of this manual.
2. Remove the plastic drop from the bottom of the control unit housing. Re-use the hardware to install the 7856 Adapter Plate to the control unit housing. See Figure 1.
3. Install the Extension Boot on the bottom of the adapter plate, using the hardware provided with the adapter plate. Note that the Extension Boot can be installed to extend the system in a straight line or used to make a 90 degree turn in installations where that is desirable.
4. Install the extended length portion of the system similar to the standard system.
5. Wire the extended length system according to the applicable wiring diagrams in this manual.

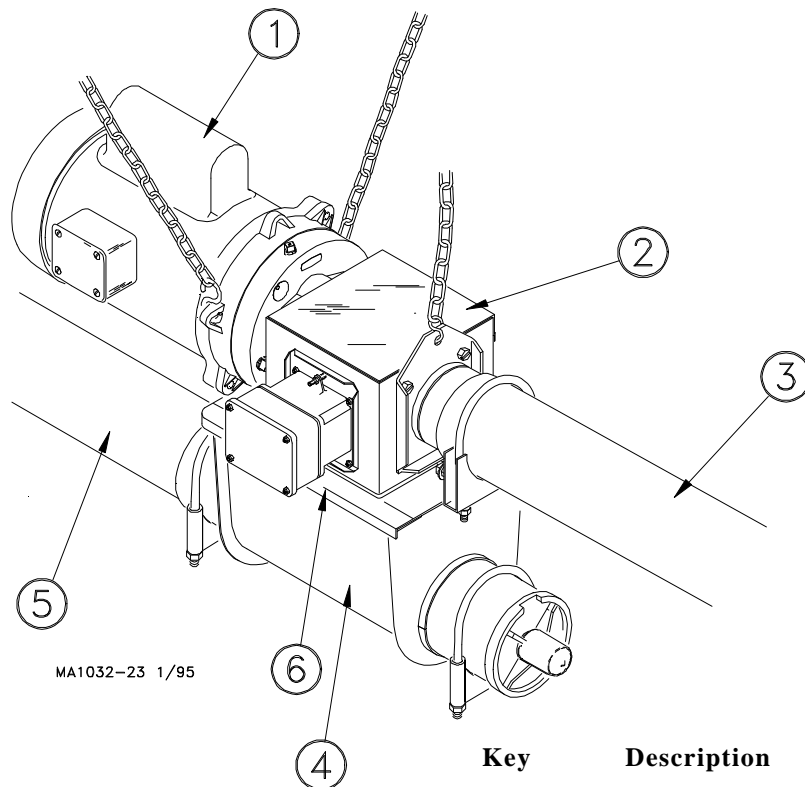
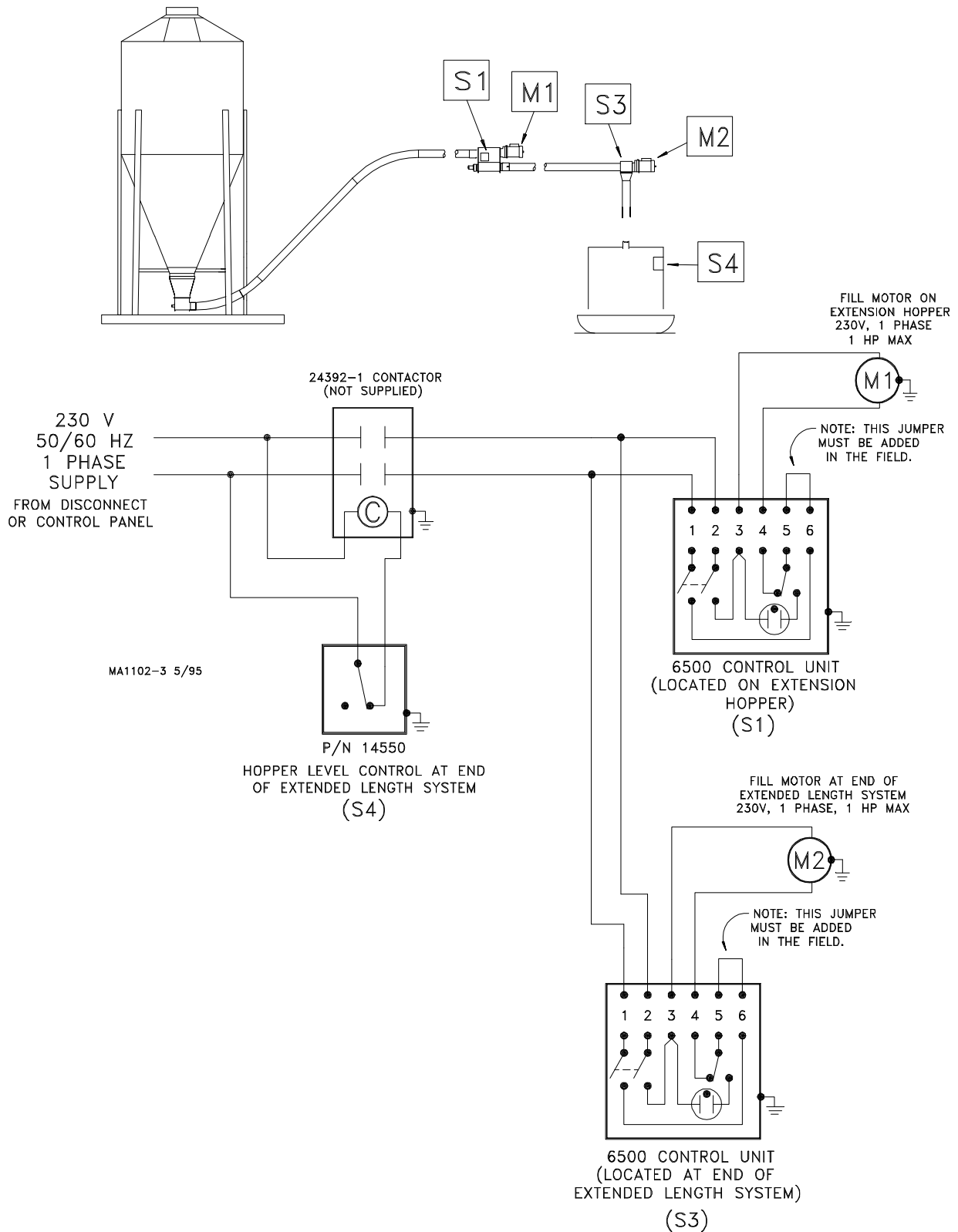


Figure 1.

Key	Description
1	Power Unit
2	Control Unit
3	Incoming Auger Tube
4	Extension Boot (Model 108)
5	Outgoing Auger Tube
6	Adapter Plate

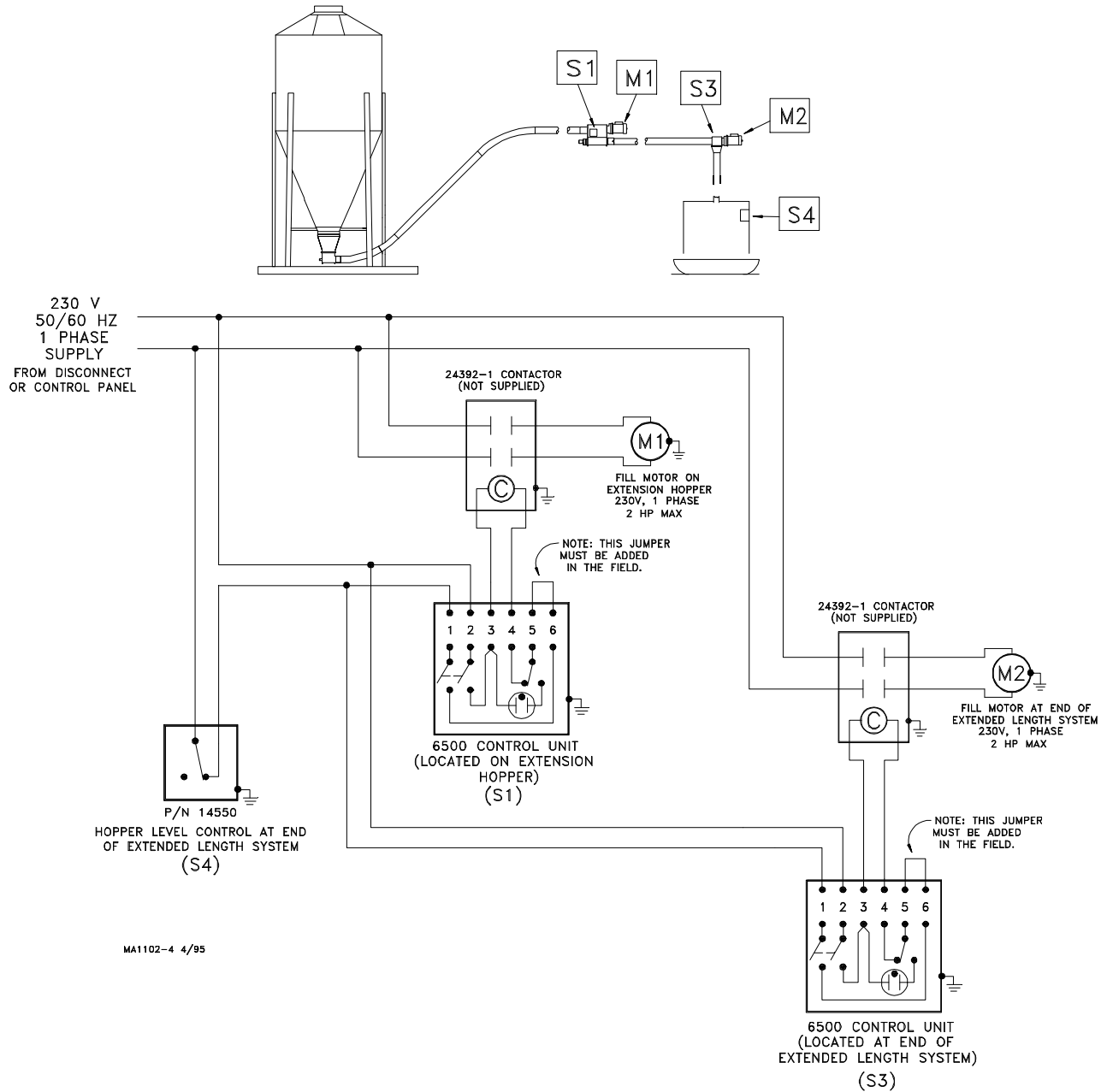
Extension System Wiring Diagram

(Single Phase, 230 V, 50/60Hz, w/o Motor Starters)
(1 H.P. or less motor horsepower)



Extension System Wiring Diagram

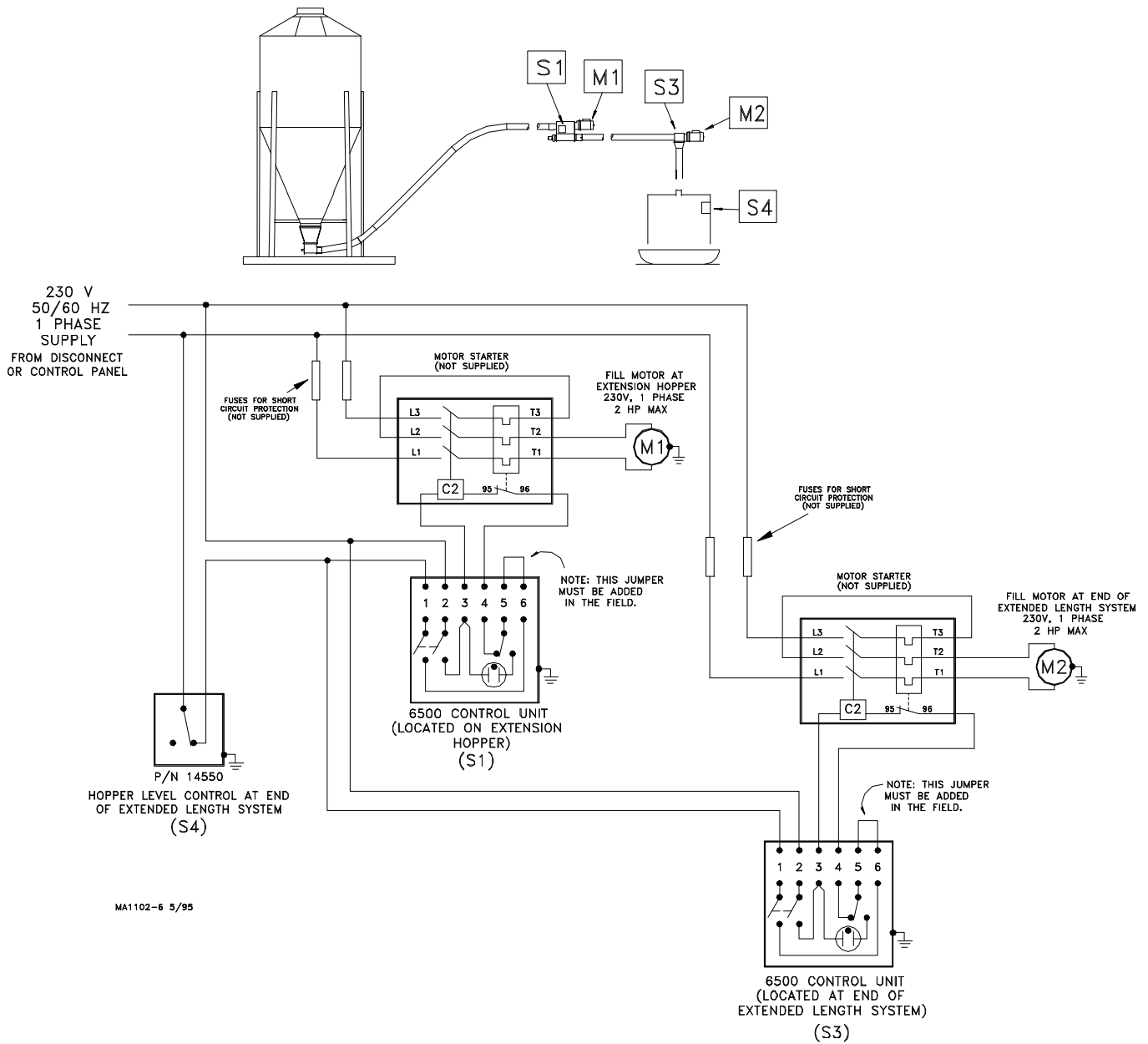
(Single Phase, 230 V, 50/ 60Hz, w/o Motor Starters)
(1-1/2 H.P. or larger motor horsepower)



MA1102-4 4/95

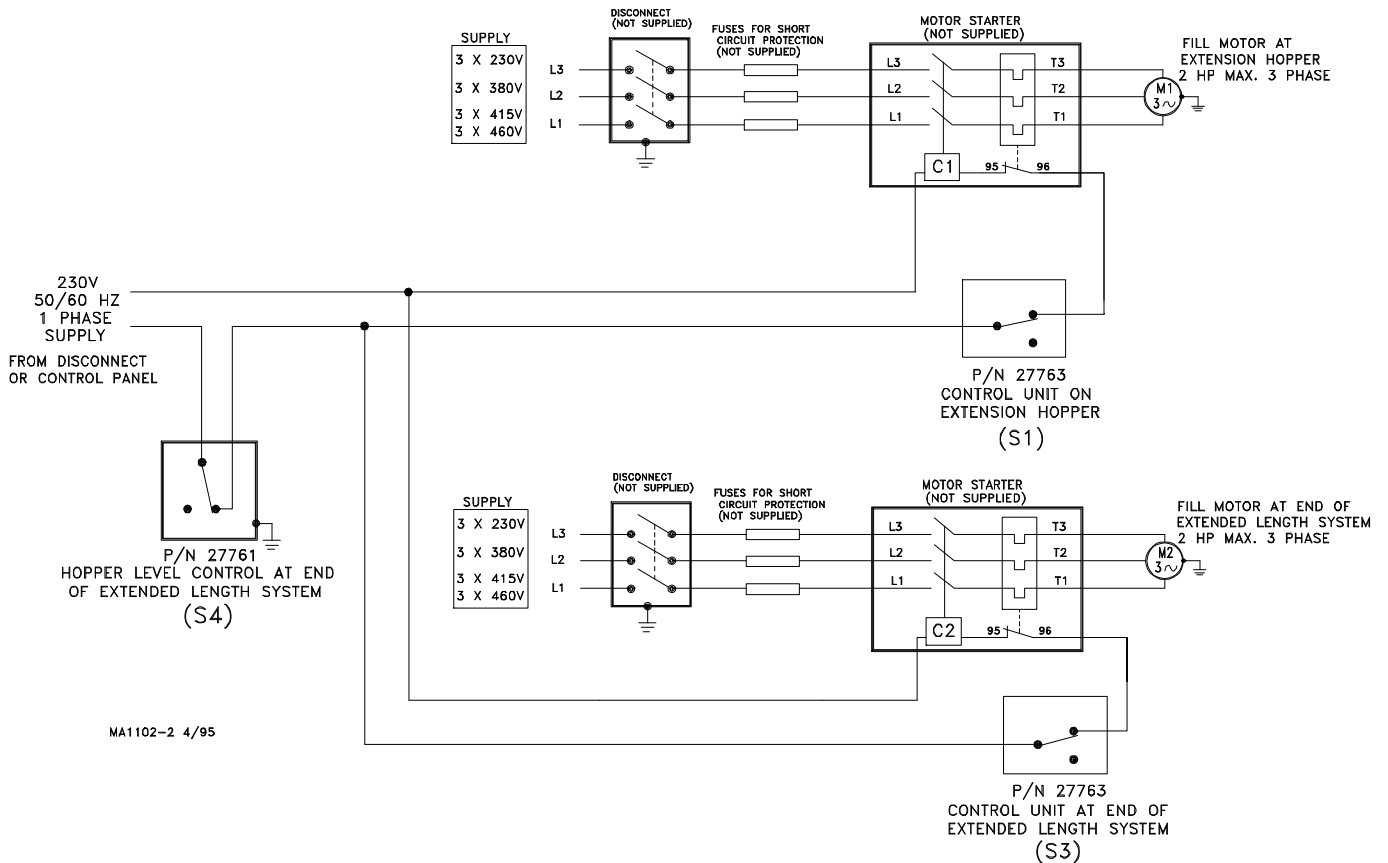
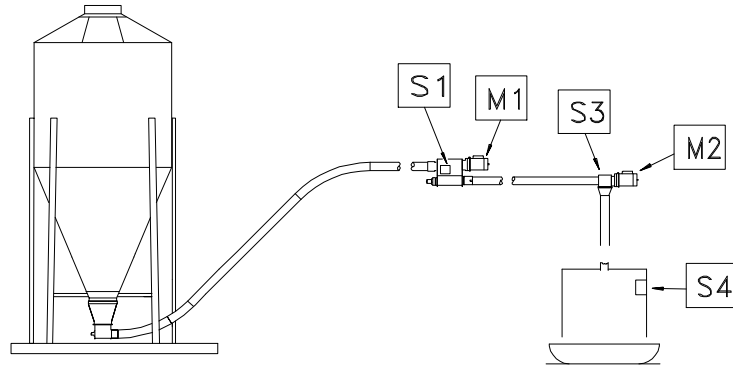
Extension System Wiring Diagram

(Single Phase, 230 V, 50/60Hz, w/ Motor Starters)

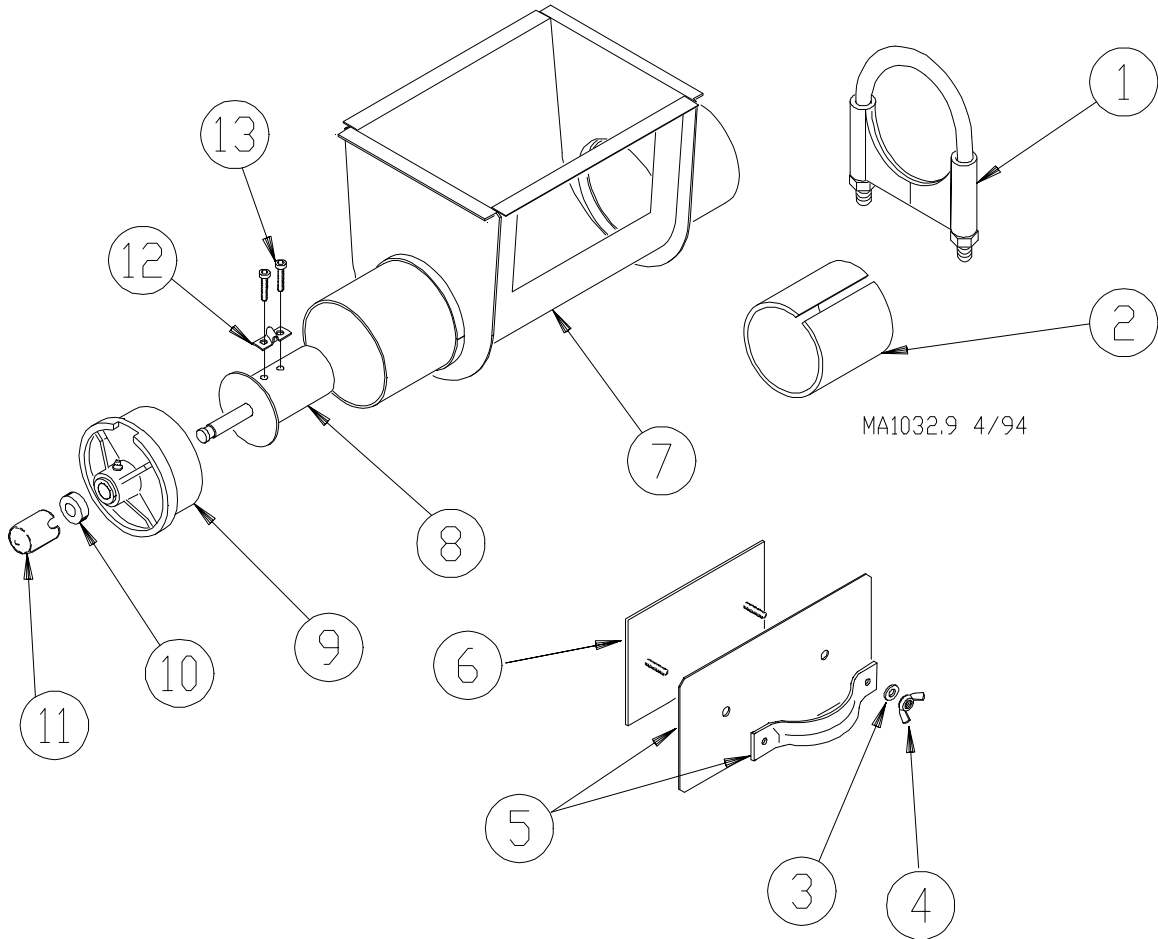


Extension System Wiring Diagram

(3-Phase, 220/380/415/460 V, 50/60Hz, w/ Motor Starters)



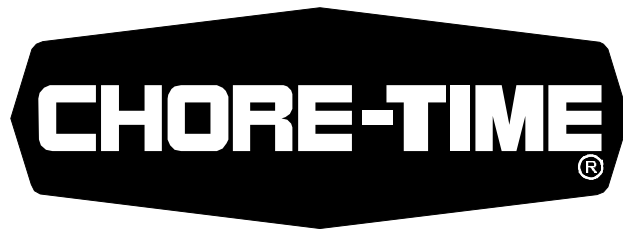
EXTENSION BOOT KIT
Part No. 34633-1 (1 Phase)
Part No. 34633-3 (3 Phase)



<u>KEY</u>	<u>DESCRIPTION</u>	<u>PART NO.</u>	<u>KEY</u>	<u>DESCRIPTION</u>	<u>PART NO.</u>
1	Tube Clamp	34338	8	Anchor Weldment	34369
2	Tube Insert	34337	9	Bearing Cap Assembly	30314
3*	Sealing Washer	8491	10	5/8" Set Collar	1386
4*	5/16-18 Wing nut	2146	11	Safety Cap	29703
5*	Cover Weldment	6301	12	Anchor Clamp	7703
6*	Back Plate Assembly	6298	13	5/16-18 x 7/8" Socket Hd Cap Screw	6850-1
7	Boot Body Weldment	30386	--	Adapter Plate Assembly	7856
			--	Direct Drive Control Unit for 34633-1	6500-22
			--	Direct Drive Control Unit for 34633-3	25770-6

*Indicates components of 6197 Clean-Out Cover Assembly

Note: The Extension Boot components (less the Control Unit) may be ordered as an assembly under Chore-Time Part No. 34372.



Contact your nearby Chore-Time distributor or representative for additional parts and information.
Chore-Time Equipment, A Division of CTB, Inc.
P.O. Box 2000, Milford, Indiana 46542-2000 U.S.A.