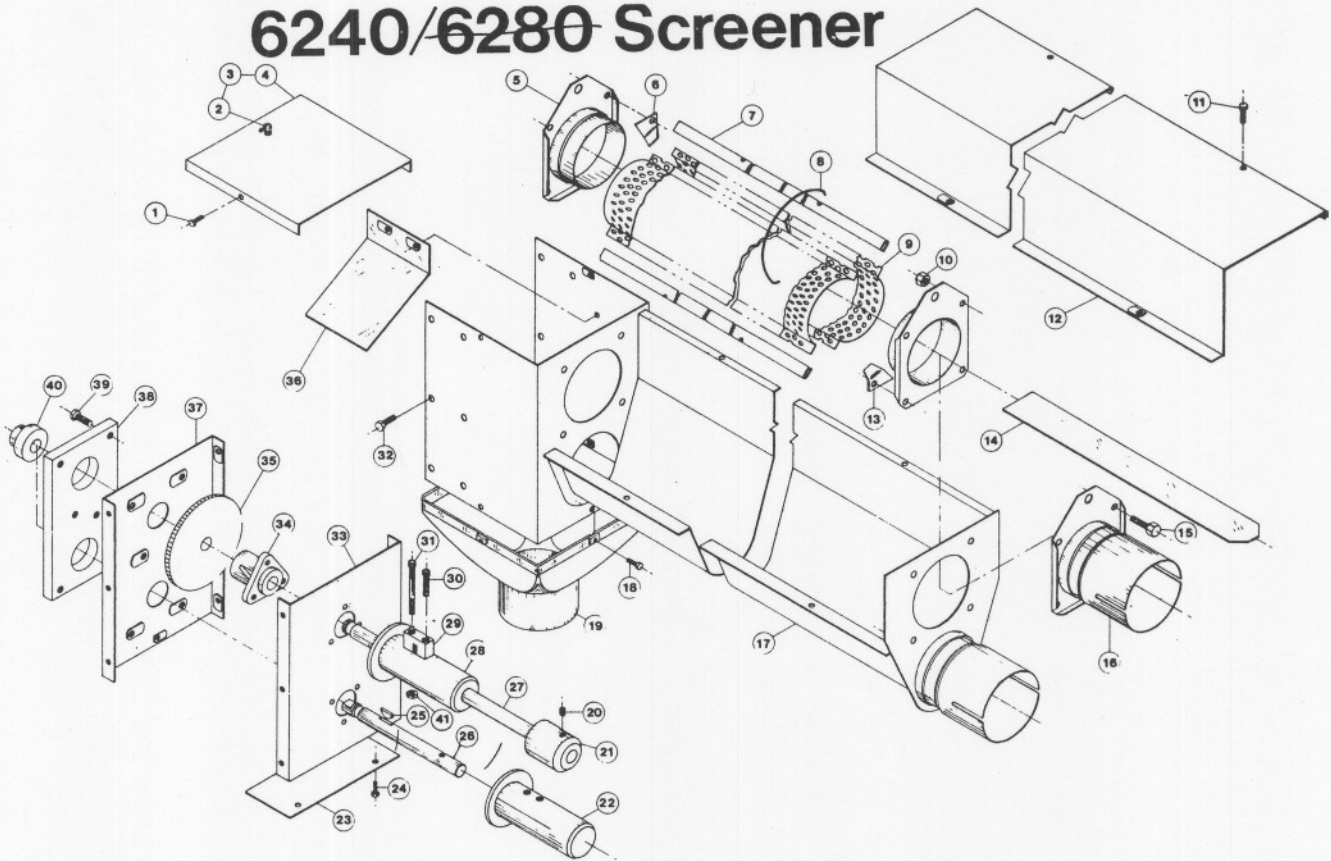


SCREENERS

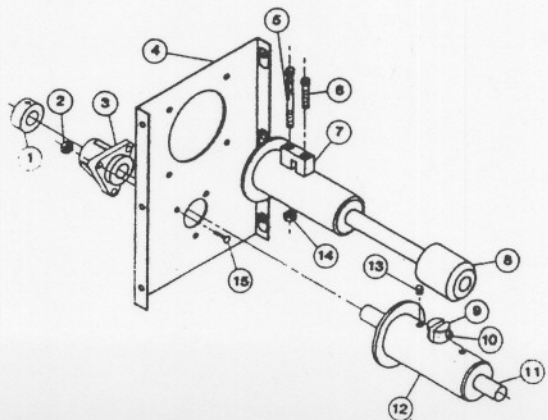
Key	Description	(Hi-C Auger)	(Standard Auger)	Key	Description	(Hi-C Auger)	(Standard Auger)
		6240 Screener	6200 Screener			6240 Screener	6200 Screener
1	10-24x5/8" Hx. Hd. M.S.	X-1876	X-1876	23	Cover Shield	6213	6213
2	Grease Zerk	6208	6208	24	1/4-20x1/2" Hx. Hd. M.S.	X-1487	X-1487
3	Cover Assembly	6210	6210	25	Woodruff Key	X-6620-1	X-6620-1
4	Cover	6209	6209	26	Lower Anchor Shaft	6224	6224
5	Plate Weldment	6222	6272	27	Upper Anchor Shaft	6223	6223
6	Stop (L.H.)	6227-2	6227-2	28	Driver Weldment	6224	5267
7	Screen Retainer	6226	6226	29	Anchor Block	5056	5270
8	Screen Retainer	6221	6221	30	1/4-20x1" Socket Hd. Screw	X-5083-1	----
9	Screen	6225	6271	31	1/4-20x7/8" Socket Hd. Screw	----	X-5083-1
10	5/16-18 Lock Nut	X-2148	X-2148	32	1/4-20x2-3/4" Socket Hd. Screw	X-5083-6	----
11	10-24x5/8" Hx. Hd. M.S.	X-1876	X-1876	33	1/4-20x2" Socket Hd. Screw	----	X-5083-4
12	Auger Cover	6247	6247	34	1/4-20x1/2" Hx. Hd. M.S.	X-1487	X-1487
13	Stop (R.H.)	6227-1	6227-1	35	Back Bearing Plate	6231	6231
14	Agitator	6214	6274	36	Bearing	2188	2188
15	5/16-18x1/2" Hx. Hd. M.S.	X-1839	X-1839	37	Spur Gear	6232	6232
16	Tube Anchor	6245	6275	38	Feed Shield	6219	6219
17	Boot Body	6246	6276	39	Front Bearing Plate	6220	6220
18	10-24x5/8" Hx. Hd. M.S.	X-1876	X-1876	40	Bearing Plate	6229	6229
19	Drop	6091	6091	41	5/16-18x3/4" Hx. Hd. M.S.	X-2046	X-2046
20	5/16-18x3/8" Setscrew	X-1174	X-1174		Ball Bearing	5930	5930
21	Restrictor	6215	6275		1/4-20 Lock Nut	X-1269	X-1269
22	Driver Weldment	5063	5267				

6240/6280 Screener



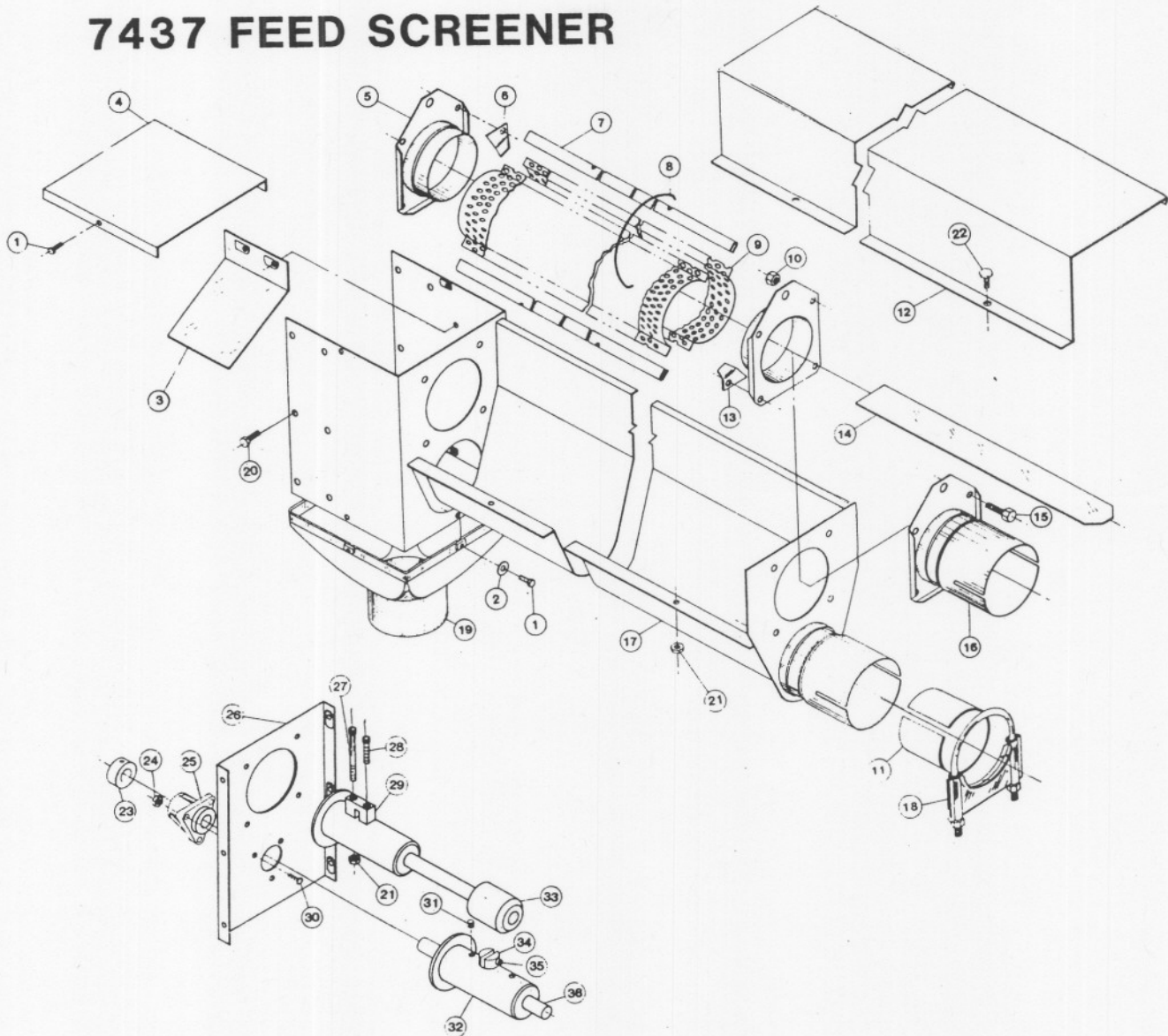
The #6769 Screener Conversion Kit consists of:

Key	Description	Part No.
1	5/8" Set Collar	1386
2	1/4-20 Hex Lock Nut	1269
3	Boot Bearing	2188
4	Front Bearing Plate Weldment	6609
5	1/4-20x2-3/4" Soc. Hd. Cap Screw	5083-6
6	1/4-20x1 Soc. Hd. Cap Screw	5083-1
7	Anchor Block	5056
8	Driver Assembly	6611
9	Clamp Pin	4702
10	5/16-18x3/8" Sq. Hd. Setscrew	5095
11	Anchor Shaft	6195
12	Anchor Tube Weldment	6163
13	5/16-18x3/8" Setscrew	1174
14	1/4-20 Hex Lock Nut	1269
15	1/4-20x5/8" Soc. Hd. Cap Screw	2432



SCREENERS

7437 FEED SCREENER



Key	Description	Part No.	Key	Description	Part No.
1	10-24 x 3/8" Hx. Hd. M.S.	1951	18	Tube Clamp - 2 Used	6721
2	Washer	6723	19	Drop	6091
3	Feed Shield	6219	20	1/4-20 x 1/2" Hx. Hd. M.S.	1487
4	Cover	6614	21	1/4-20 Hx. Lock Nut	1269
5	Extruded Plate Weldment	6622	22	1/4-20 x 1/2" Hx. Md. M.S.	1487
6	Stop (Left-Hand)	6227-2	23	5/8" Set Collar	1386
7	Screen Retainer	6226	24	1/4-20 Hx. Lock Nut	1269
8	Spring Clip	6221	25	Boot Bearing	2188
9	Screen	7436	26	Front Bearing Plate Weldment	6609
10	5/16-18 Lock Nut	2148	27	5/16-18 x 2-3/4" Soc. Hd. Cap Screw	6850-2
12	Auger Cover	6243	28	5/16-18 x 1" Soc. Hd. Cap Scr.	6850-1
13	Stop (Right-Hand)	6227-1	29	Anchor Block	6849
14	Agitator	6214	30	1/4-20 x 5/8" Soc. Hd. Cap Scr.	2432
15	5/16-18 x 5/8" Hx. Hd. M.S.	4412-1	31	5/16-18 x 3/8" Setscrew	5095
16	Tube Anchor Weldment	7288	32	Anchor Assembly	6608
17	Boot Body	6246	33	Driver Assembly	6887
			34	Clamp Pin	4702
			35	5/16-18 x 3/8" Setscrew	5095