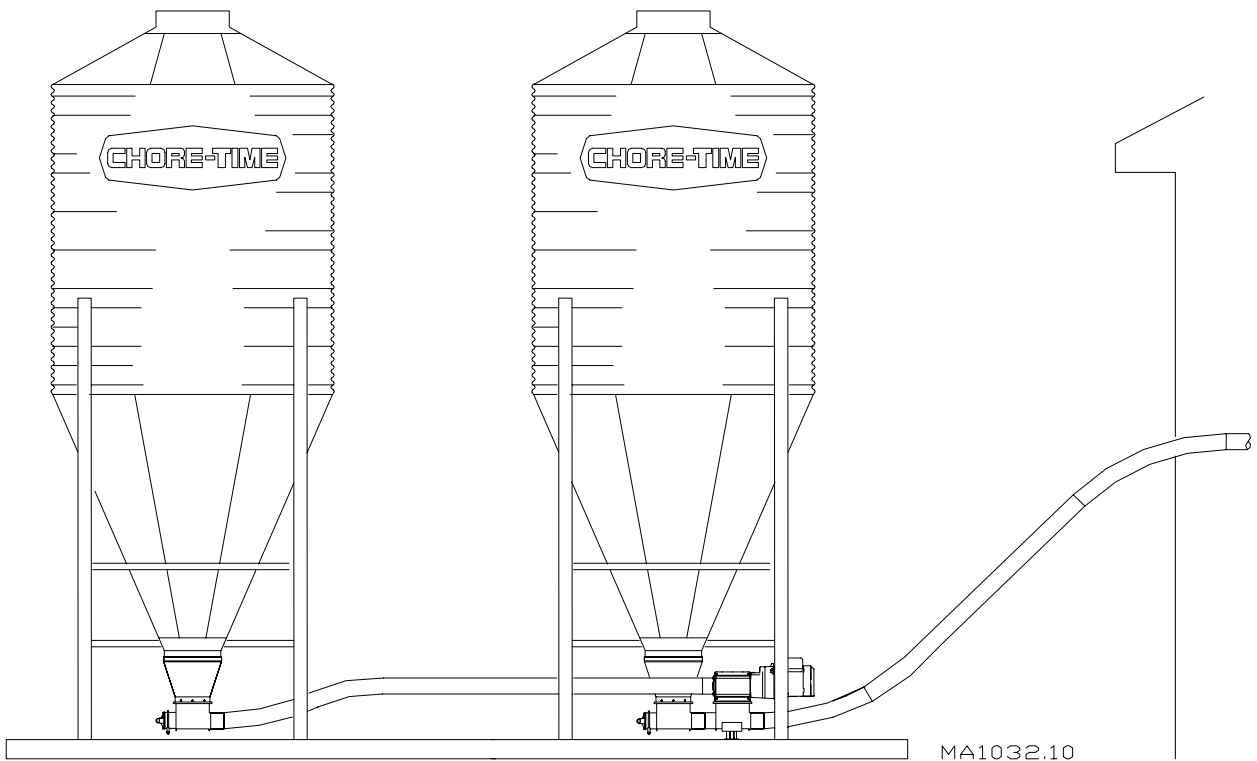


# Two Motor Tandem Installation Instructions

for

**Model 108 FLEX-AUGER**

**Feed Delivery Systems**



MA1032.10

## **WARRANTY INFORMATION**

Chore-Time Equipment, a division of CTB, Inc., (“Chore-Time”) warrants each new CHORE-TIME® product manufactured by it to be free from defects in material or workmanship for one year from and after the date of initial installation by or for the original purchaser. If such a defect is found by the Manufacturer to exist within the one-year period, the Manufacturer will, at its option, (a) repair or replace such product free of charge, F.O.B. the factory of manufacture, or (b) refund to the original purchaser the original purchase price, in lieu of such repair or replacement. Labor costs associated with the replacement or repair of the product are not covered by the Manufacturer.

### CONDITIONS AND LIMITATIONS

- 1 The product must be installed by and operated in accordance with the instructions published by the Manufacturer or Warranty will be void.
2. Warranty is void if all components of the system are not original equipment supplied by the Manufacturer.
3. This product must be purchased from and installed by an authorized distributor or certified representative thereof or the Warranty will be void.
4. Malfunctions or failure resulting from misuse, abuse, negligence, alteration, accident, or lack of proper maintenance shall not be considered defects under the Warranty.
5. This Warranty applies only to systems for the care of poultry and livestock. Other applications in industry or commerce are not covered by this Warranty.

The Manufacturer shall not be liable for any consequential or special damage which any purchaser may suffer or claim to suffer as a result of any defect in the product. “Consequential” or special damages” as used herein include, but are not limited to, lost or damaged products or goods, costs of transportation, lost sales, lost orders, lost income, increased overhead, labor and incidental costs and operational inefficiencies.

**THIS WARRANTY CONSTITUTES THE MANUFACTURER’S ENTIRE AND SOLE WARRANTY AND THIS MANUFACTURER EXPRESSLY DISCLAIMS ANY AND ALL OTHER WARRANTIES, INCLUDING, BUT NOT LIMITED TO, EXPRESS AND IMPLIED WARRANTIES AS TO MERCHANTABILITY, FITNESS FOR PARTICULAR PURPOSES SOLD AND DESCRIPTION OR QUALITY OF THE PRODUCT FURNISHED HEREUNDER.**

Chore-Time Distributors are not authorized to modify or extend the terms and conditions of this Warranty in any manner or to offer or grant any other warranties for Chore-Time products in addition to those terms expressly stated above.

An officer of CTB, Inc. must authorize any exceptions to this Warranty in writing. The Manufacturer reserves the right to change models and specifications at any time without notice or obligation to improve previous models.

Effective 01/2002

Chore-Time Equipment  
A Division of CTB, Inc.  
P.O. Box 2000 \* Milford, Indiana 46542-2000 \* U.S.A.  
Phone (574) 658-4101 \* Fax (574) 658-4171  
Email: [ctb@ctbinc.com](mailto:ctb@ctbinc.com) \* Internet: <http://www.ctbinc.com>

### **Thank You**

The employees of Chore-Time Equipment would like to thank your for your recent Chore-Time purchase. If a problem should arise, your Chore-Time distributor can supply the necessary information to help you.

## ***SAFETY INFORMATION***

Caution, Warning and Danger Decals have been placed on the equipment to warn of potentially dangerous situations. Care should be taken to keep this information intact and easy to read at all times. Replace missing or damaged safety signs.

Using the equipment for purposes other than specified in this manual may cause personal injury or damage to the equipment.

### **Safety–Alert Symbol**

This is a safety–alert symbol. When you see this symbol on your equipment, be alert to the potential for personal injury. Chore-Time equipment is designed to be installed and operated as safely as possible...however, hazards do exist.



### **Signal Words**

Signal words are used in conjunction with the safety–alert symbol to identify the severity of the warning.

**DANGER** ..... indicates an imminently hazardous situation which, if not avoided, **WILL** result in death or serious injury.

**WARNING** ..... indicates a potentially hazardous situation which, if not avoided, **COULD** result in death or serious injury.

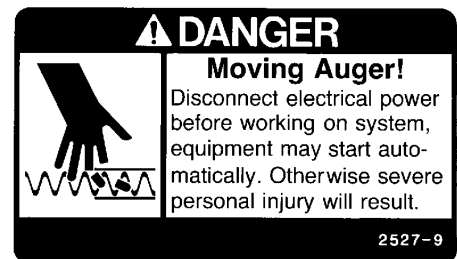
**CAUTION** ..... indicates a hazardous situation which, if not avoided, **MAY** result in minor or moderate injury.



### **DANGER—MOVING AUGER**

This decal is placed on the Clean-Out Cover of the FLEX-AUGER Control Unit.

Severe personal injury will result, if the electrical power is not disconnected, prior to servicing the equipment.



### **DANGER—ELECTRICAL HAZARD**

Disconnect electrical power before inspecting or servicing equipment unless maintenance instructions specifically state otherwise.

Ground all electrical equipment for safety.

All electrical wiring must be done by a qualified electrician in accordance with local and national electric codes.

Ground all non-current carrying metal parts to guard against electrical shock.

With the exception of motor overload protection, electrical disconnects and over current protection are not supplied with the equipment.

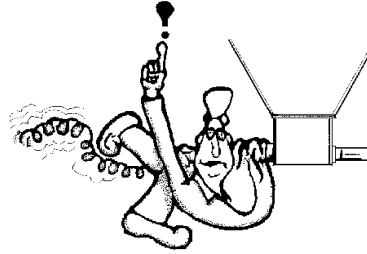


## **SAFETY INFORMATION**



### **CAUTION**

Use caution when working with the Auger--springing auger may cause personal injury.



---

## **SUPPORT INFORMATION**

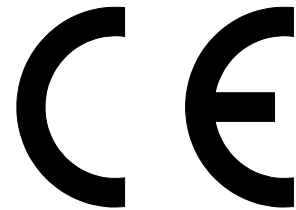
Using this equipment for any other purpose or in a way not within the operating recommendations specified in this manual will void the warranty and may cause personal injury and/or death.

This manual is designed to provide installation, wiring, and parts listing information.

**IMPORTANT:** CE stands for *certified Europe*. It is a standard which equipment must meet or exceed in order to be sold in Europe. CE provides a benchmark for safety and manufacturing issues. CE is required only on equipment sold in Europe.

Chore-Time Equipment recognizes CE Mark and pursues compliance in all applicable products.

Refer to Chore-Time Model 108 Installation Manual for additional installation, operation, and parts listing information.



---

## ***Model 108 Two Motor Tandem Systems***

PLAN CAREFULLY BEFORE BEGINNING TO INSTALL THE MODEL 108 TWO-MOTOR TANDEM SYSTEM. PLACEMENT OF BINS IS IMPORTANT FOR PROPER INSTALLATION OF THE TWO-MOTOR TANDEM SYSTEM.

Pour one level concrete pad for BOTH bins. Pad dimensions and specifications must meet bin manufacturer's requirements. Position the bins so that legs will not interfere with the Flex-Auger system installation.

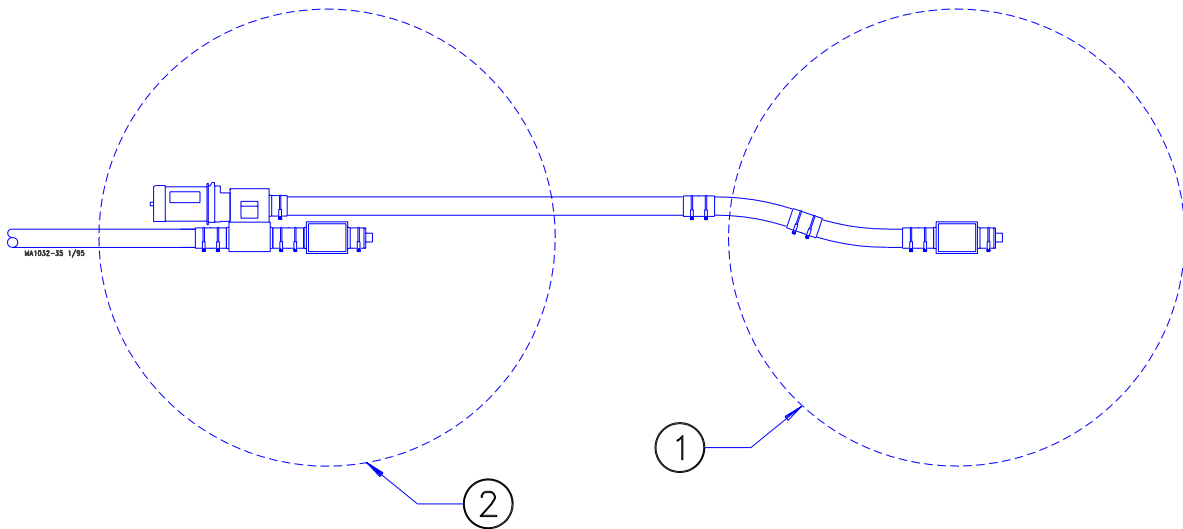
Two-Motor Model 108 Tandem systems may have more than two bins connected together, but additional components are required.

### **Bin Location**

Locate the bins as illustrated in Figure 1. Note that bins may be installed in-line or forming a 90 degree angle with the system.

### **Boot Installation**

Upper boot installation is the same for both the terminal and intermediate bins. Both bins require Straight-Out Boots with the Two-Motor Tandem System. Install the boots as described in this manual.



**Figure 1.**

Key	Description
1	Terminal Bin
2	Intermediate Bin

### Connecting the Bins

Assemble your Two Motor Tandem components as shown in Figure 2 or 3.

Steel systems; refer to Figure 2.

PVC systems; refer to Figure 3.

1. Secure the Connecting Boot directly to the Intermediate Bin Boot using a Tube Connector w/clamps.
2. Install the Boot Support Assembly under the Connecting Boot to provide adequate support.
3. Install an Adapter Plate on the bottom of the Control Unit, using the hardware provided.
4. The 90° Elbow must be cut into (2) 22-1/2° Elbows. Refer to the FLEX-AUGER Installation Manual for elbow cutting information.
5. Assemble the 22-1/2° elbows, straight pipe, Tube Connectors, Tube Inserts, PVC Couplers, and clamps between the Terminal Bin Boot and the Connecting Boot.
6. Install and stretch the auger as specified in the Model 108 FLEX-AUGER Fill System Manual.
7. Wire the Two-Motor Tandem system as specified in the wiring diagrams.

# Model 108 Steel Two-Motor Tandem System

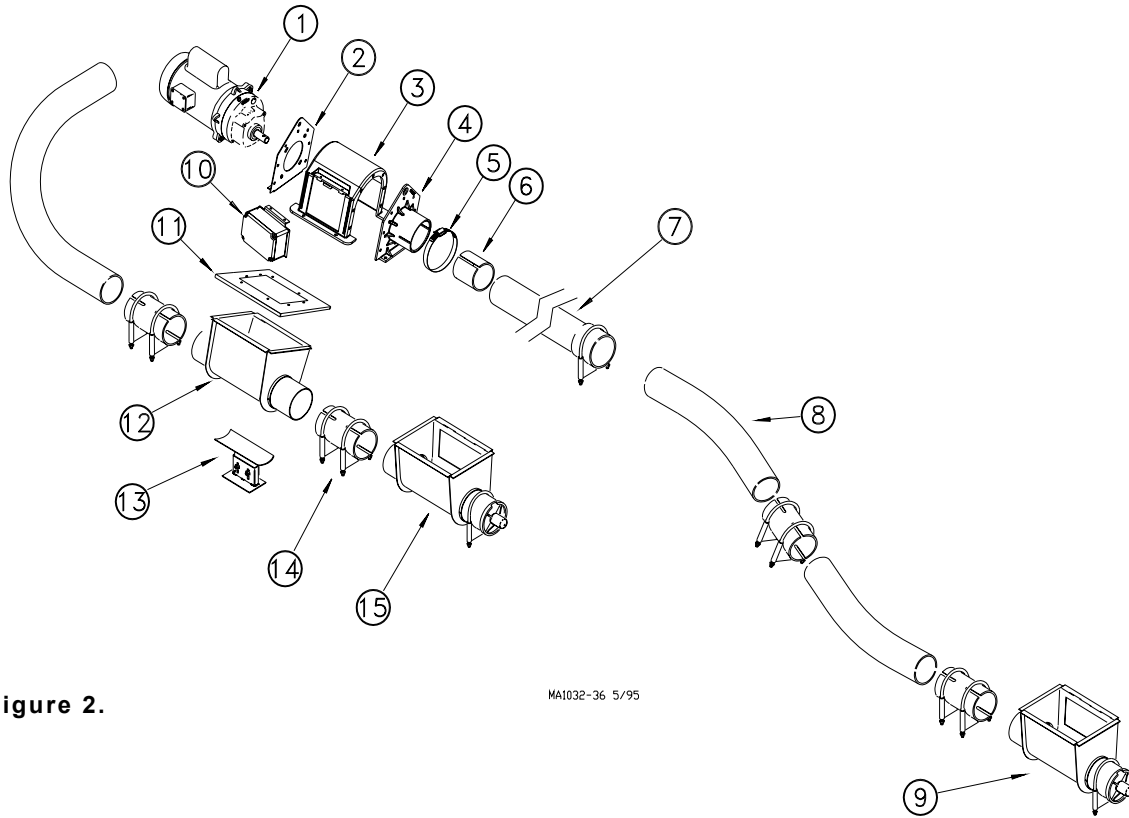
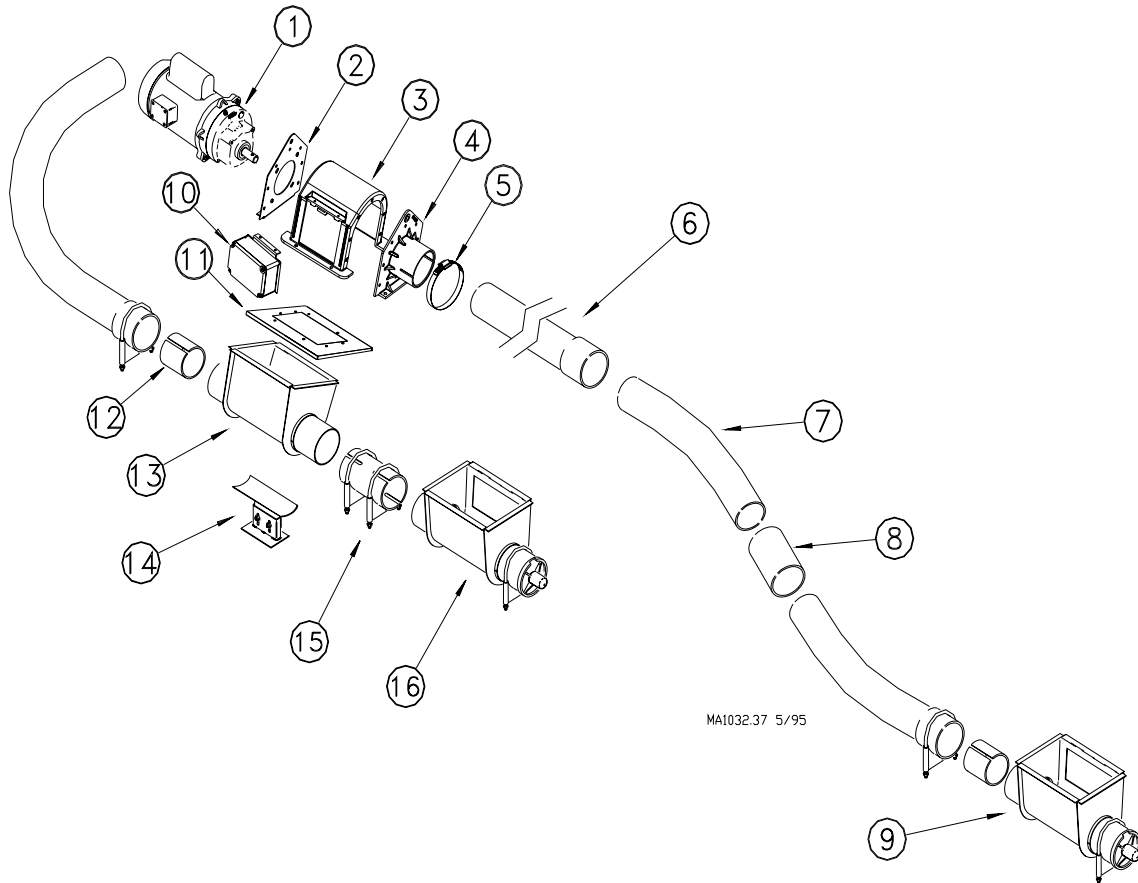


Figure 2.

MA1032-36 5/95

Key	Description	Key	Description
1	Power Unit	9	Terminal Bin Boot
2	Adapter Plate	10	Safety Switch
3	Control Body	11	Adaptor Plater
4	Tube Anchor	12	Connecting Boot
5	Tube Clamp	13	Boot Support Assembly
6	Tube Insert	14	Tube Connector w/ clamps
7	Auger Tube	15	Intermediate Bin Boot
8	22-1/2° Elbow		

# Model 108 PVC Two-Motor Tandem System



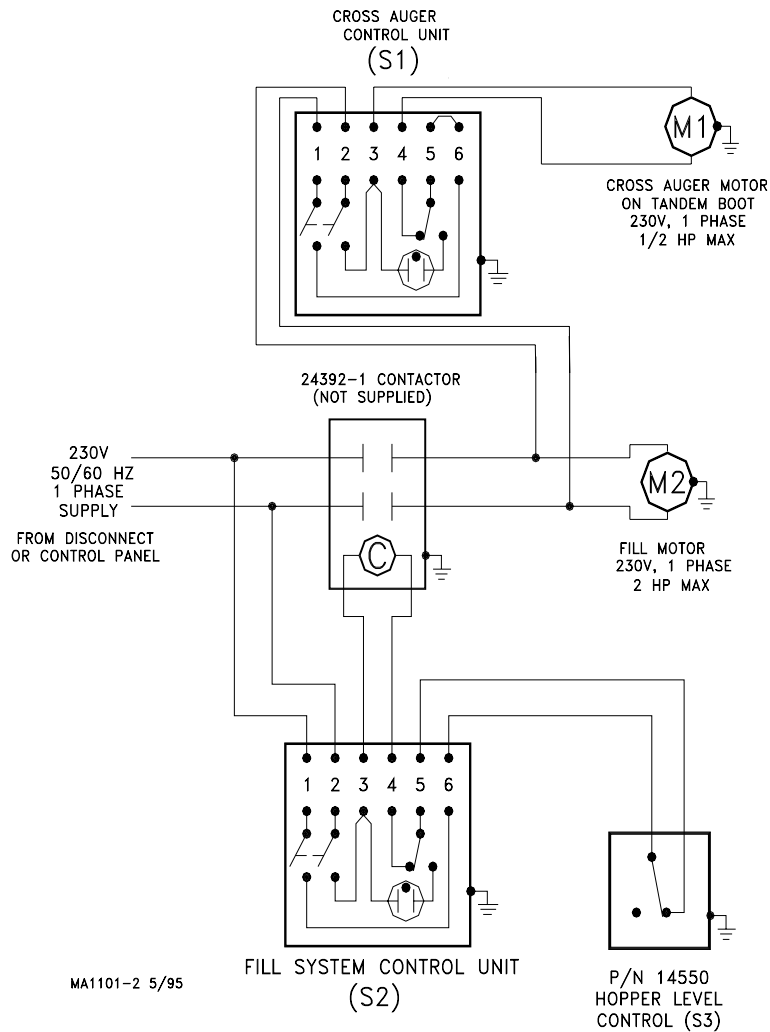
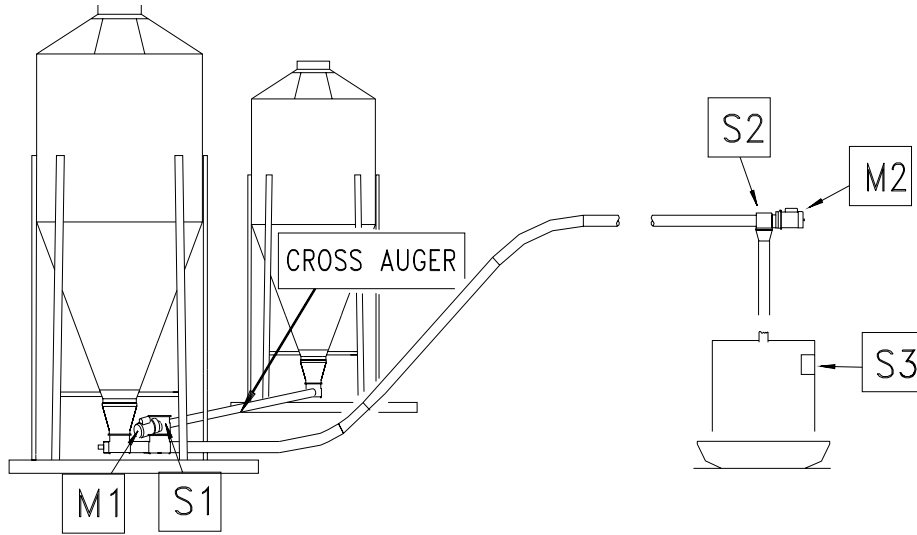
MA1032.37 5/95

Figure 3.

Key	Description	Key	Description
1	Power Unit	9	Terminal Bin Boot
2	Adapter Plate	10	Safety Switch
3	Control Body	11	Adaptor Plater
4	Tube Anchor	12	Tube Insert
5	Tube Clamp	13	Connecting Boot
6	Auger Tube	14	Boot Support Assembly
7	22-1/2° Elbow	15	Tube Connector w/ clamps
8	Tube Connector	16	Intermediate Bin Boot

## Two Motor Tandem System Wiring Diagram

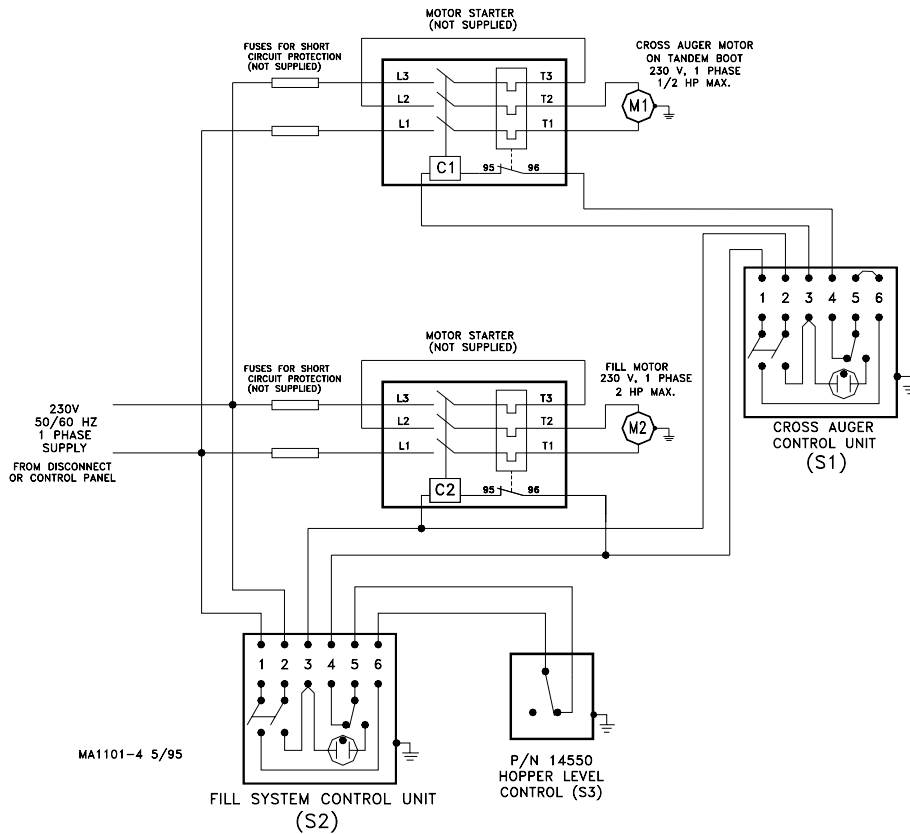
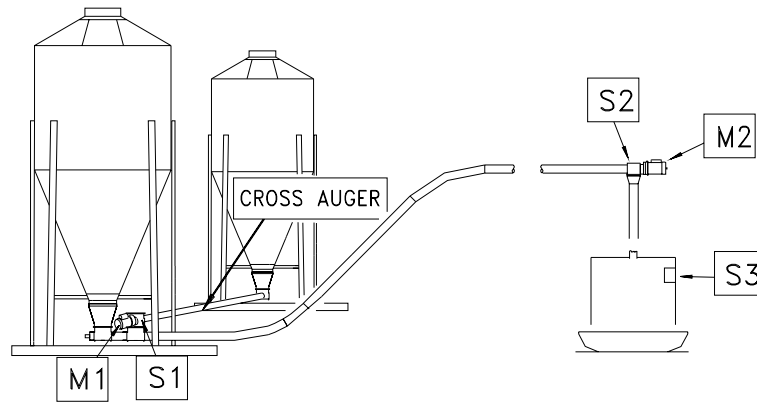
(Single Phase, 230 V, 50/60 Hz, w/o Motor Starters)





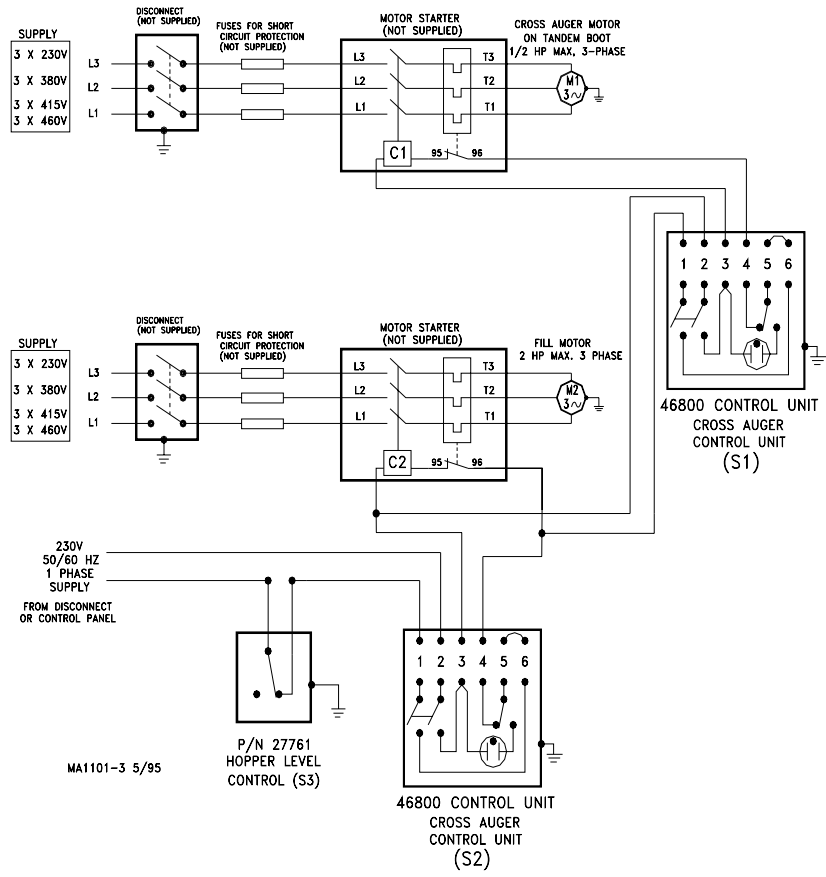
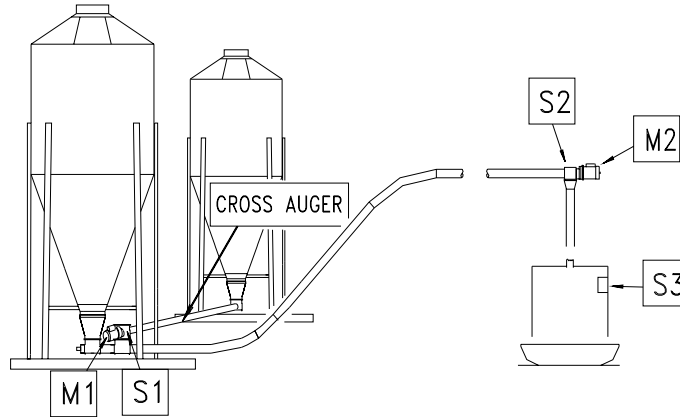
## Two Motor Tandem System Wiring Diagram

(Single Phase, 230 V, 50/60 Hz, Single Phase, w/ Motor Starters)

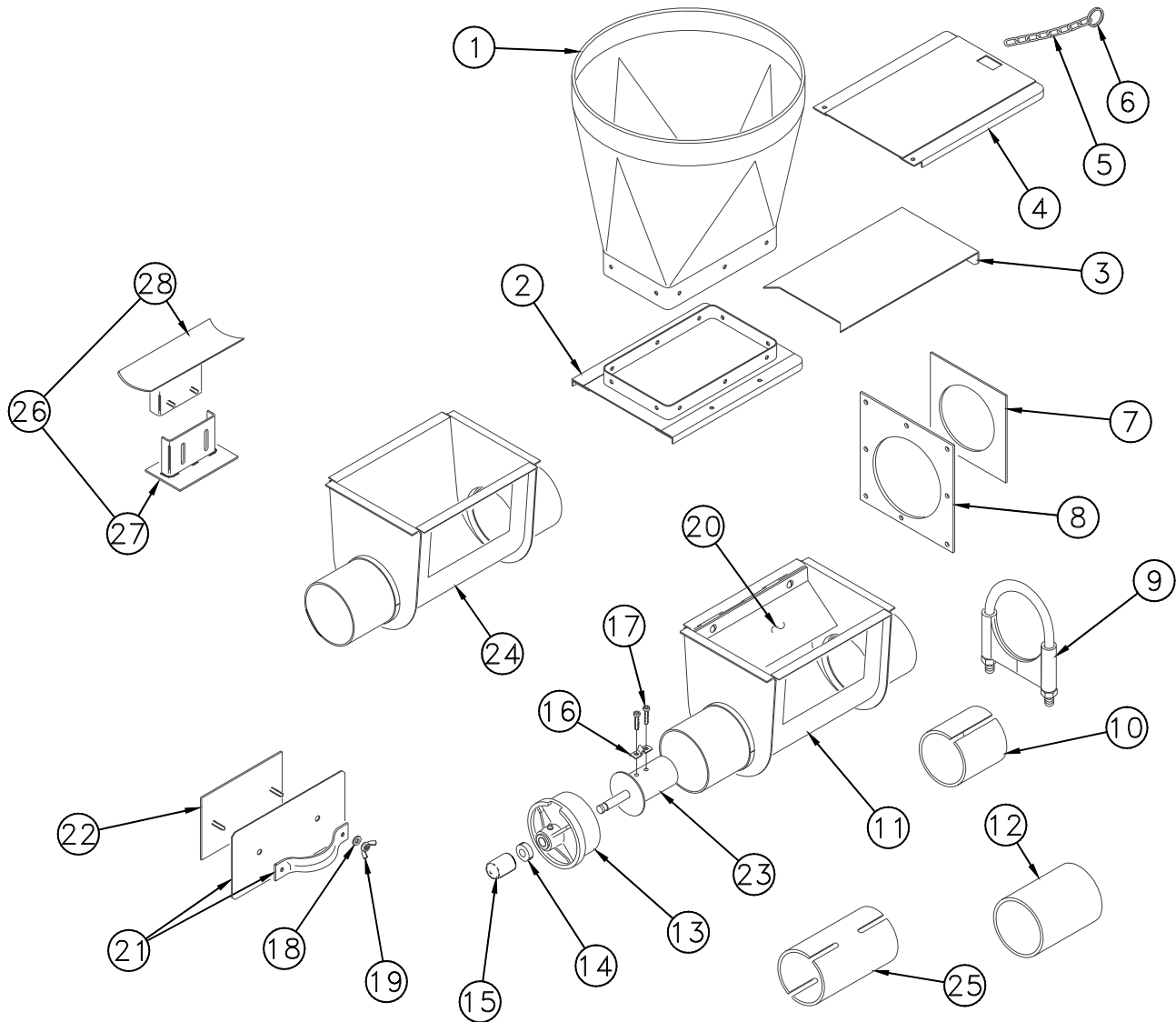


## Two Motor Tandem System Wiring Diagram

(Three Phase, 230/380/415/460 V, 50/60 Hz, w/ Motor Starters)



## Two Motor Tandem Boot Parts Listing



MA1101-1 5/95

Key	Description	Part No.	Key	Description	Part No.
1	Straight-Out Upper Boot	6093	20	Baffle	14239
2	Transfer Plate	4359	21	Cover Weldment	6301
3	Slide	4357	22	Back Plate Assembly	6298
4	Slide Shield	4876	23	Anchor Weldment	34369
5	Chain	2128-1	24	Straight-Thru Boot Body Weld.	30385
6	Ring	1706	25	Model 108 Connector (steel sys)	30277
7	Neoprene Seal	34334	26	Boot Support Assembly	9987
8	Seal Ring	8117	27	Support Weldment	13044
9	Tube Clamp (for STEEL systems)	34338	28	Shoe Weldment	13047
	Tube Clamp (for PVC systems)	14373	--	Transfer Plate Assembly	7856
10	Tube Insert	34337			
11	Boot Body Weldment	30386			
12	Tube Connector (for PVC syst.)	34557			
13	Bearing Cap Assembly	30314			
14	5/8" Set Collar	1386			
15	Safety Cap	29703			
16	Anchor Clamp	7703			
17	5/16-18x7/8" Sock. Hd. C.S.	6850-1			
18	Sealing Washer	8491			
19	5/16-18 Wingnut	2146			

Note: Items #2 through #24 make up the Lower Boot Assembly (part no. 34341).

Items #2 through #6 make up the Slide and Transfer Kit (part no. 6284).

The Model 108 Connector (item #25) may be ordered with (2) Tube Clamps (part no. 34338) as a kit under part no. 34419.

***THANK-YOU for purchasing a Chore-Time  
Model 108 Two Motor Tandem System.***



Contact your nearby Chore-Time distributor or representative for additional parts and information.

Chore-Time Equipment, A Division of CTB, Inc.  
P.O. Box 2000, Milford, Indiana 46542-2000 U.S.A.

Printed in the U.S.A.