



SENSOR PLUS™ Drop Tube Switch with Heater & Safety Timer

Part Number 49264

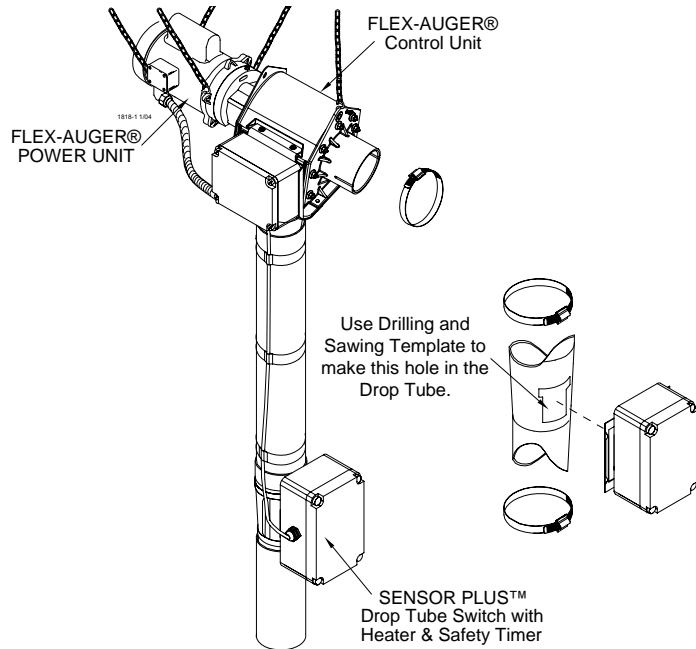
Introduction

The SENSOR PLUS™ Drop Tube Switch with Heater has been designed to work with the Model 55, 75, 90, HMC and 108 FLEX-AUGER® Fill Systems.

The Safety Timer will allow the operator to set the maximum run time for the auger to ensure that it will not continue to operate if the feed bin runs out of feed.

The SENSOR PLUS™ Drop Tube Switch with Heater has a built in heater to dissipate moisture around the sensor.

The SENSOR PLUS™ Drop Tube Switch with Heater can be installed in-line on the Drop Tube. A drilling and sawing template is provided for cutting the mounting hole into the drop tube. See **page 5** for template.



Installation

Locate the desired point for the switch to be placed on the drop tube or telescoping drop tube, then tape the drill and saw template to that location. Proceed to drill and saw as specified on the template to remove the tube wall under the shaded area of the template.

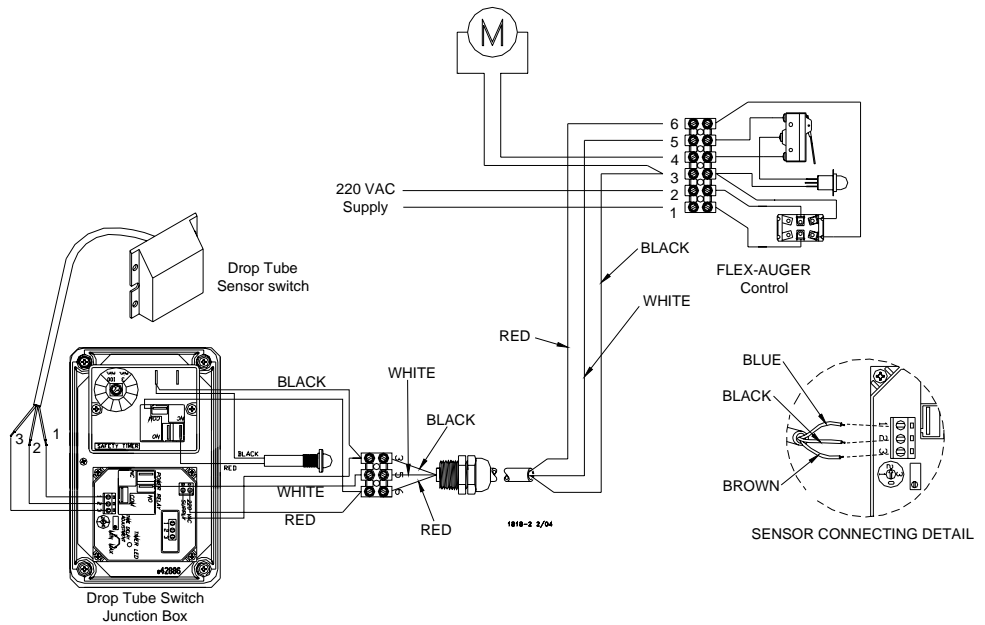
With the sloped side of the sensor facing upwards, insert the sensor side of the switch assembly in the hole that was just created. Wrap the sides of the frame around the drop tube and place an adjustable clamp at the top and bottom of the frame then tighten securely.

Wire the switch to the control unit following the diagram provided. See **page 2**.

Wiring Diagram

See diagram at right.

1. "RED" wire from Drop Tube Switch to terminal number 6 in the FLEX-AUGER Control.
2. "BLACK" wire from Drop Tube Switch to terminal number 3 in the FLEX-AUGER Control.
3. "WHITE" wire from Drop Tube Switch to terminal number 5 in the FLEX-AUGER Control.

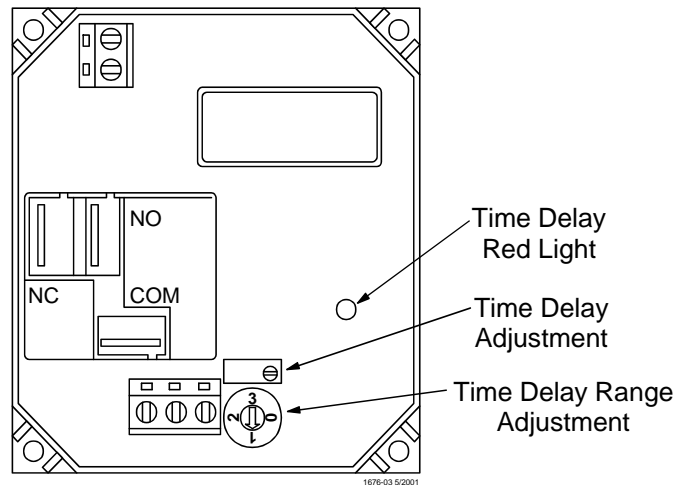


49264 Drop Tube Switch Wiring Diagram

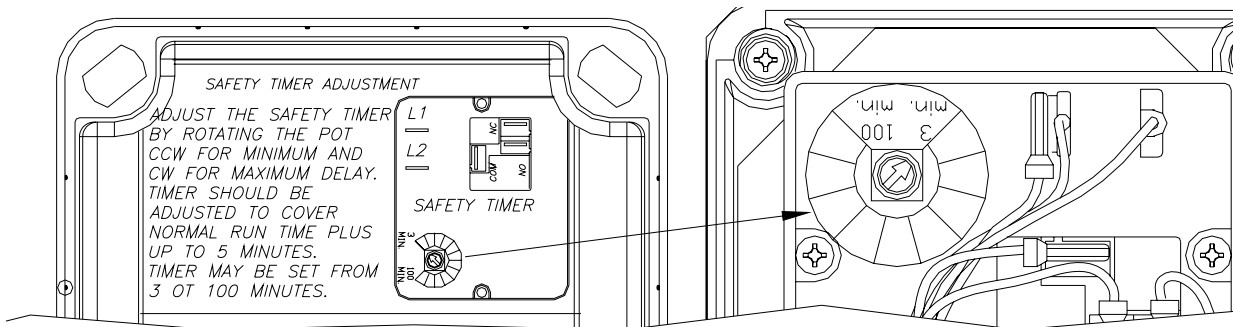
Time Delay Adjustment

The time delay is set at the factory at 10 to 15 seconds.

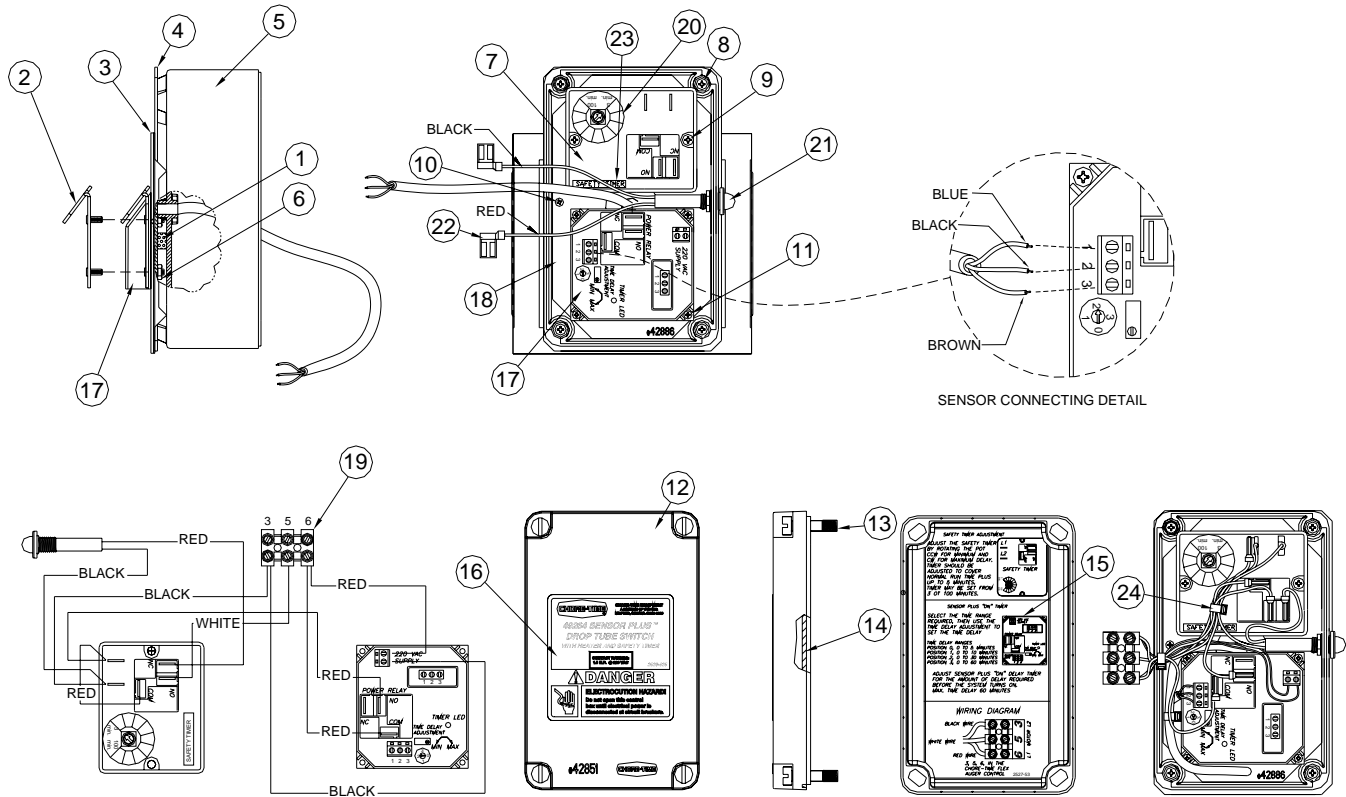
1. Select a time delay range for the SENSOR PLUS switch. The ranges are:
 - 0 0 to 5 minutes
 - 1 0 to 10 minutes
 - 2 0 to 30 minutes
 - 3 0 to 60 minutes
2. With power applied, locate the Time Delay Red Light in the junction box. A slow blinking light means that the time delay is long.
3. Turning the Time Delay Adjustment counter-clockwise will shorten the time delay and make the light blink faster, turning the Time Delay Adjustment clockwise will lengthen the time delay and make the light blink slower.



Safety Timer Adjustment



SENSOR PLUS™ Drop Tube Switch Parts List

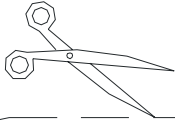


Item	Description	Part No.
1	Gasket	6968-1
2	Sensor Retainer	51361
3	Frame/Seal Assembly	49263
4	Adapter Plate	46731
5	Machined 4 x 6 Box	46729
6	#6-32 Steel Nut	771
7	Timer Module	46732
8	#8-32 x .375 SFTP Screw	46092
9	#6-32 x .875 SFTP Screw	46986
10	#6 Screw	46011
11	#4-40 x .25 SFTP Screw	46987
12	4 x 6 Plastic Box Cover	42851

Item	Description	Part No.
13	4 x 6 Plastic Box Cover	42849
14	4 x 6 Gasket	42854
15	Decal	2527-53
16	Decal	2527-825
17	Switch, Sensor Plus Level Ass'y w/ Heater	48579
18	Switch Box Rear Panel	46730
19	Terminal Block (3 position)	34925-3
20	Decal	2527-54
21	Pilot Light	46047
22	90 Deg. Quick Connect	40579
23	Decal	2527-55
24	Wire Ties	6635

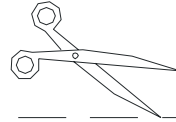
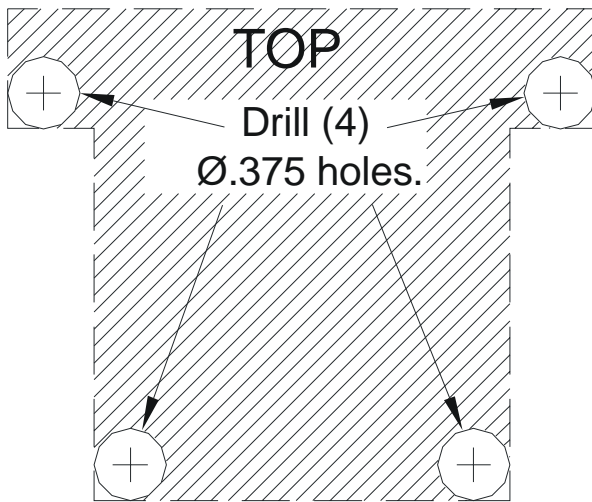
This page left blank for notes.

Drill and Saw Template



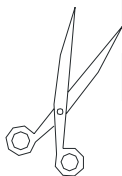
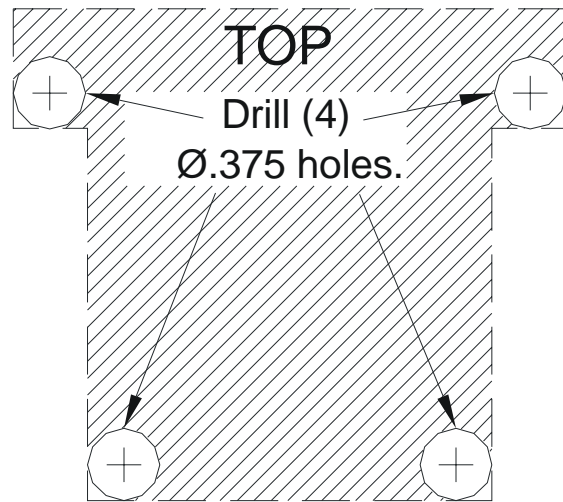
Drill and Saw Template For 1932 (3.172") Drop Tube

Place vertically at desired location on Drop Tube. Drill and Saw, or cut to remove shaded area of the tube wall.



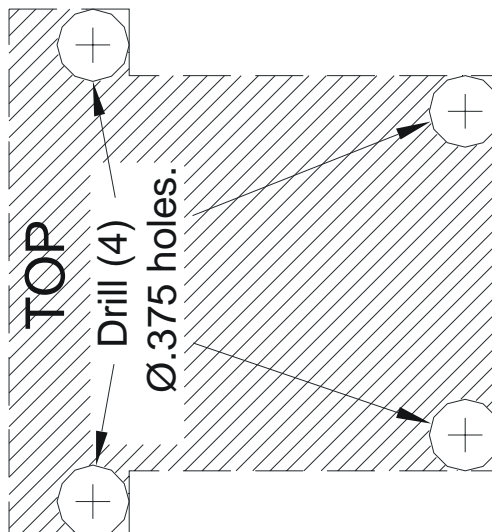
Drill and Saw Template For 6381 (3.800") Drop Tube

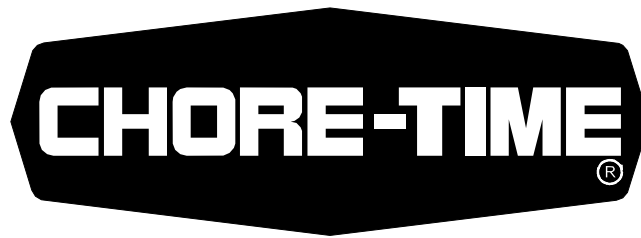
Place vertically at desired location on Drop Tube. Drill and Saw, or cut to remove shaded area of the tube wall.



Drill and Saw Template For 9900 (4.970") Drop Tube

Place vertically at desired location on Drop Tube. Drill and Saw, or cut to remove shaded area of the tube wall.





MADE TO WORK.

BUILT TO LAST.®

Contact your nearby Chore-Time distributor or representative for additional parts and information.

CTB Inc.
P.O. Box 2000 • Milford, Indiana 46542-2000 • U.S.A.
Phone (574) 658-4101 • Fax (800) 333-4191
E-mail: poultry@choretime.com • Internet: www.choretimepoultry.com

Printed in the U.S.A.