



Poultry Production Systems

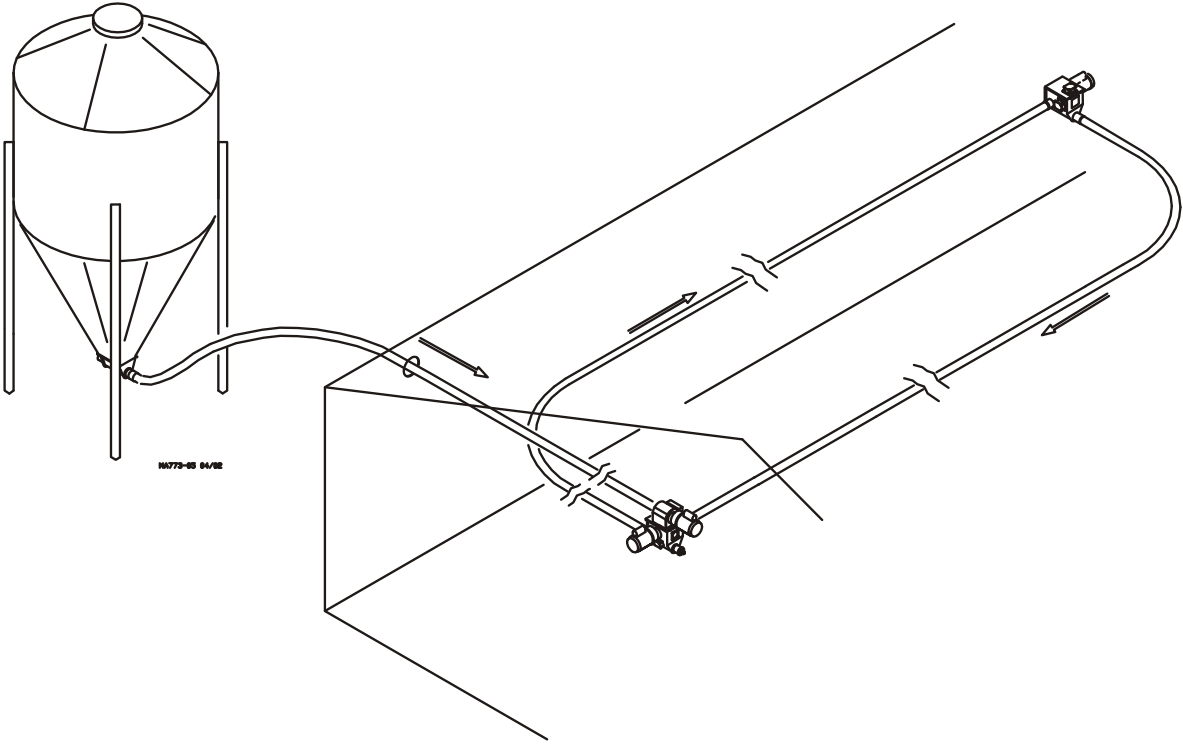
**Circulating Feed Delivery System
Installation Instructions**

for

**Model 55, 75, 90, & HMC FLEX-AUGER®
Feed Delivery Systems**

Installation and Operators Manual

Installation and Operators Manual



Chore-Time Limited Warranty

Chore-Time Group, a division of CTB, Inc. (“Chore-Time”) warrants each new CHORE-TIME Linear Lift™ manufactured by Chore-Time to be free from defects in material or workmanship under normal usage and conditions, for One (1) year from the date of installation by the original purchaser (“Warranty”). If such a defect is determined by Chore-Time to exist within the applicable period, Chore-Time will, at its option, (a) repair the Product or Component Part free of charge, F.O.B. the factory of manufacture or (b) replace the Product or Component Part free of charge, F.O.B. the factory of manufacture. This Warranty is not transferable, and applies only to the original purchaser of the Product.

CONDITIONS AND LIMITATIONS

THIS WARRANTY CONSTITUTES CHORE-TIME’S ENTIRE AND SOLE WARRANTY AND CHORE-TIME EXPRESSLY DISCLAIMS ANY AND ALL OTHER WARRANTIES, INCLUDING, BUT NOT LIMITED TO, EXPRESS AND IMPLIED WARRANTIES, INCLUDING, WITHOUT LIMITATION, WARRANTIES AS TO MERCHANTABILITY OR FITNESS FOR PARTICULAR PURPOSES. CHORE-TIME shall not be liable for any direct, indirect, incidental, consequential or special damages which any purchaser may suffer or claim to suffer as a result of any defect in the Product. Consequential or Special Damages as used herein include, but are not limited to, lost or damaged products or goods, costs of transportation, lost sales, lost orders, lost income, increased overhead, labor and incidental costs, and operational inefficiencies. *Some jurisdictions prohibit limitations on implied warranties and/or the exclusion or limitation of such damages, so these limitations and exclusions may not apply to you. This warranty gives the original purchaser specific legal rights. You may also have other rights based upon your specific jurisdiction.*

Compliance with federal, state and local rules which apply to the location, installation and use of the Product are the responsibility of the original purchaser, and CHORE-TIME shall not be liable for any damages which may result from non-compliance with such rules.

The following circumstances shall render this Warranty void:

- Modifications made to the Product not specifically delineated in the Product manual.
- Product not installed and/or operated in accordance with the instructions published by CHORE-TIME.
- All components of the Product are not original equipment supplied by CHORE-TIME.
- Product was not purchased from and/or installed by a CHORE-TIME authorized distributor or certified representative.
- Product experienced malfunction or failure resulting from misuse, abuse, mismanagement, negligence, alteration, accident, or lack of proper maintenance, or from lightning strikes, electrical power surges or interruption of electricity.
- Product experienced corrosion, material deterioration and/or equipment malfunction caused by or consistent with the application of chemicals, minerals, sediments or other foreign elements.
- Product was used for any purpose other than for the care of poultry and livestock.

The Warranty and Extended Warranty may only be modified in writing by an officer of CHORE-TIME. CHORE-TIME shall have no obligation or responsibility for any representations or warranties made by or on behalf of any distributor, dealer, agent or certified representative.

Effective: **September 2014**

Chore-Time Group. A division of CTB, Inc.
PO Box 2000
Milford, Indiana 46542-2000 USA
Phone (574) 658-4101 Fax (877) 730-8825
E-mail: poultry@choretime.com
Internet: www.choretimepoultry.com

Table of Contents

Topic	Page
Chore-Time Warranty	2
Support Information	4
Distributor and Installer Information	4
Safety Information	5
Safety–Alert Symbol.	5
Signal Words.	5
DANGER: Moving Auger	5
DANGER: Electrical Hazard	5
Auger Caution.	6
Introduction	6
Installation	71
Circulating Feed Delivery System Wiring Diagram.	8
Circulating Feed Delivery System Wiring Diagram.	9
Circulating Feed Delivery System Wiring Diagram.	10
Extension Hopper Parts Diagram	11
Extension Hopper Parts Listing	12

*Legend: C = Customer (end user), D = Distributor (sales), I - Installer of equipment

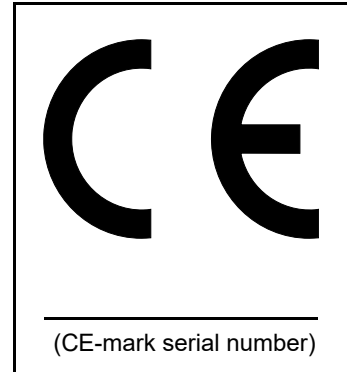
Using this equipment for any other purpose or in a way not within the operating recommendations specified in this manual will void the warranty and may cause personal injury.

This manual is designed to provide comprehensive planning, installation, operation, and parts listing information. The Table of Contents provides a convenient overview of the information in this manual. The Table of Contents also specifies which pages contain information for the sales personnel, installer, and consumer (end user).

Refer to Chore-Time Model 55/75/90/HMC Installation Manual for additional installation, operation, and parts listing information.

IMPORTANT: CE stands for certified Europe. It is a standard which equipment must meet or exceed in order to be sold in Europe. **CE** provides a benchmark for safety and manufacturing issues. **CE is required only on equipment sold in Europe.**

Chore-Time Equipment recognizes CE Mark and pursues compliance in all applicable products. *Fill in the CE-Mark serial number in the blank space provided for future reference.*



Please fill in the following information about your Product.
Keep this manual in a clean, dry place for future reference.

Distributor's Name _____

Distributor's Address _____

Distributor's Phone _____ **Date of Purchase** _____

Installer's Name _____

Installer's Address _____

Installer's Phone _____ **Date of Installation** _____

System Specifications _____

Caution, Warning and Danger Decals have been placed on the equipment to warn of potentially dangerous situations. Care should be taken to keep this information intact and easy to read at all times. Replace missing or damaged safety signs.

Using the equipment for purposes other than specified in this manual may cause personal injury and or damage to the equipment.

Safety–Alert Symbol

This is a safety–alert symbol. When you see this symbol on your equipment, be alert to the potential for personal injury. This equipment is designed to be installed and operated as safely as possible...however, hazards do exist.



Signal Words

Signal words are used in conjunction with the safety–alert symbol to identify the severity of the warning.

DANGER indicates an imminently hazardous situation which, if not avoided, **WILL** result in death or serious injury.



WARNING indicates a potentially hazardous situation which, if not avoided, **COULD** result in death or serious injury.



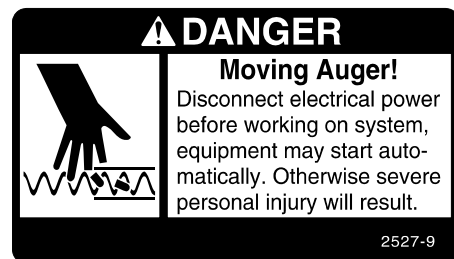
CAUTION indicates a hazardous situation which, if not avoided, **MAY** result in minor or moderate injury.



DANGER: Moving Auger

This decal is placed on the Panel Weldment.

Severe personal injury will result, if the electrical power is not disconnected, prior to servicing the equipment.



DANGER: Electrical Hazard

Disconnect electrical power before inspecting or servicing equipment unless maintenance instructions specifically state otherwise.

Ground all electrical equipment for safety.

All electrical wiring must be done by a qualified electrician in accordance with local and national electric codes.

Ground all non-current carrying metal parts to guard against electrical shock.

With the exception of motor overload protection, electrical disconnects and over current protection are not supplied with the equipment.





Auger Caution!

Use caution when working with the Auger—Springing auger may cause personal injury.

Introduction

A Circulating Feed Delivery System makes it possible to regulate the amount of feed delivered to a particular drop tube, hopper, or drop feeder. The Circulating Feed Delivery System allows multiple feedings at random locations around the system without overloading or jamming the system with feed.

Many variations are possible using the Model 55, 75, 90, or HMC FLEX-AUGER.

Plan the system carefully before beginning installation.

Installation

1. Install the Control Unit to deliver feed from bin to circulating system.
2. Remove the top cover of the Extension Hopper and replace with an Adapter Plate (part no. 45970). Fasten Control Unit to Transition Plate. See Detail "A".
3. Install auger tubes and elbows to reach opposite corner of circulating system
4. Install the Extension Hopper. See Detail "B".
5. Install auger tubes and elbows to connect the system to the first Extension Hopper.
6. Wire the system according to the appropriate wiring diagram in this instruction.

Standard Circulating Feed Delivery System

A proposed, typical plan for a Circulating Feed Delivery System is shown below in **Figure 1.**

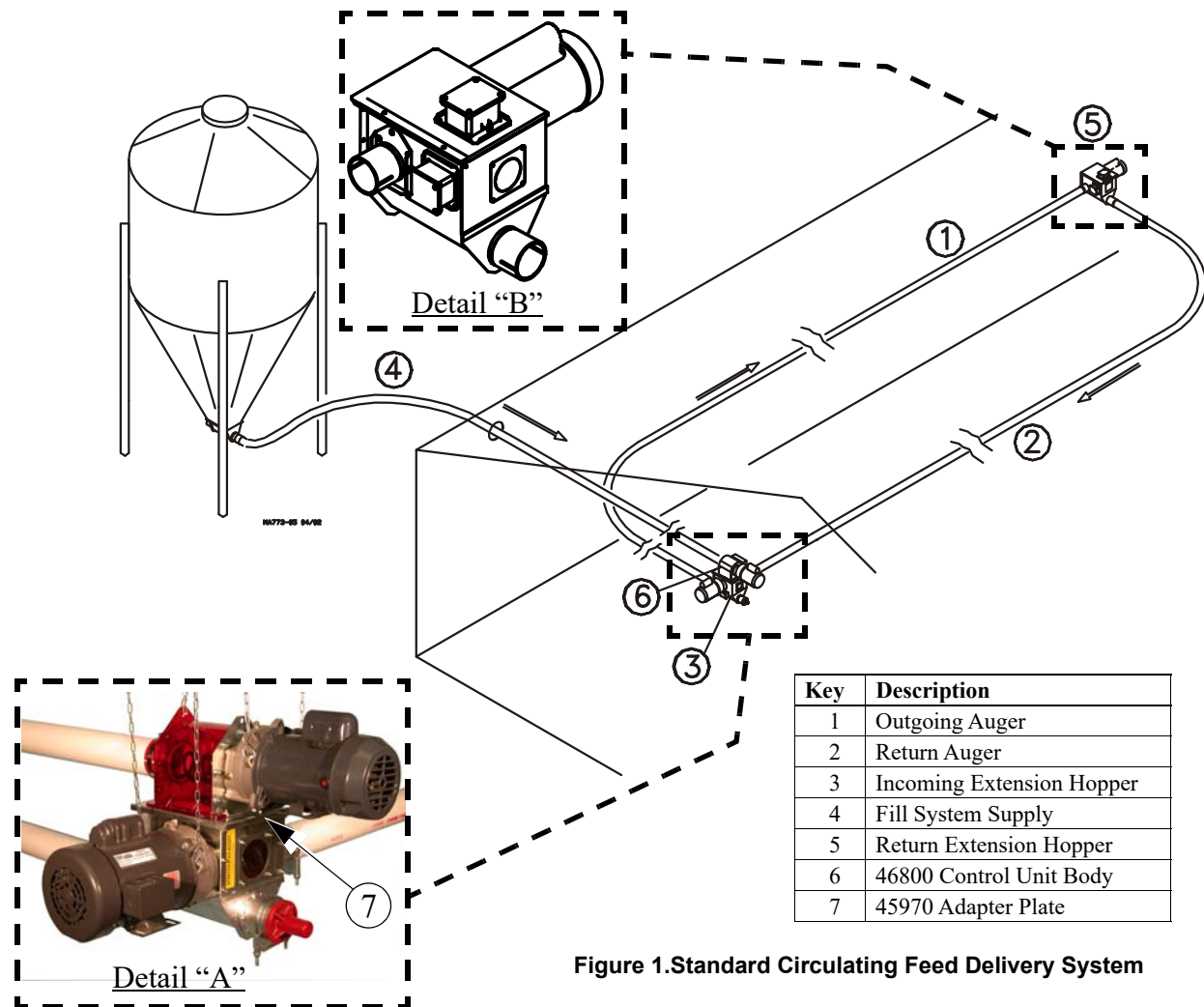


Figure 1. Standard Circulating Feed Delivery System

Over and Under Feed Delivery System

Over and Under- Another proposed plan is shown in **Figure 2**. No Elbows are required for this circulating system. This plan is typically used to supply feed to multiple lines or loops running independent of one another. This over-and-under system should dispense the feed from the return circulating line.

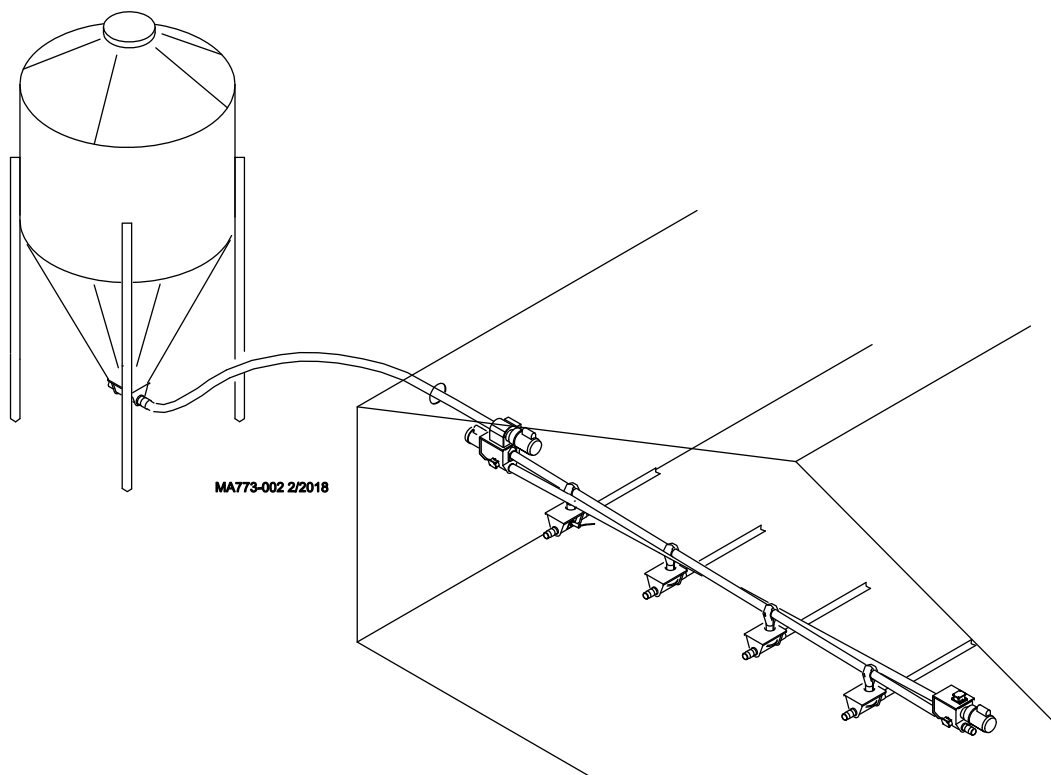
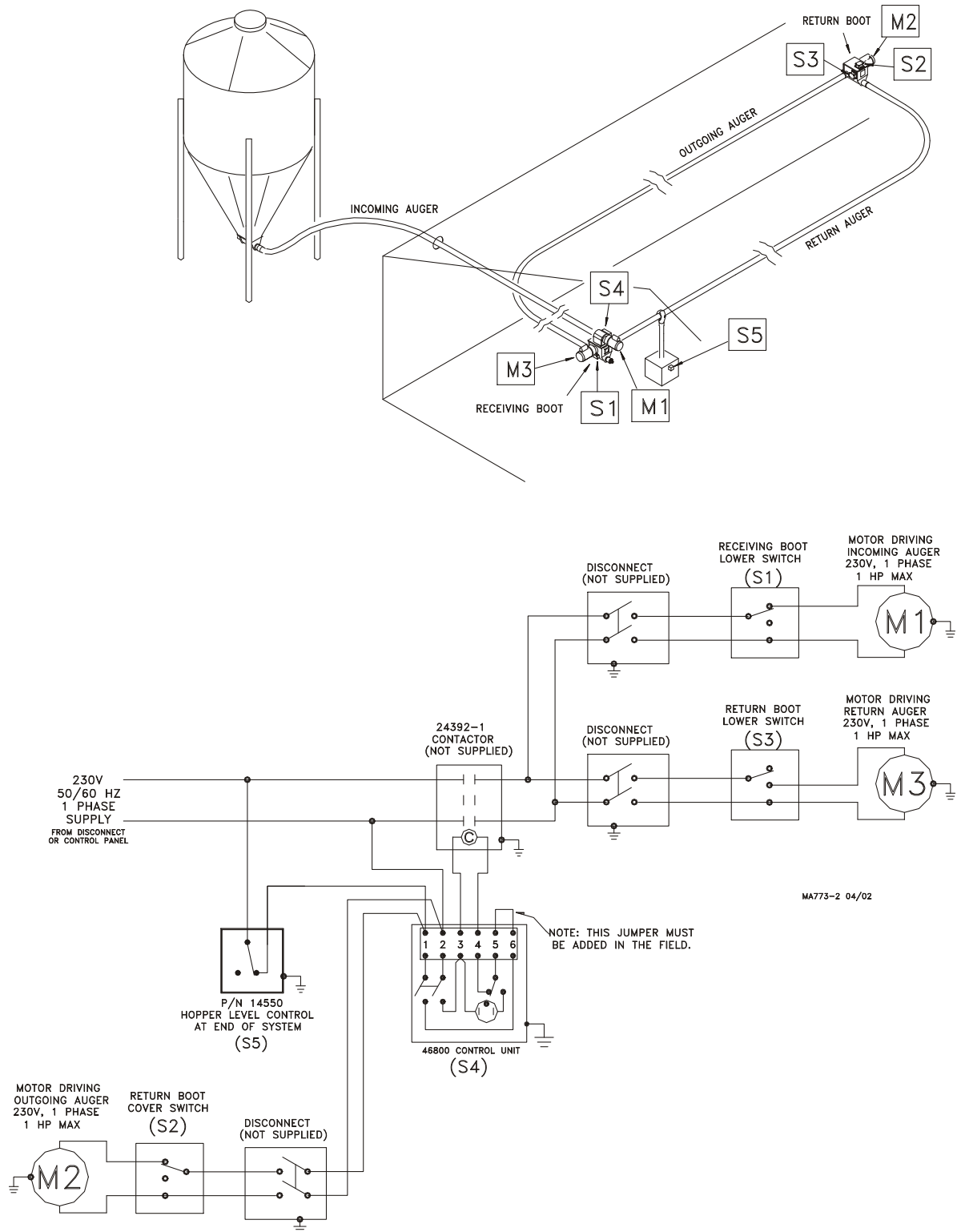


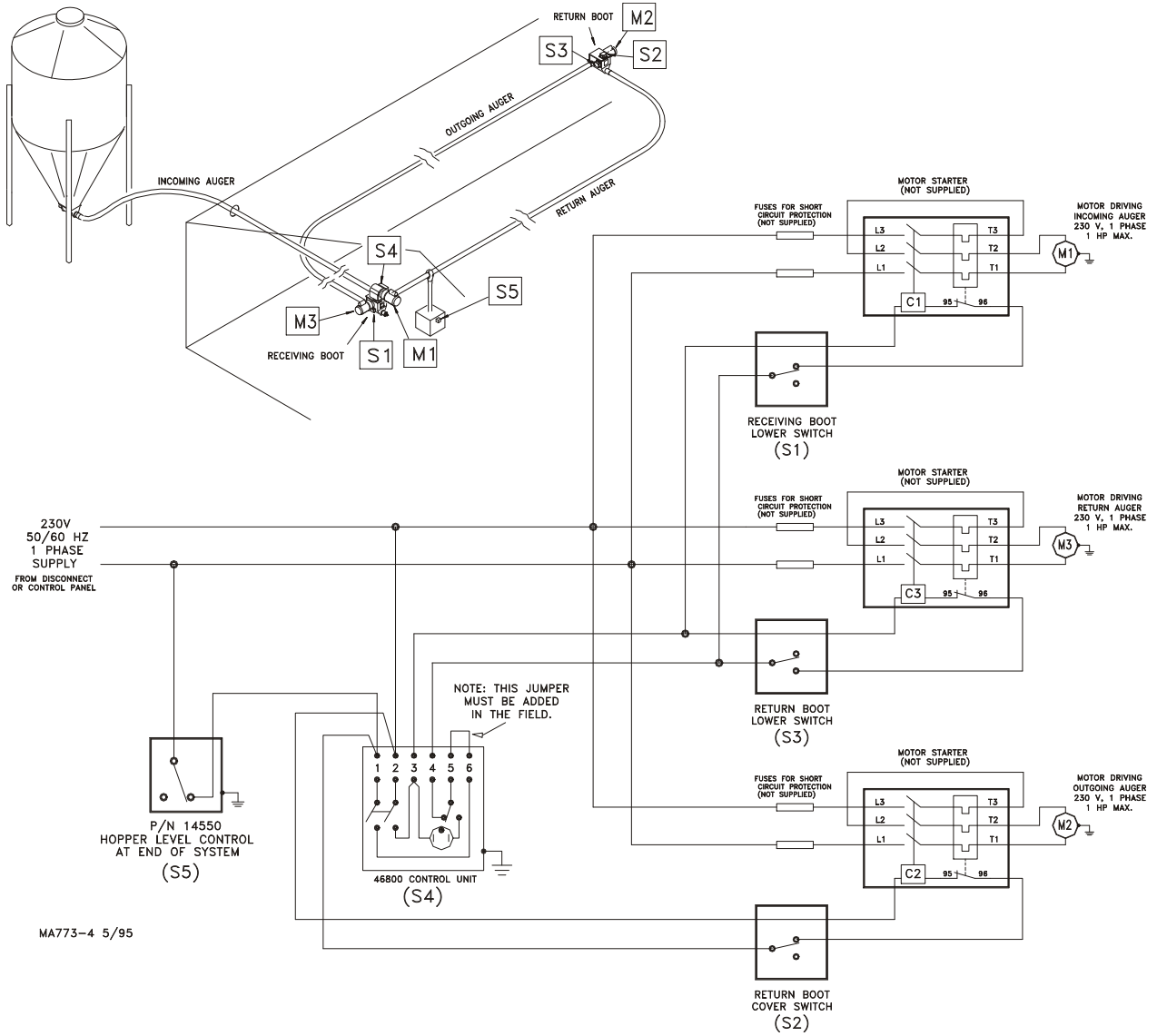
Figure 2.Over and Under Feed Delivery System

Wiring

Single Phase, 230V, 50/60 Hz, w/o Motor Starters

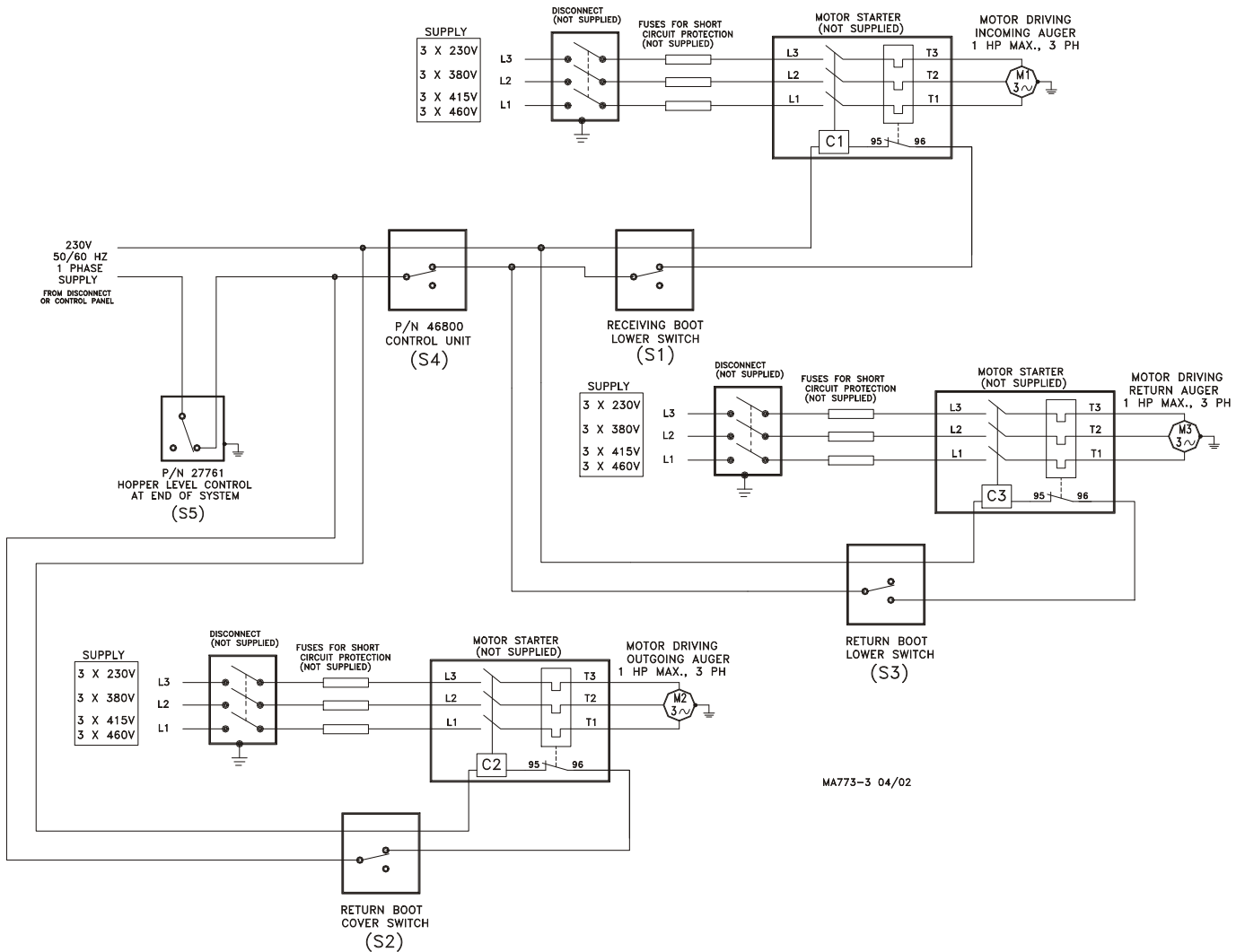
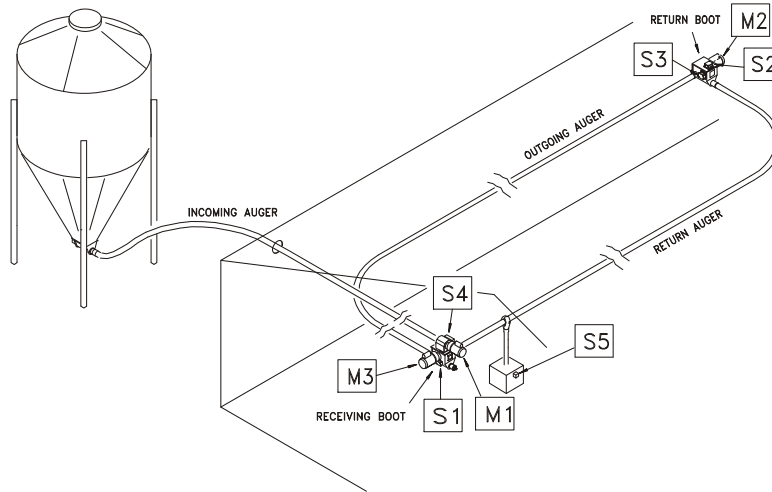


Single Phase, 230V, 50/60 Hz, w/ Motor Starters



MA773-4 5/95

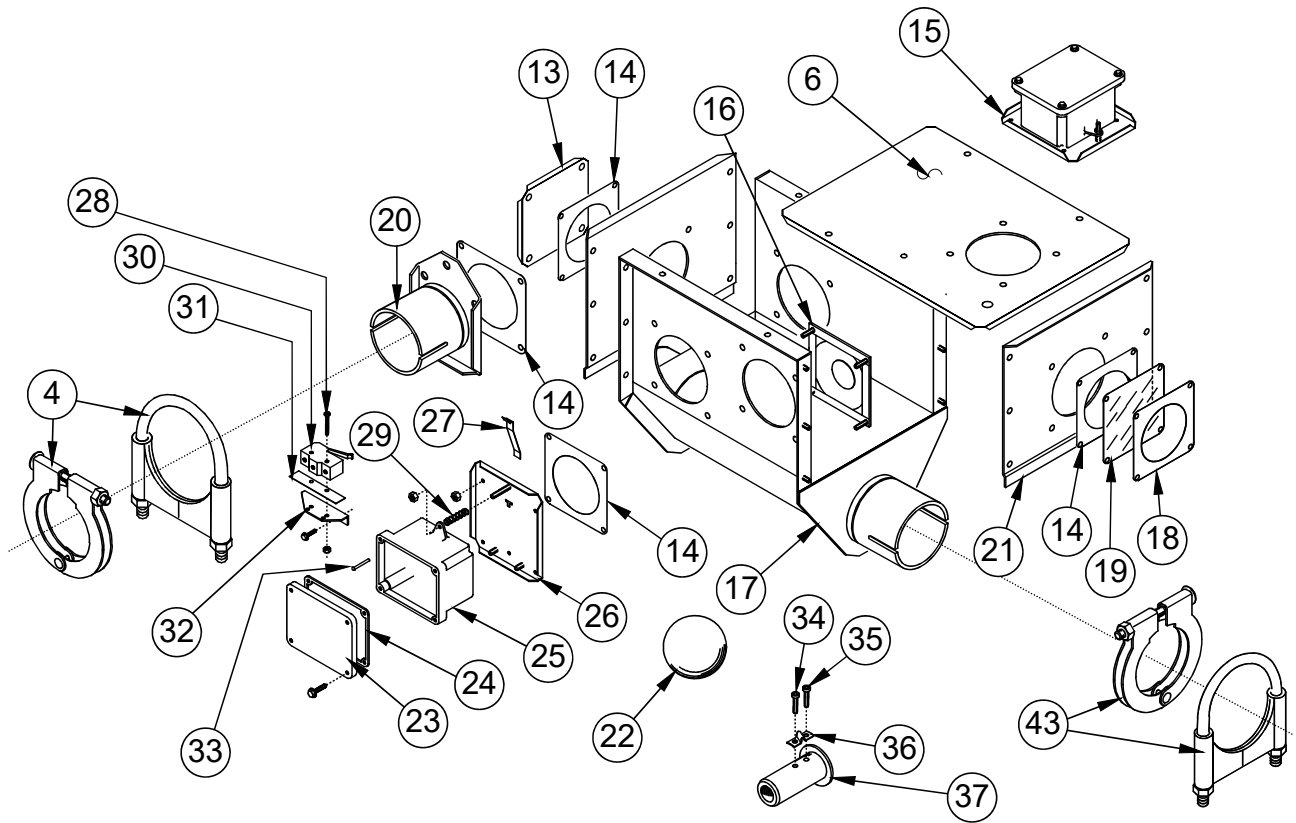
Three Phase, 230/380/415/460V, 50/60 Hz



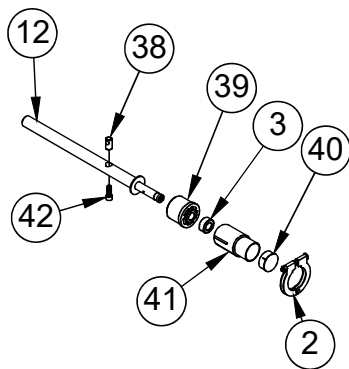
MA773-3 04/02

Part Numbers

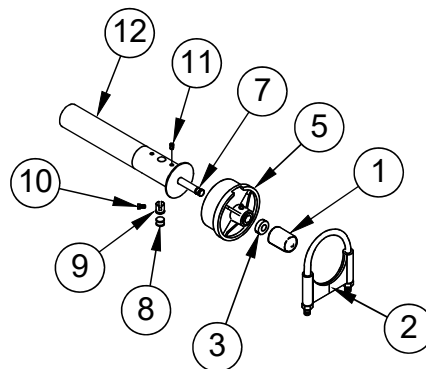
Extension Hopper Part Numbers



Model 55



Model 75, 90, & HMC



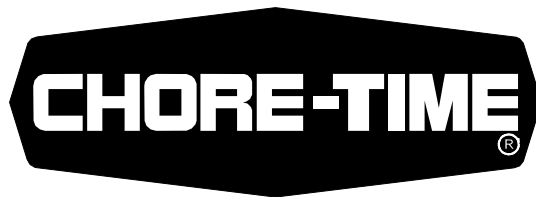
MA709-17 5/99

Parts List

Key	Description	Part No.
1*	Safety Cap (Model 75, 90, HMC)	29702
2	Tube Clamp Kit (Model 55) Tube Clamp Kit (Model 75) Tube Clamp Kit (Model 90, HMC)	29520 4141 6721
3*	5/8" Set Collar	1386
4	Tube Clamp Kit (Model 55) Tube Clamp Kit (Model 75) Tube Clamp Kit (Model 90, HMC)	35726 6515 6721
5*	Bearing Cap Assembly (Model 75) Bearing Cap Assembly (Model 90, HMC)	35440 34830
6***	Cover Assembly	7839
7*	Anchor Shaft (Model 75) Anchor Shaft (HMC) Anchor Shaft (Model 90)	37345 6839 6832
8*	Clamp Spacer (Model 90)	5009
9*	Clamp Pin (Model 75, 90, HMC)	4702
10*	5/16-18 x 1/2" Set Screw (Model 75, 90, HMC)	5095
11*	5/16-18 x 3/8" Set Screw (Model 75, 90, HMC)	1174
12*	Anchor Weldment (Model 55) (Model 75, HMC) (Model 90)	39410 6840 6833
13	Cover Plate	4878
14**	Seal	4873
15	Switch and Plate Assembly	7840
16	Diaphragm Assembly	7900
17	Boot Body Weld. (Model 55) Boot Body Weld. (Model 75) Boot Body Weld. (Model 90, HMC)	40168 7878 28881
18	Window Plate	7842
19	Window	7852
20	Tube Anchor Weldment (Model 55) Tube Anchor Weldment (Model 75) Tube Anchor Weldment (Model 90, HMC)	35531 6518 5069
21	Access Panel Assembly	7928
22	Cannonball (Model 55) Cannonball (Model 75, 90, HMC)	3621 3531
23**	Switch Box Cover	6776
24**	Gasket	6777

	Description	Part No.
25**	Switch Box	7841
26**	Switch Mounting Plate	7908
27**	Paddle	7896
28**	6-32 x 7/8" Pan Hd. Screw	1921
29**	Compression Spring	6972
30**	SPDT Actuator Switch	7114
31**	Switch Insulation	1907-5
32**	Switch Bracket	7068
33**	1/8 x 1" Rd Hd Rivet	8757
34	5/16-18 X 1/2 Socket Hd Screw	6850-3
35	5/16-18 x 2-1/4 Socket Hd Screw	6850-4
36	Anchor Block	7703
37	Driver Weldment (Model 75, HMC) (Model 90)	7704 7706
*38	Auger Clamp (Model 55)	39205
*39	Anchor Bearing (Model 55)	39407
40	Cap (Model 55)	29523
41	Stub Tube (Model 55)	4163
*42	Socket Head Screw (Model 55)	6850-7
43	Tube Clamp Kit (Model 55) Tube Clamp Kit (Model 75) Tube Clamp Kit (Model 90)	29515 6515 6721
Part Numbers for Complete Extension Hopper Kits		
	Model 55 Kit	40170
	Model 75 Kit	7944
	Model 90 Kit	7869
	Model HMC Kit	7849

This page left blank intentionally.....



**MADE TO WORK.
BUILT TO LAST.®**

Revisions to this Manual

Page No.	Description of Change	ECO
7	Added Figure 2	33212

Contact your nearby Chore-Time distributor or representative for additional parts and information.

CTG, A Division of CTB, Inc.
P.O. Box 2000 • Milford, Indiana 46542-2000 • U.S.A.
Phone (574) 658-4101 • Fax (800) 333-4191
E-Mail: poultry@choretime.com • Internet: www.choretimepoultry.com

Printed in the U.S.A.