



Chore-Tronics®

20 Amp Variable Speed Kit Instruction

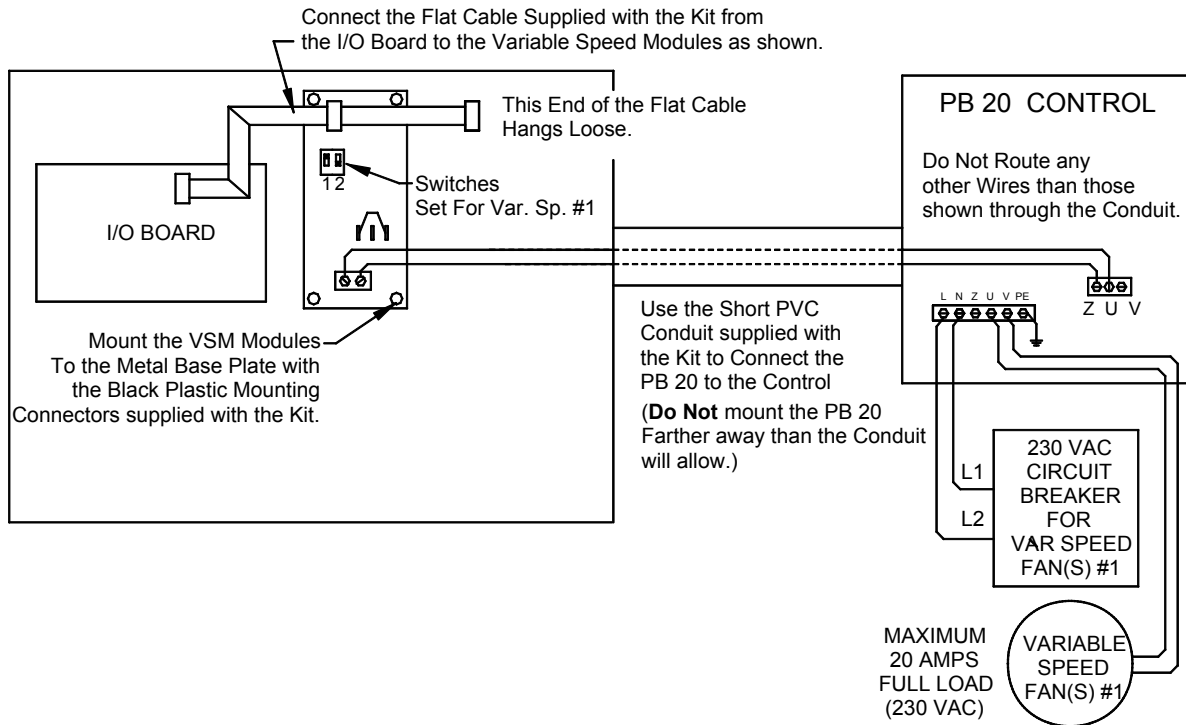
Caution, Warning and Danger Decals have been placed on the equipment to warn of potentially dangerous situations. Care should be taken to keep this information intact and easy to read at all times. Replace missing or damaged safety decals immediately.



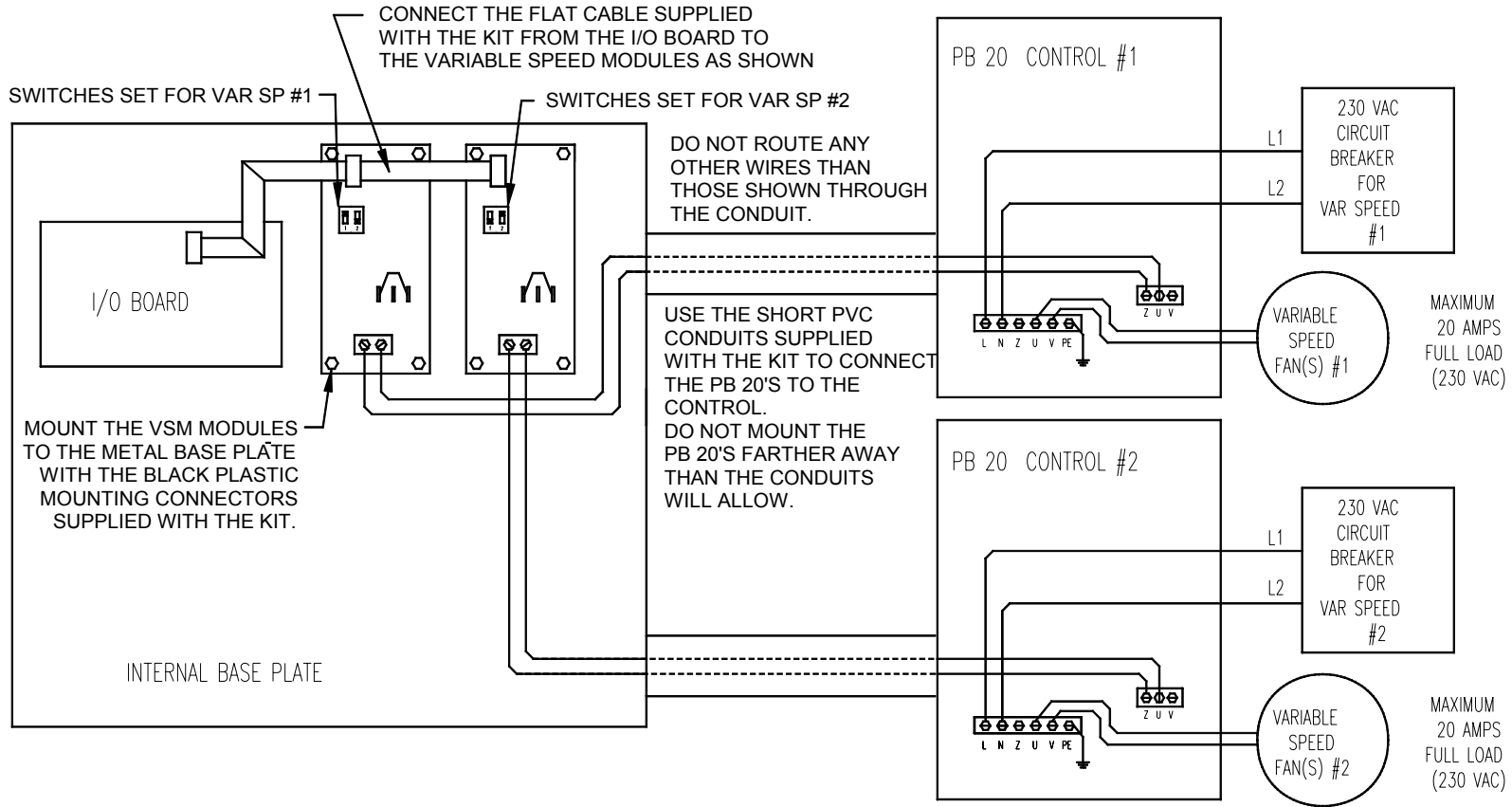
DANGER: Electrical Hazard

Disconnect electrical power before inspecting or servicing equipment unless maintenance instructions specifically state otherwise. Ground all electrical equipment for safety. All electrical wiring must be done by a qualified electrician in accordance with local and national electric codes. Ground all non-current carrying metal parts to guard against electrical shock. With the exception of motor overload protection, electrical disconnects and over current protection are not supplied with the equipment.

Variable Speed Kit (pn 42520) Wiring.



Variable Speed Kit pn (42522) Wiring



CTB Inc.
 P.O. Box 2000 • Milford, Indiana 46542-2000 • U.S.A.
 Phone (574) 658-4101 • Fax (877) 730-8825
 Email: ctb@ctbinc.com • Internet: <http://www.ctbinc.com>