

# 42191 Sump Installation

## Before Installing:

Chore-Time recommends that the Sump be supported from underneath. This will save on wear and tear of both the Sump and the Trough.

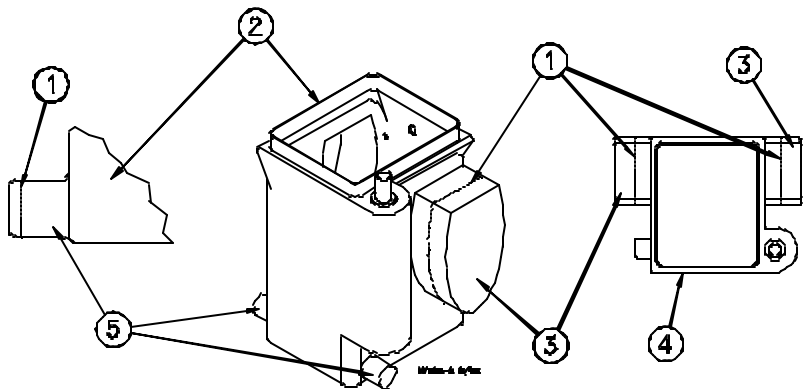
## Installation:

Determine which side of the trough the Sump will be located. This step will determine which side of the Sump will need to be modified before installation.

If the Sump is to be installed to the right of the Trough, the left side of the Sump will need to be cut at the indicated line. If the Sump is to be installed to the left of the Trough, the right side of the Sump will need to be cut at the indicated line. See Figure 1.

**NOTE: The end that is cut off will be used for the Trough End Cap.**

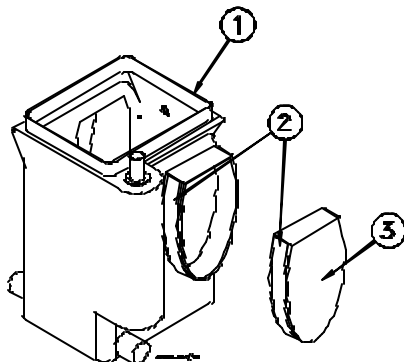
Decide which side of the Sump will be used for the drain and cut off the end. Install the 1-1/2" Drain Plug.



Item	Description
1	Drain Cut Line
2	Sump
3	Trough End Cap
4	Front of Sump
5	Optional Drain Locations

Figure 1. Cutting the Sump

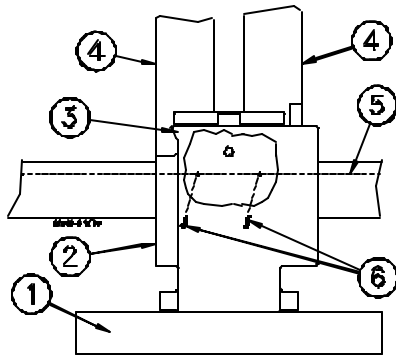
Place the self-adhesive foam tape around the trough end of the Sump and around the Trough End Cap.



Item	Description
1	Sump
2	Foam Tape
3	Trough End Cap

Figure 2. Taping the Sump and Trough End Cap

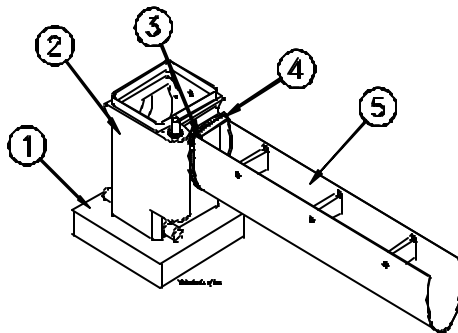
Attach the Sump to the Bottom Stringer with the two included 1/4 x 1-1/2" Lag Screws. The Lag Screws should line up with the chalk line on the bottom stringer.



Item	Description
1	Sump Support (not supplied)
2	Trough end of Sump
3	Sump
4	System Framing on House
5	Bottom Stringer Chalk Line
6	1/4 x 1-1/2 Lag Screw

Figure 3. Attaching the Sump to the Bottom Stringer

Position Trough against the Sump, as shown in Figure 4, and fasten with a Hose Clamp.



Item	Description
1	Sump Support
2	Sump
3	Hose Clamp
4	Foam Tape
5	Trough

Figure 4. Attaching the Trough to the Sump

Position the Trough End Cap on the opposite end of the Trough, as shown in Figure 5, and fasten with a Hose Clamp.

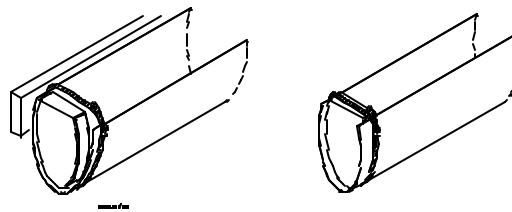


Figure 5. Attaching the Trough End Cap to the Trough

CTB Inc.  
 P.O. Box 2000 • Milford, Indiana 46542-2000 • U.S.A.  
 Phone (219) 658-4101 • Fax (800) 333-4191  
 E-Mail: [ctb@ctbinc.com](mailto:ctb@ctbinc.com) • Internet: <http://www.ctbinc.com>