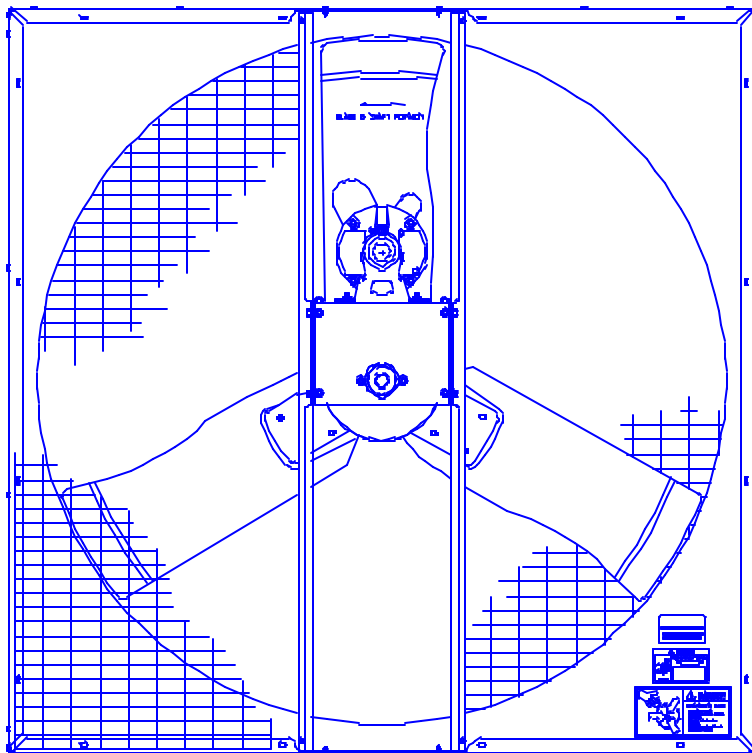


Galvanized Panel Fan

Installation Manual

(48" Belt Drive)



MV1085-3 12/85

WARRANTY INFORMATION

Chore-Time Equipment warrants each new product manufactured by it to be free from defects in material or workmanship for one year from the date of initial installation by the original purchaser. If such a defect is found by Chore-Time to exist within the one year period, Chore-Time will, at its option, (a) repair or replace such product free of charge, F.O.B. the factory of manufacture, or (b) refund to the original purchaser the original purchase price, in lieu of such repair or replacement.

Additional extended warranties are herewith provided to the original purchaser as follows:

1. TURBO™ and RLX™ Fans, less motors, for three years from date of installation.
- *2. Poultry feeder pans that become unusable within five years from date of installation. Warranty prorated after three years usage.
3. MEAL-TIME® Hog Feeder pans that become unusable within five years of installation.
4. Rotating centerless augers, excluding applications involving High Moisture Corn (exceeding 18%), for ten years from date of installation. Note: MULTIFLO® and applications involving High Moisture Corn are subject to a one year warranty.
5. Chore-Time manufactured roll-formed steel auger tubes for ten years from date of installation.
- *6. Laying cages that become unusable within ten years. Warranty prorated after three years usage.
- *7. ULTRAFLO® Auger and ULTRAFLO® Feed Trough (except ULTRAFLO® Trough Liners) are warranted for a period of five (5) years from date of original purchase against repeated breakage of the auger or wear-through of the feed trough caused solely by the auger.

Conditions and limitations:

1. The product must be installed and operated in accordance with instructions published by Chore-Time or warranty will be void.
2. Warranty is void if all components of a system are not supplied by Chore-Time.
3. This product must be purchased from and installed by an authorized Chore-Time dealer or certified representative thereof, or the warranty will be void.
4. Malfunctions or failure resulting from misuse, abuse, negligence, alteration, accident, or lack of proper maintenance shall not be considered defects under this warranty.
5. This warranty applies only to systems for the care of poultry and livestock. Other applications in industry or commerce are not covered by this warranty.

Chore-Time shall not be liable for any consequential or special damage which any purchaser may suffer or claim to have suffered as a result of any defect in the product. "Consequential" or "special damages" as used herein include, but are not limited to, lost or damaged products or goods, costs of transportation, lost sales, lost orders, lost income, increased overhead, labor and incidental costs and operational inefficiencies.

THIS WARRANTY CONSTITUTES CHORE-TIME'S ENTIRE AND SOLE WARRANTY AND CHORE-TIME EXPRESSLY DISCLAIMS ANY AND ALL OTHER WARRANTIES, INCLUDING, BUT NOT LIMITED TO, EXPRESS AND IMPLIED WARRANTIES AS TO MERCHANTABILITY, FITNESS FOR PARTICULAR PURPOSE SOLD AND DESCRIPTION OR QUALITY OF THE PRODUCT FURNISHED HEREUNDER.

Any exceptions to this warranty must be authorized in writing by an officer of the company. Chore-Time reserves the right to change models and specifications at any time without notice or obligation to improve previous models.

*See separate Chore-Time Cage Wire Warranty as to these products.

CHORE-TIME EQUIPMENT, A Division of CTB, Inc.
P.O. Box 2000, Milford, Indiana 46542-2000 U.S.A.

Support Information

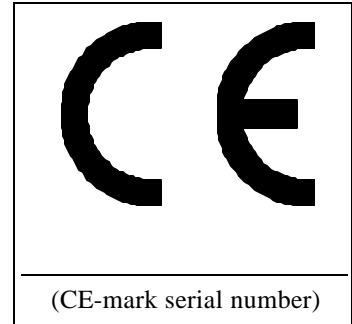
The Chore-Time Panel Fans are designed to be used as exhaust fans or circulating fans in livestock and poultry applications. Using this equipment for any other purpose or in a way not within the operating recommendations specified in this manual will void the warranty and may cause personal injury and/or death.

This manual is designed to provide installation, wiring, and parts listing information. The Table of Contents provides a convenient overview of the information in this manual. The Table of Contents also specifies which pages contain information for the sales personal, installer, and consumer (end user).

IMPORTANT: CE stands for *certified Europe*. It is a standard which equipment must meet or exceed in order to be sold in Europe. CE provides a benchmark for safety and manufacturing issues. CE is required only on equipment sold in Europe.

Chore-Time Equipment recognizes CE Mark and pursues compliance in all applicable products. Please fill in the CE-Mark serial number in the blank space provided for future reference.

Please include the name and address of your Chore-Time Distributor and installer.



Please fill in the following information about your Fans. Keep this manual in a clean, dry place for future reference.

Distributor's Name _____

Distributor's Address _____

Distributor's Phone _____ **Date of Purchase** _____

Installer's Name _____

Installer's Address _____

Installer's Phone _____ **Date of Installation** _____

System Specifications _____

Table of Contents

<u>Topic</u>	<u>Page</u>	<u>User*</u>
Warranty Information.....	2	C, D
Support Information.....	3	C, D
Safety Information.....	4	C, I
Technical Information, Tools needed to install your Fans.....	5	C, I
Fan Assembly Procedure.....	6	I
Fan Installation Procedure.....	6 - 7	I
Fan Wiring Information.....	8	I
Maintenance.....	8	
48" Belt Drive Fan Parts List.....	9	C, I

*Legend: C = Customer (end user), D = Distributor (sales), I = Installer of equipment

Safety Information

Caution, Warning and Danger Decals have been placed on the equipment to warn of potentially dangerous situations. Care should be taken to keep this information intact and easy to read at all times. Replace missing or damaged safety signs.

Chore-Time equipment is designed to be installed and operated as safely as possible...however, hazards do exist. Using the equipment for purposes other than specified in this manual may cause personal injury or damage to the equipment.

SIGNAL WORDS

Signal words are used in conjunction with the safety-alert symbol to identify the severity of the warning.

DANGER..... indicates an imminently hazardous situation which, if not avoided, **WILL** result in death or serious injury.

WARNING indicates a potentially hazardous situation which, if not avoided, **COULD** result in death or serious injury.

CAUTION indicates a hazardous situation which, if not avoided, **MAY** result in minor or moderate injury.



DANGER

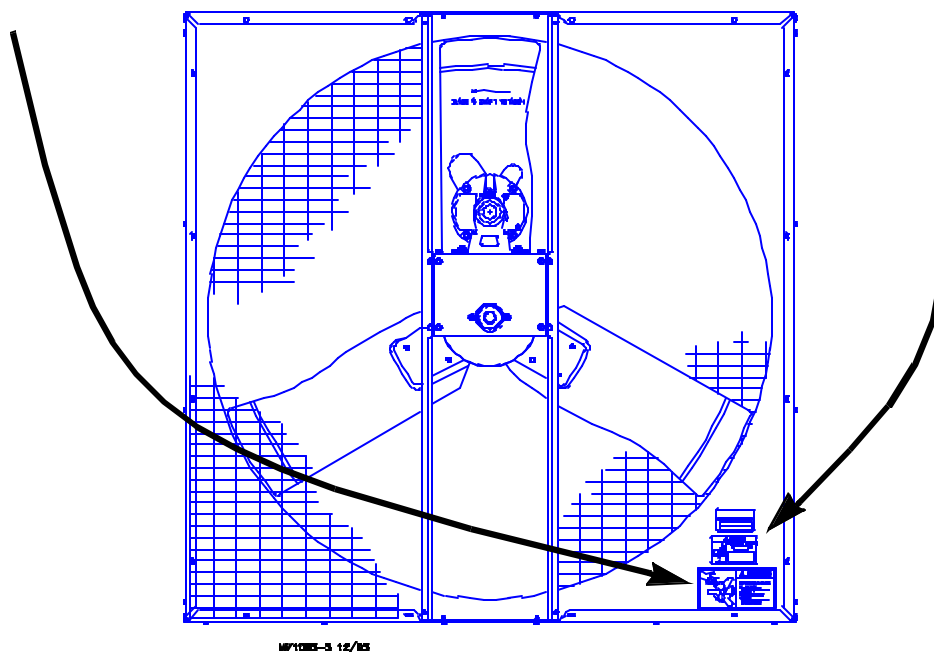
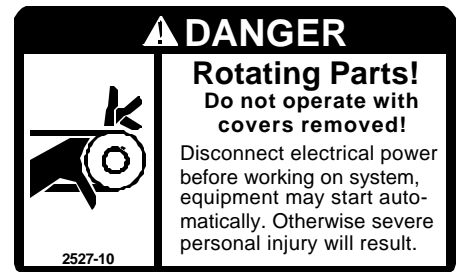


WARNING



CAUTION

This diagram shows the proper location of the safety decals as shipped from the factory. Replace damaged or missing decals. Make sure the decals may be easily seen at all times.



WP1025-3 12/15

Technical Information

Motor Specifications:

Horsepower	- - - - -	1 H.P.
Voltage	- - - - -	208-230/460 V
Hz.	- - - - -	60 Hz. or 50 Hz.
Phase	- - - - -	Single Phase or Three Phase
R.P.M.	- - - - -	1725

Blade:

Size	- - - - -	48" (121.9 cm)
Type	- - - - -	Galvanized Steel

Important

Chore-Time Equipment strongly recommends that a good alarm system should be installed in confinement buildings to warn of power failure and high temperature.

Chore-Time Equipment also recommends that an alternate power source be available for confinement buildings in case of power failure.

Tools needed to install your Fans include:

1. Regular Screwdriver
2. Box-End Wrenches
3. Wire Cutters
4. Wire Strippers
5. Adequate Size and Quantity of Electrical Wire
6. Electric Drill and Drill Bits
7. Another person to help!!

Fan Assembly Procedure

1. Cut Wire Ties securing the Rear Screen to the Front Screen.
2. Loosen and remove the (4) 5/16-18 lock nuts and flat washers securing the Motor to the Motor Mount.
3. Relocate the Motor so that the (4) 5/16-18 Motor Mount Studs pass through the slots in the Motor Base. See Figure 1.

The Motor Sheave should be directly in line with the Fan Blade Sheave.

Secure the Motor to the Motor Mount using the 5/16-18 nuts removed in step 2 above.

4. Route the segmented belt around both Sheaves. Make sure the arrows **printed** on the belt are pointing in the direction of rotation.

HINT: To install the Segmented Belt, position the belt in the Motor Sheave first. Start the belt around the Fan Blade Sheave. Carefully, turn the Fan Blade to “walk” the belt around the Fan Blade Sheave.

Caution: Keep hands away from the Sheave to avoid pinching.

5. **Caution: The Screens MUST be installed to prevent serious injury or death.**

Use the (16) Wire Ties, included in the Hardware Package, to secure the Screens to the Fan Assembly. Use (2) Wire Ties on each side of both Screens.

Note: The rear Screen is cut out to allow for the motor.

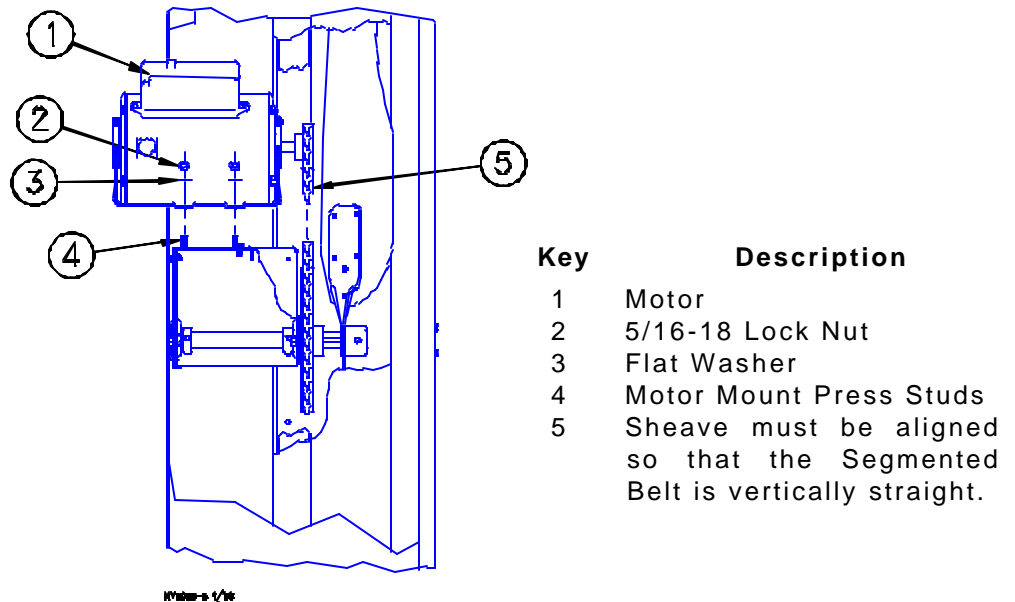


Figure 1. Fan Assembly Procedure (side view).

Fan Installation Procedure

The Fan may be suspended from the ceiling or mounted in an opening in the wall.

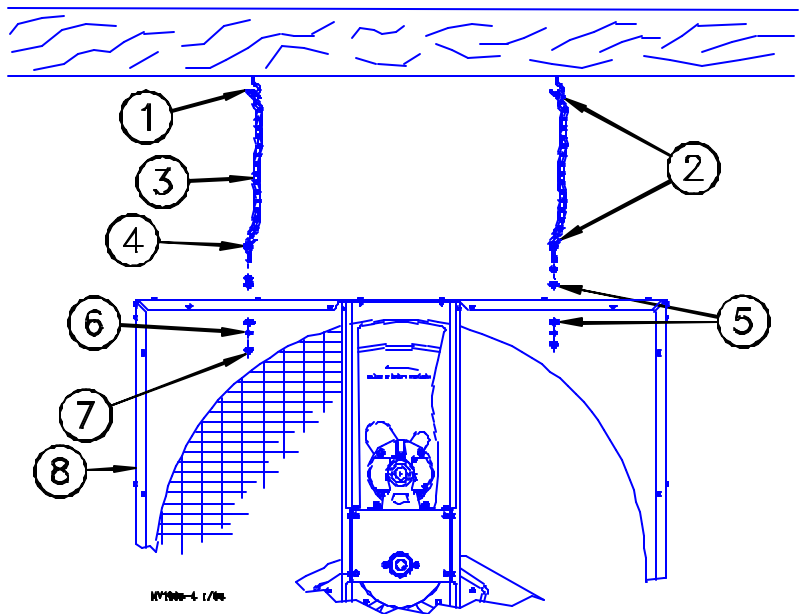
Ceiling Suspension Installations:

Make sure the ceiling or trusses are capable of supporting the weight of the fan if it is to be suspended from the ceiling.

Drill two 3/8" (9.5 mm) holes in the top of the fan assembly, through the housing and shroud. The holes should be located approximately 12" (30 cm) in from both sides, centered in the width of the fan assembly.

Note: A Suspension Kit (Part No. 13123) is available, which includes 20' (6 m) of chain, (2) eye-bolts with nuts, (2) screw hooks, and (4) S-hooks.

Install the Suspension Kit components as shown in Figure 2.

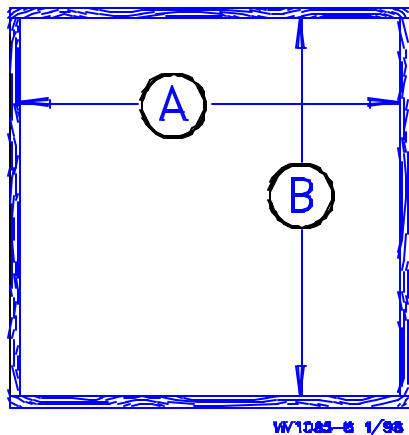


Key	Description	Key	Description
1	Screw Hook	5	Flat Washer
2	S-Hook	6	Lock Washer
3	Chain	7	Hex Nut
4	Eye Bolt	8	48" Panel Fan

Figure 2. Fan Suspension (front view).

Side Wall Installations:

Figure 3 provides the required opening dimensions.



Dimension (minimum)	A	B
48" Fan	52-3/4" (134.0 cm)	52-1/2" (133.4 cm)

Figure 3. Frame Opening (front view).

Build the framing in the wall opening, as shown in Figures 3 & 4.

Insert the Fan Assembly in the framed opening. Secure the Fan Assembly in the opening using wood screws or lag bolts (not provided).

Note: Make sure the fan is recessed in the framing 1/4" (6 mm) to allow the Shutter to operate freely.

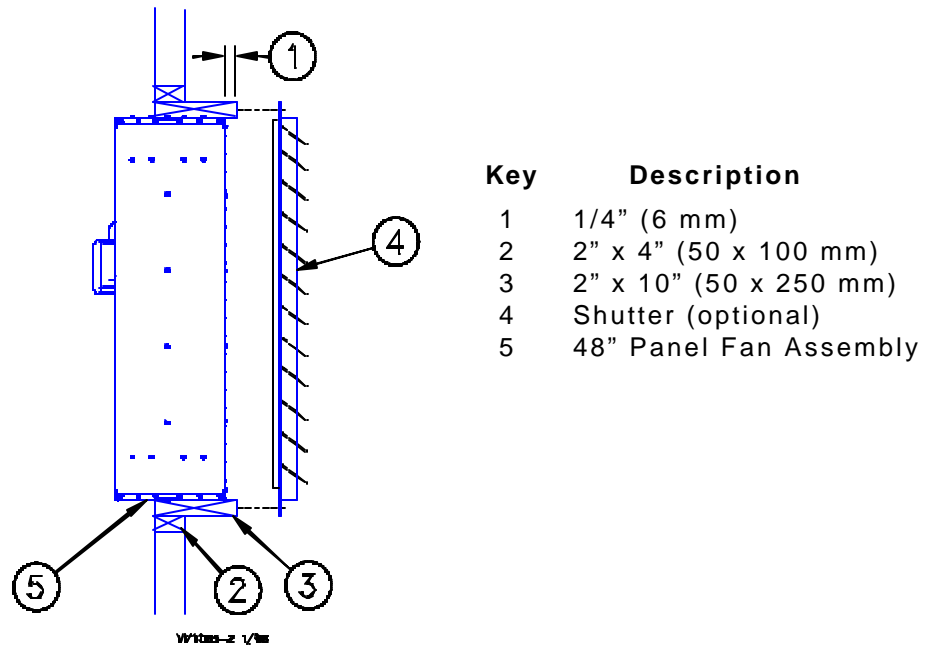


Figure 4. Wall opening requirements (side view).

Fan Wiring Information

Route electrical conduit/wires or SJO cord along the Motor Support Post. Use Wire Ties, included in the Hardware Package, to secure the electrical cord to the Motor Support Post.

Some installations may require an exit hole be drilled in the side of the Shroud. These installations must have electrical wires routed through conduit to protect them from damage.

Note: Make sure the conduit or wires do not interfere with the Fan Blades.

Wire the motor to fan controls according to the instructions packed with the fan controls.

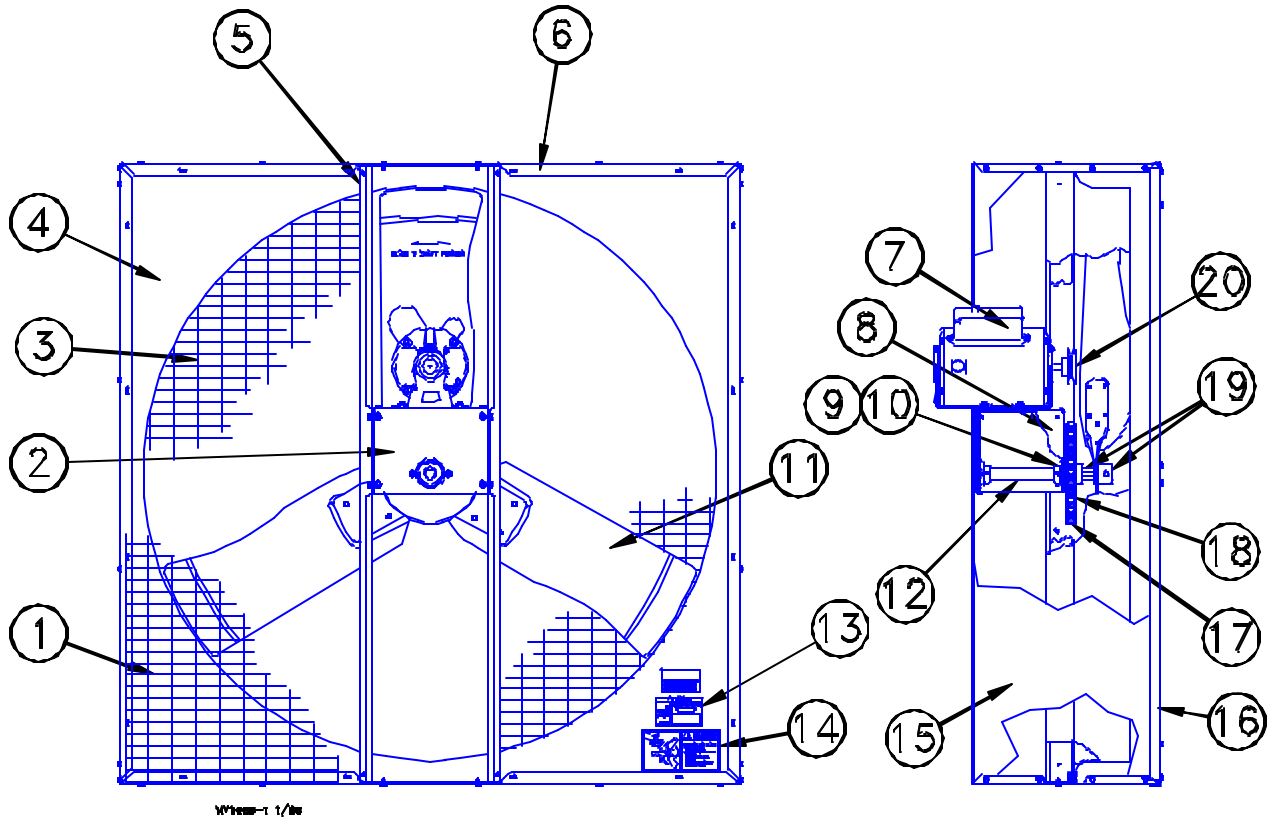
Maintenance

Service and maintenance of fans should be done only by a qualified technician.

DISCONNECT POWER PRIOR TO MAINTAINING OR CLEANING THE FAN!
The fan may start automatically causing serious injury or death.

Keep the fan clean for maximum life and best performance.

48" Belt Drive Galvanized Panel Fan



W/Frame-1 1/8"

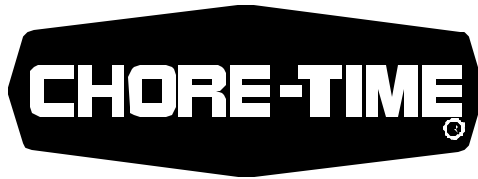
Item	Description	Part No.	Item	Description	Part No.
1	Rear Screen	35542	11	Fan Blade	28140
2	Rear Bearing Mount	35395	12	1" Shaft	34723
3	Front Screen	6023-22	13	Danger Decal	2527-10
4	48" Shroud	35393	14	Danger Decal	2527-50
5	Post	35394	15	Side Panel	35533
6	Top & Bottom Panel	35534	16	Screen Retainer	35397
7	Motor	See Chart	17	Fan Blade Sheave	See Chart
8	Front Bearing Mount	35396	18	Segmented V-Belt	30374
9	Flangette	20191-1	19	1/4" x 1-1/8" Square Key	2419-2
10	Bearing	20191-2	20	Motor Sheave	35333

Fan Assembly Part No.	Motor Specifications and Part Numbers					Motor Sheave Part No.
	H.P.	Hz.	Phase	Voltage	Motor Part No.	
35450-LM	--	--	--	--	--	35333
35450-1	1	60	1	115/208-230	35874	35333
35450-2	1	50	1	115/220-240	35874	8773
35450-4	1	50	3	230/380-415	36142	24697
35687-5	1	60	3	230/380-415	36142	35333

This page intentionally left blank.

This page intentionally left blank.

*THANK-YOU for purchasing a
Chore-Time Fan.*



Made to work.

Built to last.™

Contact your nearby Chore-Time distributor or representative for additional parts and information.

Chore-Time Equipment, A Division of CTB, Inc.

P.O. Box 2000, Milford, Indiana 46542-2000 U.S.A.

Phone: 219-658-4101

Printed in the U.S.A.