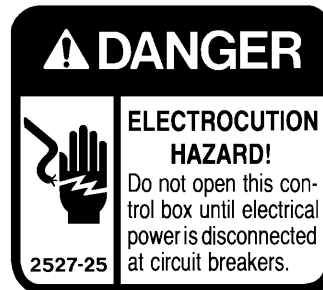
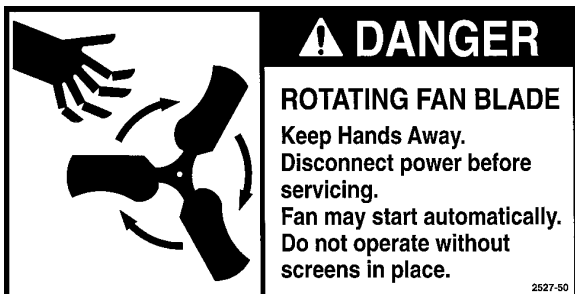


# TURBO 10" Tube Fan



## Installation:

The 10" Tube Fan is designed to be inserted into the belled end of a 10" diameter piece of PVC pipe (not supplied).

Two sizes of the 10" Tube Fan is available. The 10.5" (26.67 cm) Housing may be used with sewer and drain SDR pipe. The 10.2" (25.9 cm) Housing may be used with irrigation pipe.

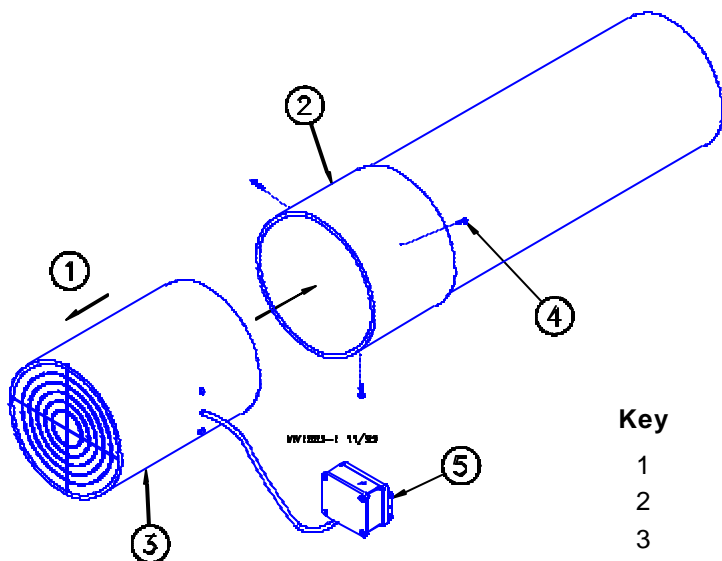
The fan may be secured in the bell using (3) 1/2" machine or self-tapping screws (not supplied).

The Junction Box is secured to the Wire Screen for shipping purposes. Remove the Junction Box from the Wire Screen and secure to the PVC Pipe or other structure.

Wire the fan according to the wiring diagram in this instruction.

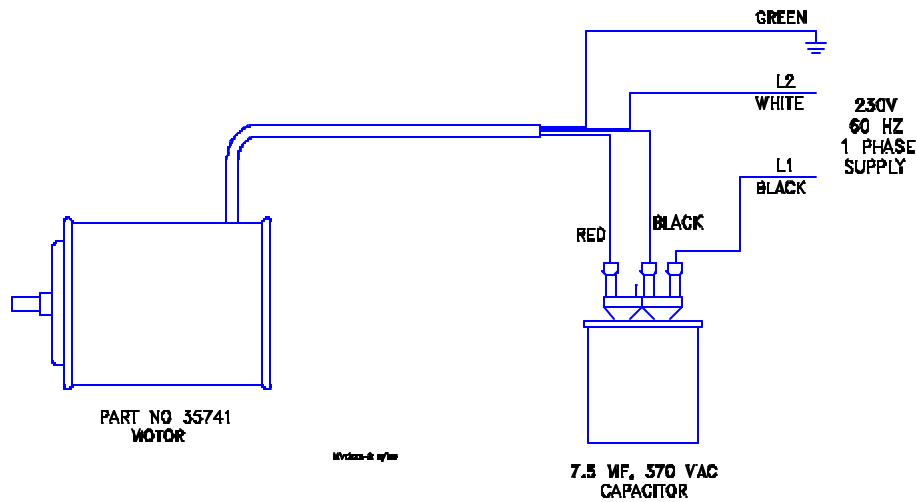
## Fan Motor Specification:

Both versions of the 10" Tube Fan use the same 1/5 H.P., 3450 R.P.M., 230 V., 60 Hz. variable speed motor.

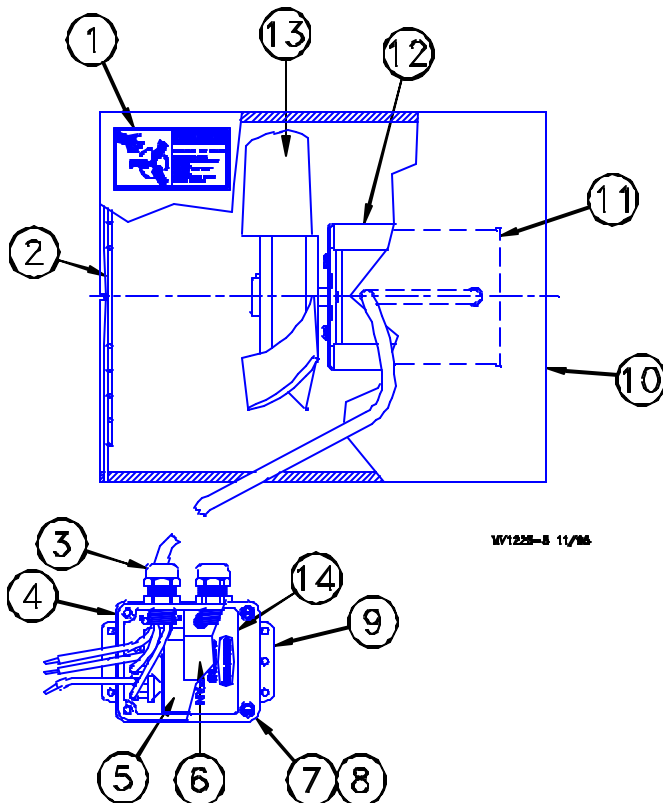


Key	Description
1	Air Flow
2	Belled end of 10" PVC or irrigation Pipe
3	10" Tube Fan
4	1/2" Machine or Self-Tapping Screws
5	Junction Box

## 10" Tube Fan Wiring Diagram



## 10" Tube Fan



Item	Description	Part No.
1	Danger Decal	2527-50
2	10" Fan Screen	35676
3	1/2" Liquid Tight Connector	23779
4	Box	35984
5	Capacitor	35983
6	Capacitor Hold Down Strap	35982
7	Gasket	6777
8	Box Cover	6776
9	Box Mounting Cover	6956
10	10.2" Fan Housing	36948
	10.5" Fan Housing	35739
11	1/5 H.P. Motor	35741
12	10" Fan Motor Mount	35740
13	10" Fan Blade	37056
14	10.5" Tube Fan Decal	2529-439
	10.2" Tube Fan Decal	2529-483
	10.2" O.D. Tube Fan Assembly	37057
	10.5" O.D. Tube Fan Assembly	35738