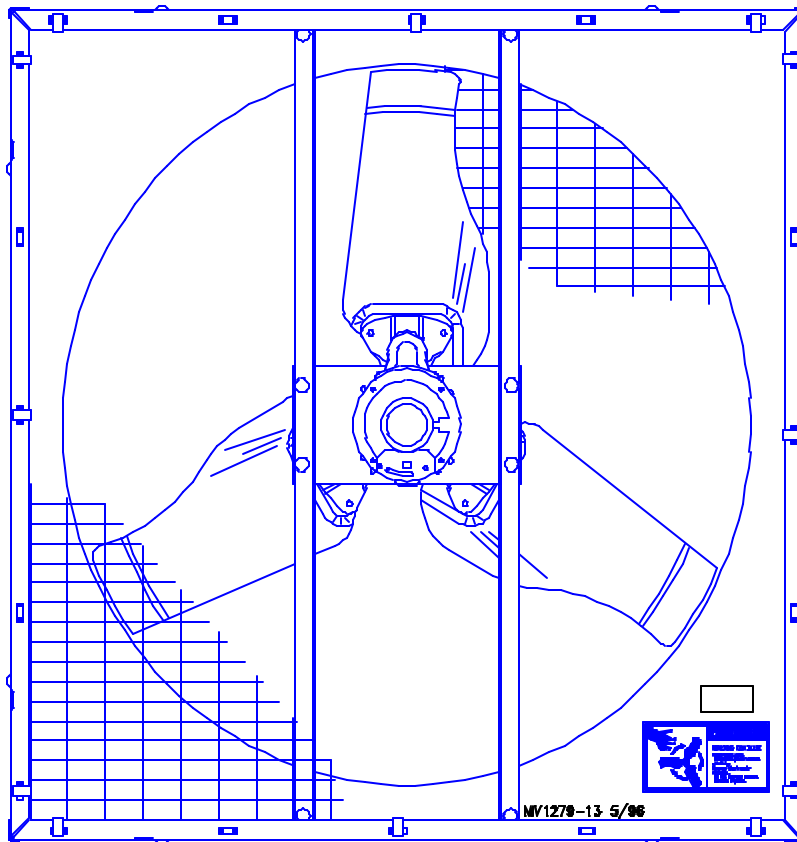


**36" & 48" E-Z Box Fan  
Assembly & Installation Manual  
(Direct Drive • Standard & Deep Box)**



## *Warranty Information*

Chore-Time Equipment warrants each new product manufactured by it to be free from defects in material or workmanship for one year from the date of initial installation by the original purchaser. If such a defect is found by Chore-Time to exist within the one year period, Chore-Time will, at its option, (a) repair or replace such product free of charge, F.O.B. the factory of manufacture, or (b) refund to the original purchaser the original purchase price, in lieu of such repair or replacement.

Additional extended warranties are herewith provided to the original purchaser as follows:

1. TURBO™ and RLX™ Fans, less motors, for three years from date of installation.
- \*2. Poultry feeder pans that become unusable within five years from date of installation. Warranty prorated after three years usage.
3. MEAL-TIME® Hog Feeder pans that become unusable within five years of installation.
4. Rotating centerless augers, excluding applications involving High Moisture Corn (exceeding 18%), for ten years from date of installation. Note: MULTIFLO® and applications involving High Moisture Corn are subject to a one year warranty.
5. Chore-Time manufactured roll-formed steel auger tubes for ten years from date of installation.
- \*6. Laying cages that become unusable within ten years. Warranty prorated after three years usage.
- \*7. ULTRAFLO® Auger and ULTRAFLO® Feed Trough (except ULTRAFLO® Trough Liners) are warranted for a period of five (5) years from date of original purchase against repeated breakage of the auger or wear-through of the feed trough.

Conditions and limitations:

1. The product must be installed and operated in accordance with instructions published by Chore-Time or warranty will be void.
2. Warranty is void if all components of a system are not supplied by Chore-Time.
3. This product must be purchased from and installed by an authorized Chore-Time dealer or certified representative thereof, or the warranty will be void.
4. Malfunctions or failure resulting from misuse, abuse, negligence, alteration, accident, or lack of proper maintenance shall not be considered defects under this warranty.
5. This warranty applies only to systems for the care of poultry and livestock. Other applications in industry or commerce are not covered by this warranty.

Chore-Time shall not be liable for any consequential or special damage which any purchaser may suffer or claim to have suffered as a result of any defect in the product. "Consequential" or "special damages" as used herein include, but are not limited to, lost or damaged products or goods, costs of transportation, lost sales, lost orders, lost income, increased overhead, labor and incidental costs and operational inefficiencies.

THIS WARRANTY CONSTITUTES CHORE-TIME'S ENTIRE AND SOLE WARRANTY AND CHORE-TIME EXPRESSLY DISCLAIMS ANY AND ALL OTHER WARRANTIES, INCLUDING, BUT NOT LIMITED TO, EXPRESS AND IMPLIED WARRANTIES AS TO MERCHANTABILITY, FITNESS FOR PARTICULAR PURPOSE SOLD AND DESCRIPTION OR QUALITY OF THE PRODUCT FURNISHED HEREUNDER.

Any exceptions to this warranty must be authorized in writing by an officer of the company. Chore-Time reserves the right to change models and specifications at any time without notice or obligation to improve previous models.

\*See separate "WARRANTY ADDITION" as to these products

CHORE-TIME EQUIPMENT, A Division of CTB, Inc.  
P.O. Box 2000, Milford, Indiana 46542-2000 U.S.A.

# *Support Information*

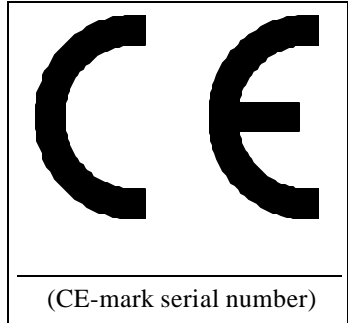
The Chore-Time E-Z Fans are designed to be used as circulating or exhaust fans. The E-Z Fans may be shipped unassembled to save on shipping charges. Using this equipment for any other purpose or in a way not within the operating recommendations specified in this manual will void the warranty and may cause personal injury and/or death.

This manual is designed to provide comprehensive planning, installation, wiring, operation, and parts listing information. The Table of Contents provides a convenient overview of the information in this manual. The Table of Contents also specifies which pages contain information for the sales personal, installer, and consumer (end user).

**IMPORTANT:** CE stands for *certified Europe*. It is a standard which equipment must meet or exceed in order to be sold in Europe. CE provides a benchmark for safety and manufacturing issues. CE is required only on equipment sold in Europe.

Chore-Time Equipment recognizes CE Mark and pursues compliance in all applicable products. Please fill in the CE-Mark serial number in the blank space provided for future reference.

Please include the name and address of your Chore-Time Distributor and installer.



Please fill in the following information about your fans. Keep this manual in a clean, dry place for future reference.

**Distributor's Name** \_\_\_\_\_

**Distributor's Address** \_\_\_\_\_

**Distributor's Phone** \_\_\_\_\_ **Date of Purchase** \_\_\_\_\_

**Installer's Name** \_\_\_\_\_

**Installer's Address** \_\_\_\_\_

**Installer's Phone** \_\_\_\_\_ **Date of Installation** \_\_\_\_\_

**System Specifications** \_\_\_\_\_

## *Table of Contents*

<u>Topic</u>	<u>Page</u>	<u>User*</u>
Warranty Information . . . . .	2	C, D
Support Information . . . . .	3	C, D
Safety Information . . . . .	4	C, I
Technical Information, E-Z Fan Options, Tools Required, Fan Components Required . . . . .	5	C, I
Fan Assembly Procedure . . . . .	6 - 7	I
Slant Wall Housing Assembly Procedure . . . . .	8	I
Fan Installation . . . . .	9 - 11	I
Maintenance . . . . .	11	C
36" Direct Drive E-Z Fan Parts List (Standard Box) . . . . .	12	C, I
36" Direct Drive E-Z Fan Parts List (Deep Box) . . . . .	13	C, I
48" Direct Drive E-Z Fan Parts List (Standard Box) . . . . .	14	C, I
48" Direct Drive E-Z Fan Parts List (Deep Box) . . . . .	15	C, I

\*Legend: C = Customer (end user), D = Distributor (sales), I = Installer of equipment

# Safety Information

Caution, Warning and Danger Decals have been placed on the equipment to warn of potentially dangerous situations. Care should be taken to keep this information intact and easy to read at all times. Replace missing or damaged safety signs.

Chore-Time equipment is designed to be installed and operated as safely as possible...however, hazards do exist. Using the equipment for purposes other than specified in this manual may cause personal injury or damage to the equipment.

## SIGNAL WORDS

Signal words are used in conjunction with the safety-alert symbol to identify the severity of the warning.

**DANGER**..... indicates an imminently hazardous situation which, if not avoided, **WILL** result in death or serious injury.

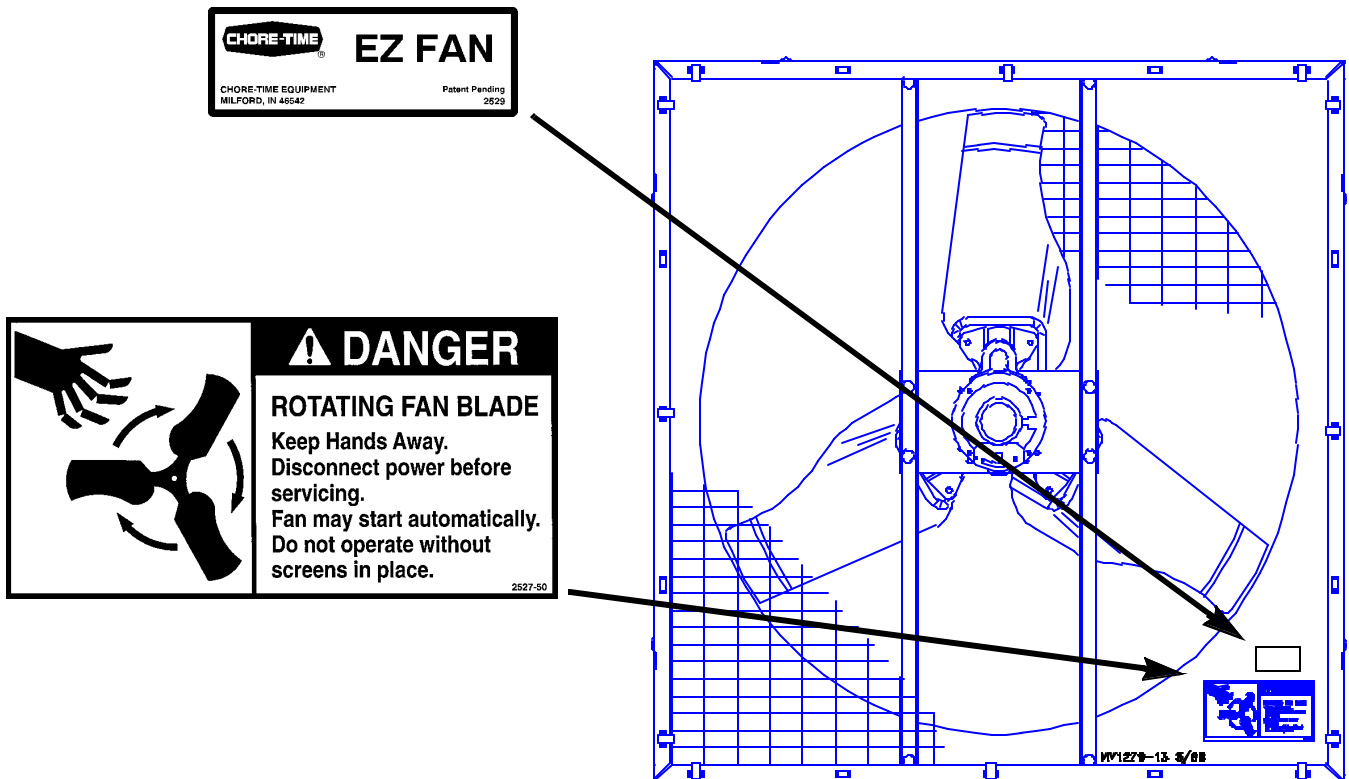
**WARNING** ..... indicates a potentially hazardous situation which, if not avoided, **COULD** result in death or serious injury.

**CAUTION** ..... indicates a hazardous situation which, if not avoided, **MAY** result in minor or moderate injury.



This diagram shows the proper location of the safety decal (DANGER--ROTATING FAN BLADE) as shipped from the factory. Replace damaged or missing decals. Make sure the decals may be easily seen at all times.

If the fan is purchased unassembled, the Chore-Time Fan Assembly Part Number Decal will be packed with this instruction manual. Make sure the decal location shown below is clean and dry. Remove the backing of the decal and affix it to the Fan Shroud.



## *Technical Information*

Motor choices and specifications are provided in the Parts List section of this manual. See pages 12 - 13 for 36" Fan Motor specifications. See pages 14 - 15 for 48" Fan Motor specifications.

### **Important**

Chore-Time Equipment strongly recommends that a good alarm system should be installed in confinement buildings to warn of power failure and high temperature.

Chore-Time Equipment also recommends that an alternate power source be available for confinement buildings in case of power failure.

## *E-Z Fan Options*

The E-Z Fan may be ordered assembled or unassembled (knock-down).

If the Fan is to be suspended from the ceiling, the Slant Wall Kit is not used. If the Fan is to be installed in a side wall, the Slant Wall Kit may be used.

There are a variety of Motors available for the E-Z Fans. See the motor specifications chart in the parts list section of this manual.

The E-Z Fans may be ordered with a standard width Side Panels or Deep Box Side Panels. The standard width Side Panels are 13" (33 cm) or 16" (41 cm), respectively, for the 36" and 48" Fans. The Deep Box Side Panels are 21" (53 cm) wide.

## *Tools Required*

- Regular Screwdriver
- 1/2" Open End Wrench or Socket Wrench with 1/2" Socket
- Adequate Size & Quantity of Electrical Wire
- Hammer
- Wire Cutters & Strippers
- 5/16" Hex Key Wrench

## *Fan Components Required*

Check to make sure you have all the necessary components before beginning the assembly and installation process. If you did not receive a certain component, refer to the parts list section of this manual for the appropriate part number to order.

Description	Quantity		Description	Quantity	
	36"	48"		36"	48"
• Panels	4	4	• Fan Screens	2	2
• Fan Shroud	1	1	• Fan Blade	1	1
• Motor Mount Post	2	2	• Shutter (optional)	1	1
• Motor Support	1	1	• Slant Wall Kit (optional)		
• Motor (unless ordered without)	1	1	Slant Wall Top Panel	1	1
• Hardware Package			Slant Wall Bottom Panel	1	1
5/16-18 x 5/8" Carriage Bolts	16	20	Slant Wall Left Side Panel	1	1
5/16-18 Hex Nuts	16	20	Slant Wall Right Side Panel	1	1
5/16" Lock Washers	16	20	• Slant Wall Hardware Kit (optional)		
Screen Clips	24	24	5/16 x 1-1/4" Lag Screws		12
10-32 Hex Nuts	4	--	Shutter Brackets	4	4
External Lock Washers	4	--	#10-16 x 1-1/2" Screws	4	4
3/8-16 x 3/4" Bolts	--	4	Nylon Washer	4	4
3/8" Lock Washer	--	4	Rubber Grommet	1	1

## Fan Assembly Procedure

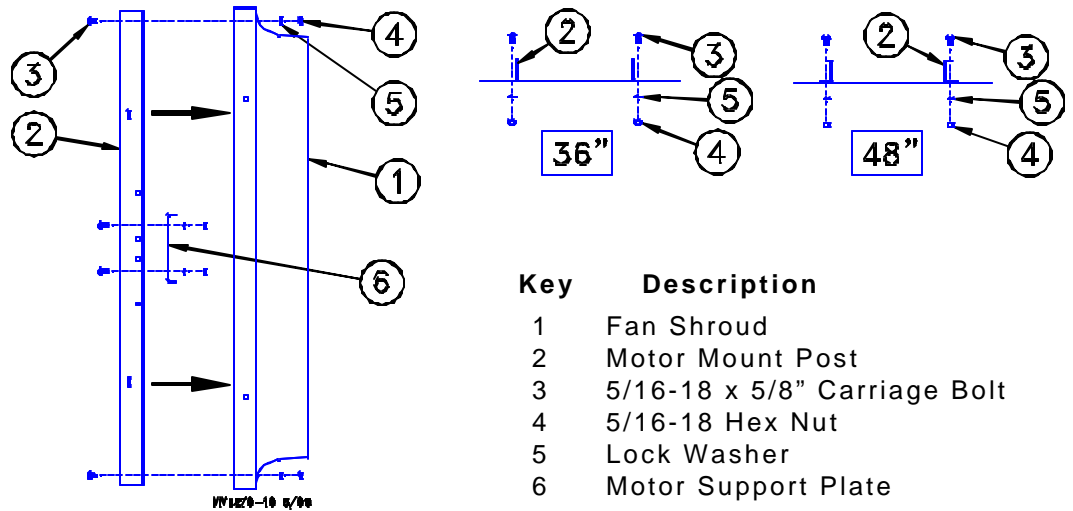
Secure the Motor Mount Post to the Fan Shroud using the 5/16-18 x 5/8" carriage bolts and hex nuts provided in the Hardware Package

The Motor Mount Post must be installed as shown in Figure 1.

Secure the Motor Support, as shown in Figure 1.

**Installation Note:**

Many of the graphics provided reflect the standard Side Panels. Side Panels for the Deep Box Fans look similar, only wider.



**Figure 1. Motor Mount Installation (side view).**

The Side Panels for the Box Fans are identical. The Panels lock together by inserting the tabs of one Panel into the slot in the end of another Panel. See the detail in Figure 2.

Assemble three of the Side Panels together.

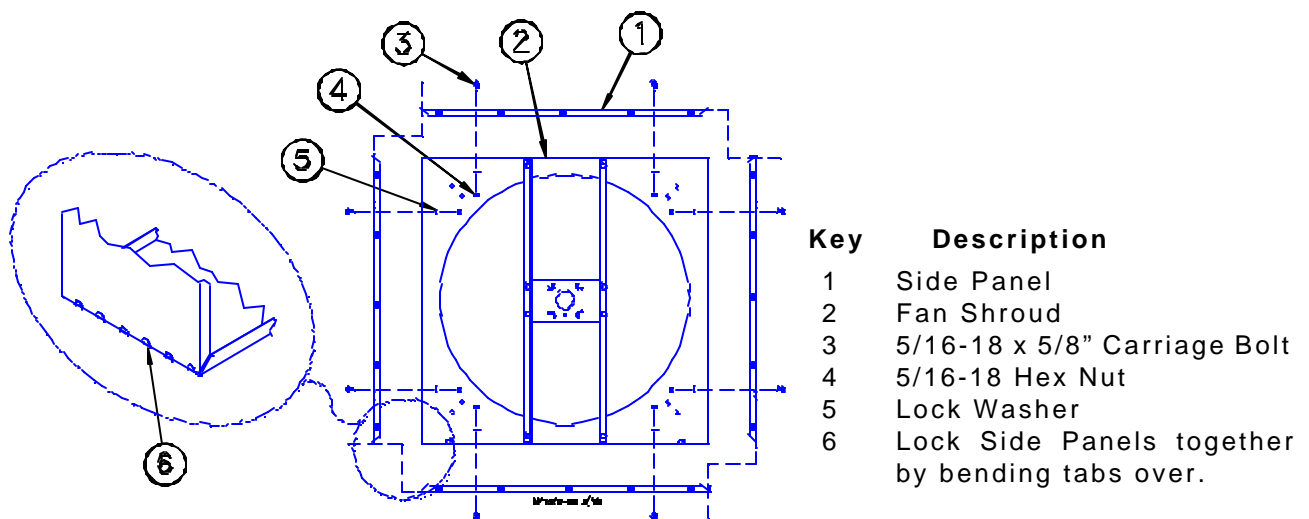
Use a hammer to carefully bend the corner tabs over to secure the Side Panels together.

Slide the Fan Shroud into the center of the Panels.

Install the fourth Side Panel to enclose the Fan Shroud.

Secure the Shroud to the Side Panels using the 5/16-18 hardware provided. See Figure 2.

Note: 36" Fans use (2) bolts, washers, and nuts per side. 48" Fans use (3) bolts, washers, and nuts per side.



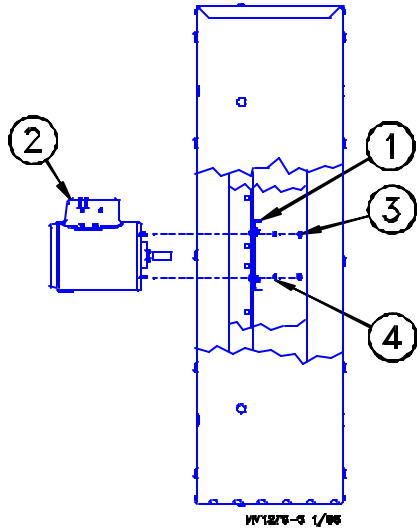
**Figure 2. Motor Mount Installation (top view).**

Secure the Motor to the Motor Support.

The 36" Fans use external lock washers and 10-24 hex nuts provided in the Hardware Package. See Figure 3.

The 48" Fans use lock washers and 3/8" x 3/4" bolts provided in the Hardware Package. See Figure 4.

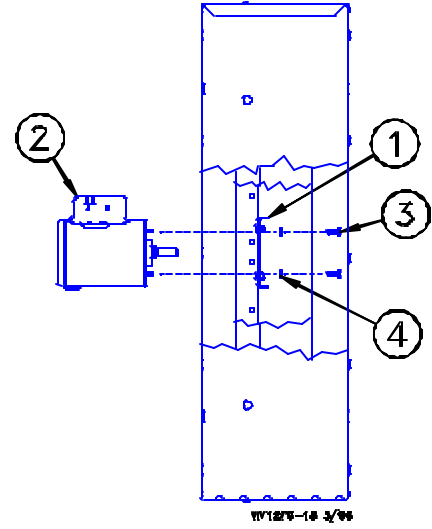
### 36" Fan



Key	Description
1	Motor Support
2	Motor
3	10-24 Hex Nut
4	External Lock Washer

Figure 3. Motor Installation (side view).

### 48" Fan



Key	Description
1	Motor Support
2	Motor
3	3/8" x 3/4" Bolt
4	Lock Washer

Figure 4. Motor Installation (side view).

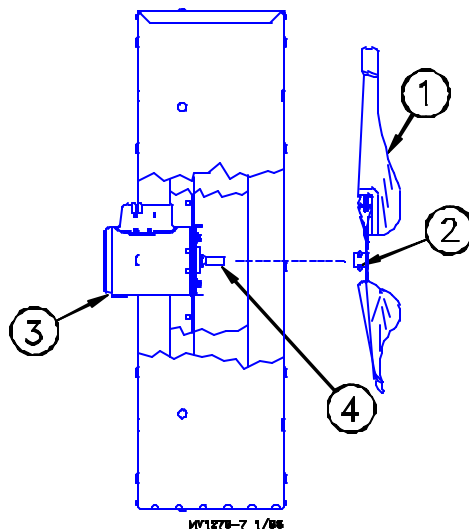
Slide the Blade Assembly onto the motor shaft. The Fan Blade Hub should be flush to the end of the motor shaft. See Figure 5.

Insert key into keyway on motor shaft.

Tighten the set screw(s) using a 5/16" open end wrench (12 point 3/8" socket and ratchet).

Torque the set screws to approximately 130 in./lbs.

See the decal placement instructions on page 4.



Key	Description
1	Blade Assembly
2	Fan Blade Hub
3	Motor
4	Motor Shaft with key/keyway and flat

Figure 5. Blade Assembly Installation (side view).

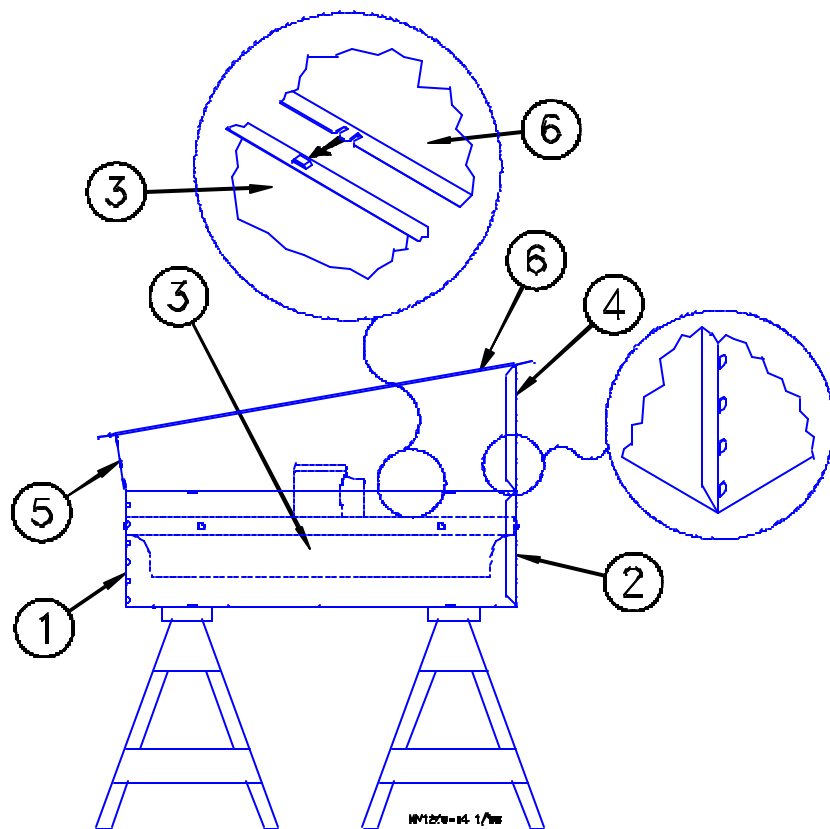
## Slant Wall Housing Assembly Procedure

If the Fan Assembly is to be installed in a side wall, the E-Z Fan Slant Wall Housing Kit may be assembled and installed.

Refer to Figure 6 for assembly information.

1. Lay assembled fan on the work table (with the motor end up).
2. Set the Slant Wall Bottom Panel in place on the Fan Assembly. Secure the Bottom Panel to the Fan Assembly by inserting the tabs into the slots, as shown in the detail in Figure 6.
3. Set the Slant Wall Side Panels in place on the Fan Assembly. The Slant Wall Side Panels are also secured to the Fan Assembly by inserting the tabs into the slots, as shown in the detail in Figure 6.
4. Set the Slant Wall Top Panel in place on the Fan Assembly. Secure the Top Panel to the Fan Assembly by inserting the tabs into the slots, as shown in the detail in Figure 6.
5. The Slant Wall Panels are designed to lock together similar to the Fan Assembly Panels.

Use a hammer to carefully bend the corner tabs over to secure the Slant Wall Panels together.



Key	Description
1	Bottom of Fan Assembly
2	Top of Fan Assembly
3	Fan Side Panel
4	Slant Wall Housing Top Panel
5	Slant Wall Housing Bottom Panel
6	Slant Wall Housing Side Panel

Figure 6. Slant Wall Housing Assembly (side view).

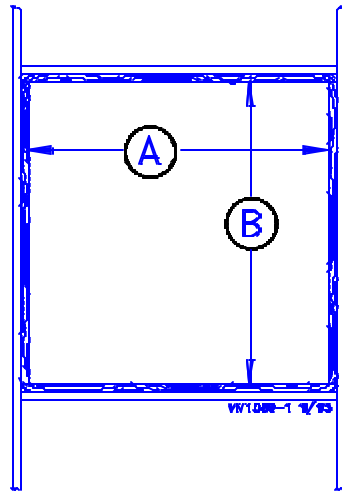


## *Fan Installation*

The E-Z Fan may be installed in a wall or suspended from the ceiling. For installations with the fan suspended from the ceiling, refer to Figure 10.

### **Side Wall Installations:**

Build fan framing out of 2" x 6" (50 x 150 mm) lumber (not supplied). The required wall opening is provided in the chart below. See Figure 7.



Dimension (minimum)	A	B
36" Fan	42-3/4" (1.11 m)	42-3/4" (1.11 m)
36" Fan w/Slant Wall	43-1/2" (110.5 cm)	44-1/2" (113.0 cm)
48" Fan	53" (134.6 cm)	53" (134.6 cm)
48" Fan w/Slant Wall	53-1/2" (135.9 cm)	54" (137.2 cm)

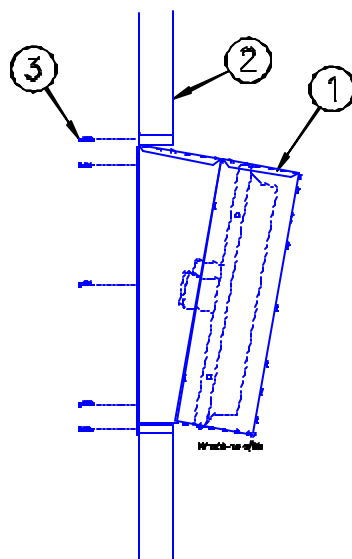
**Figure 7. Framing Diagram (front view).**

**Fan Assembly without Slant Wall Housing:** Insert the Fan Assembly in the framed opening in the side wall. If a Shutter is to be installed, the fan must be recessed in from the outside edge of the framed opening approximately 1/2" (13 mm). Secure the Fan Assembly to the framed opening (hardware not supplied)

Secure the Shutter to the framed opening using screws supplied with the Shutter. Make sure the Shutter can open and close freely.

**Fan Assembly with Slant Wall Housing:** Insert the Fan Assembly and Slant Wall Housing through the framed opening in the side wall. Center the Slant Wall Housing in the framed opening, left to right. Allow the Slant Wall Housing to set on the bottom of the framed opening.

Secure the Slant Wall Housing to the framed opening, using (3) 5/16" x 1-1/4" Lag Screws per side. See Figure 8. Lag Screws are supplied in the Hardware Package.



Key	Description
1	Fan and Slant Wall Housing Assembly
2	Side Wall of Building
3	5/16" x 1-1/4" Lag Screws (12 used)

**Figure 8. Fan installation (front view).**

The Slant Wall Bottom Panel is designed to hold the Shutter. See Figure 9.  
 Install the Shutter Brackets, as shown in Figure 9, to the sides and top of the Slant Wall to secure the Shutter in place.  
 Install the Grommet in the corner of the Shutter, as shown in Figure 9.

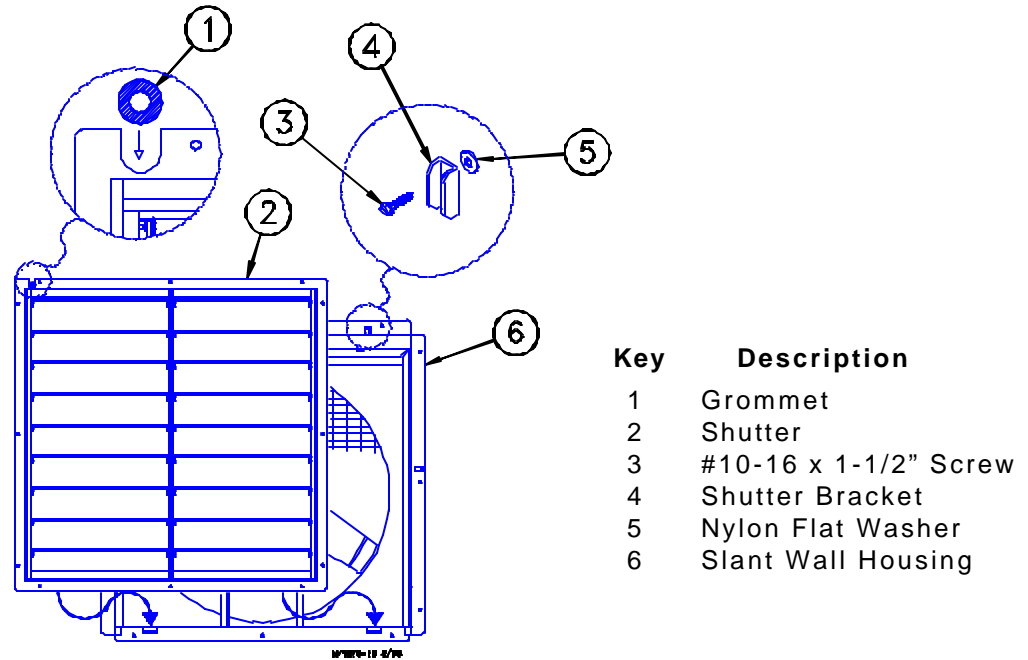


Figure 9. Shutter Installation (front view).

**Suspended Fan Installations:**

Replace Items 9 - 11 from both sides of the top of the fan with the suspension components, Items 1 - 7, as shown in Figure 10. Discard Items 9 - 11.

The 36" E-Z Fan Assembly weighs approximately 95 lbs. (43.1 kg). The ceiling, rafters, or trusses must be capable of bearing the required weight.

The 48" E-Z Fan Assembly weighs approximately 155 lbs. (70.3 kg). The ceiling, rafters, or trusses must be capable of bearing the required weight.

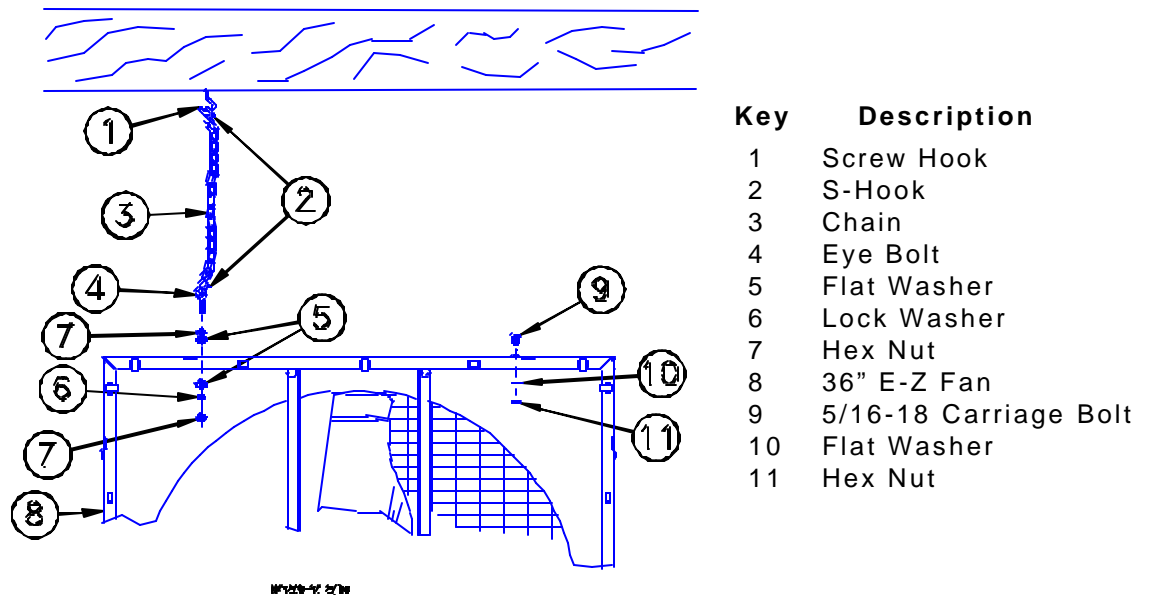


Figure 10. Suspending the Fan (front view).



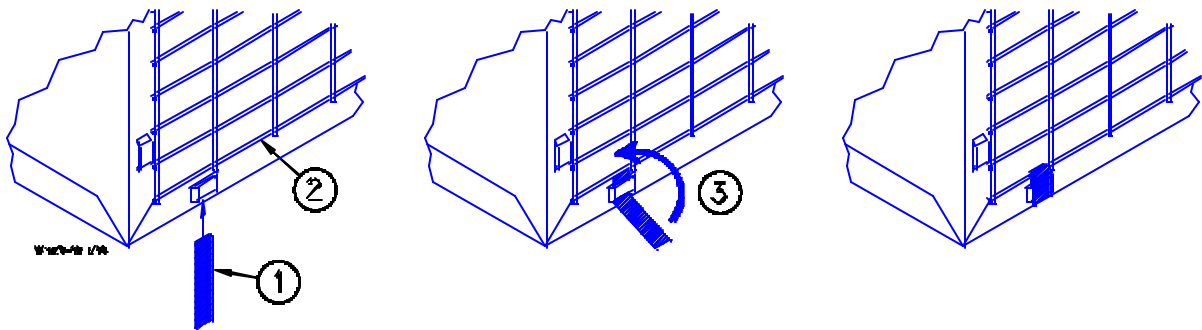
**DANGER: Wire Screen(s) MUST be installed to prevent serious injury or death.**

Position the front Screen over the front of the fan. Note: Make sure the natural bow of the Screen is away from the fan (to avoid blade interference).

Install (3) Wire Clips on each side to secure the Screen to the Panels. See Figure 11.

**Suspended Fan Installations:** The rear Screen is cut out to accommodate the motor. Position the rear Screen over the back of the fan. Install (3) Wire Clips on each side to secure the Screen to the Panels. See Figure 11.

**Slant Wall Fan Installations:** The Shutter previously installed is used in place of the Rear Screen.



Key	Description
1	Wire Clip
2	Wire Screen
3	Wrap the Wire Clip around the Screen Wire. Crimp to secure.

**Figure 11. Screen Installation.**

If the Slant Wall Kit is used:

Use the (3) Cable Ties, not included, to route the motor cord along the Motor Mount Post.

If a Shutter was installed, route the motor cord through the Rubber Grommet in the upper left corner.

If a Shutter was not installed, the motor cord will be routed through the Rear Screen.

Some installations may require an exit hole for the motor cord to be drilled in the side of the Shroud. These installations must have electrical wires routed through conduit to protect them from damage.

Note: Make sure the conduit or wires do not interfere with the Fan Blades or Shutter operation.

Wire the motor to fan controls according to the instructions packed with the fan controls.

### **MAINTENANCE:**

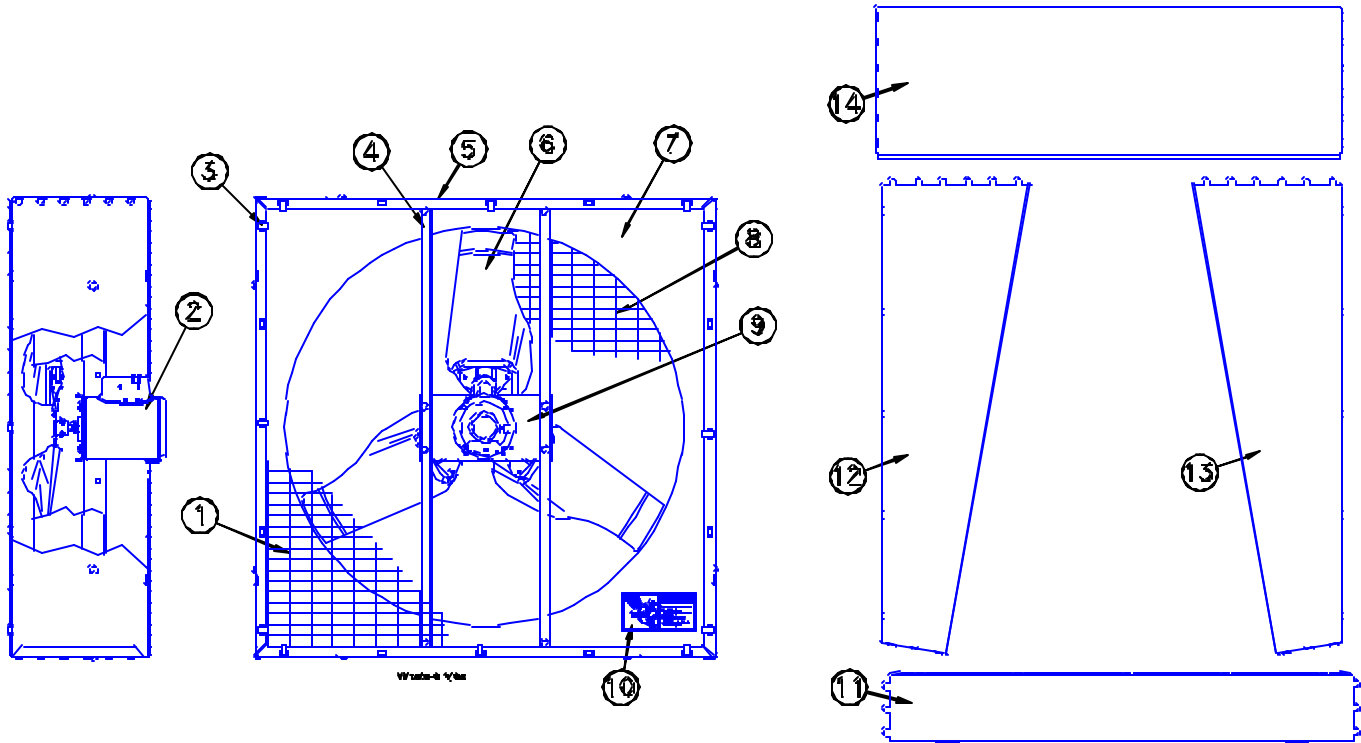
Service and maintenance of fans should be done only by a qualified technician.

**DISCONNECT POWER PRIOR TO MAINTAINING OR CLEANING THE FAN!** The fan may start automatically causing serious injury or death.

Keep the fan clean for maximum life and best performance.



## 36" Direct Drive E-Z Fan Parts List (Standard Box)



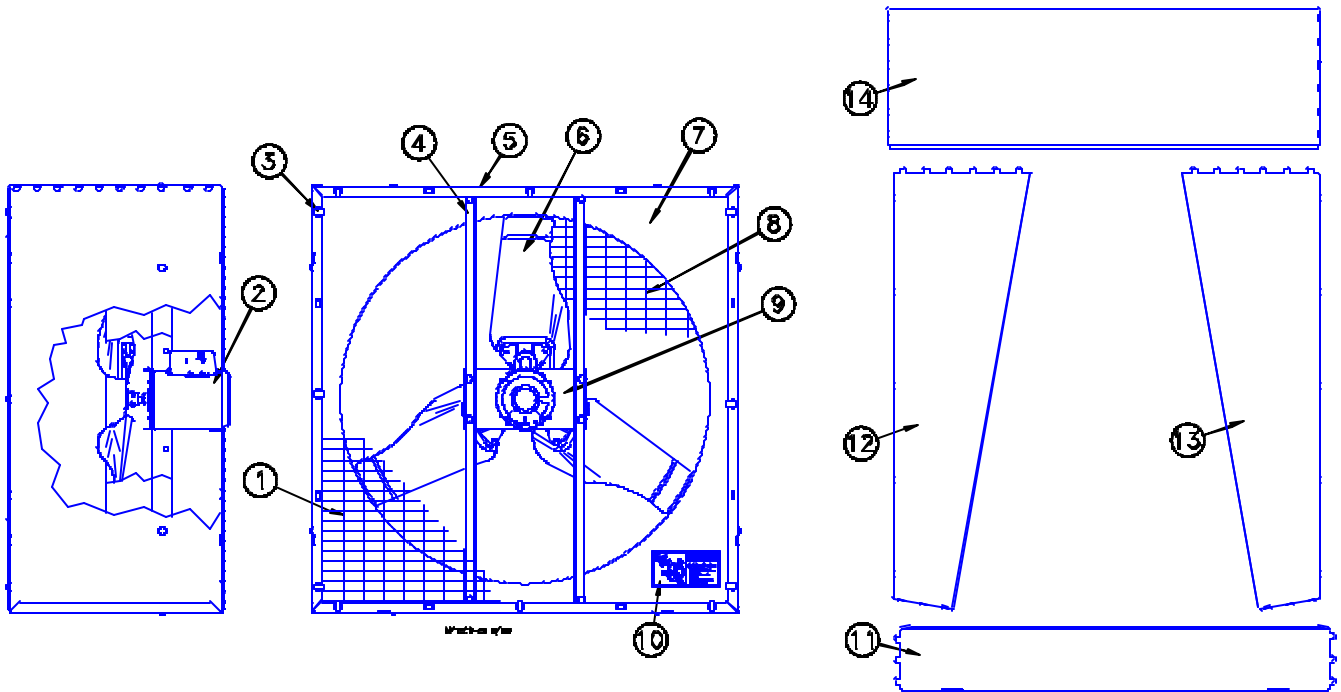
Item	Description	Part No.	Item	Description	Part No.
1	Rear Screen	36629	--*	Shutter Clip	36729
2	Motor	See chart	--*	5/16 x 1-1/4" Lag Screws	7888
3	Wire Clip	36007	--*	Nylon Washers	4856
4	Motor Mount Post	37209	--*	#10-16 x 1-1/2" Screws	36703
5	Fan Panel	36006	--*	Grommet (for Shutter)	7256
6	Fan Blade Assembly	27139	--**	Shutter	37489
7	Shroud	5538			
8	Front Screen	29046			
9	Fan Motor Support	36564			
10	Danger Decal	2527-50			
11*	Slant Wall Bottom Panel	36011			
12*	Slant Wall Side Panel (L.H.)	36010-1			
13*	Slant Wall Side Panel (R.H.)	36010-2			
14*	Slant Wall Top Panel	36008			

\*These components may be ordered as a Slant Wall Kit under Chore-Time Part No. 37132.

\*\*The Shutter must be ordered separately.

36" Direct Drive E-Z Fan Assembly (assembled)	36" Direct Drive E-Z Fan Kit (unassembled)	Motor Specifications and Part Numbers for 36" Fans				
		H.P.	Hz.	Phase	Voltage	Motor Part No.
37124-3600	37125-3600	--	--	--	--	--
37124-3610	37125-3610	1/2	60	1	115	27536
37124-3620	37125-3620	1/2	60	1	208-230	28936
37124-3640	37125-3640	1/2	60	3	208-230/460	27536-3PH

## 36" Direct Drive E-Z Fan Parts List (Deep Box)



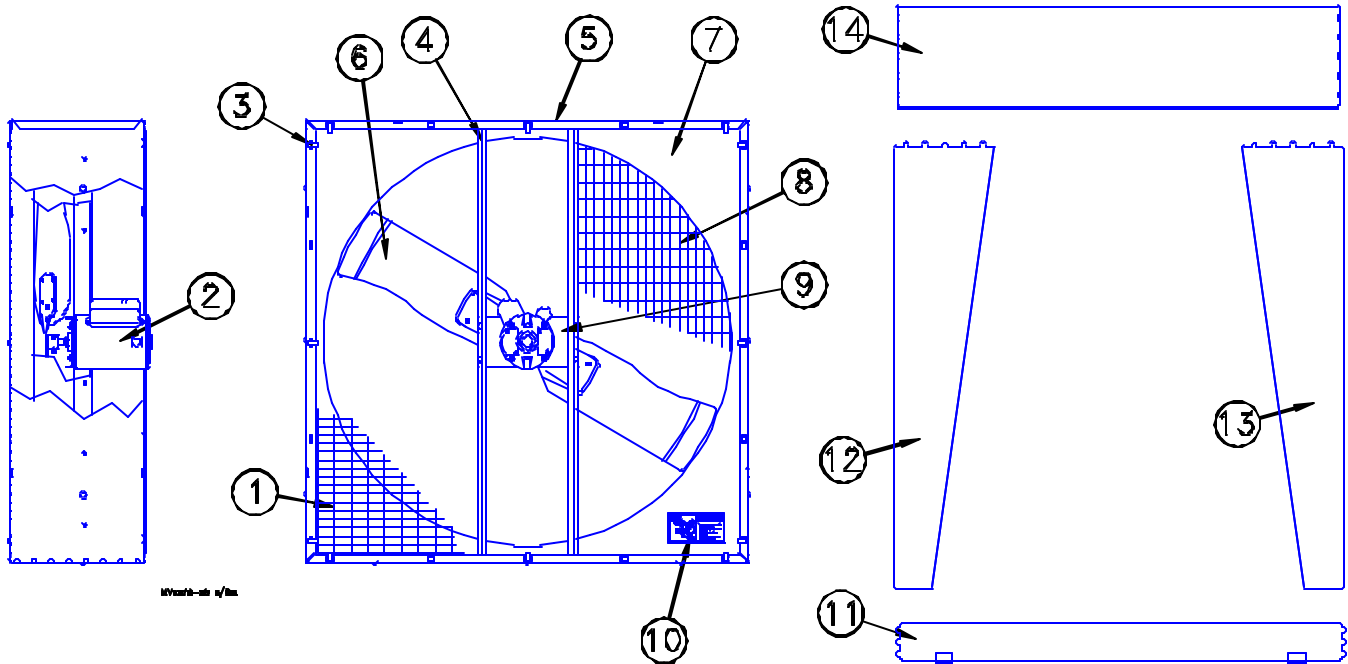
Item	Description	Part No.	Item	Description	Part No.
1	Rear Screen	36629	--*	Shutter Clip	36729
2	Motor	See chart	--*	5/16 x 1-1/4" Lag Screws	7888
3	Wire Clip	36007	--*	Nylon Washers	4856
4	Motor Mount Post	37209	--*	#10-16 x 1-1/2" Screws	36703
5	Fan Panel	37556	--*	Grommet (for Shutter)	7256
6	Fan Blade Assembly	27139	--**	Shutter	37490
7	Shroud	5538			
8	Front Screen	29046			
9	Fan Motor Support	36564			
10	Danger Decal	2527-50			
11*	Slant Wall Bottom Panel	36011			
12*	Slant Wall Side Panel (L.H.)	36010-1			
13*	Slant Wall Side Panel (R.H.)	36010-2			
14*	Slant Wall Top Panel	36008			

\*These components may be ordered as a Slant Wall Kit under Chore-Time Part No. 37132.

\*\*The Shutter must be ordered separately.

36" Direct Drive E-Z Fan Assembly (assembled)	36" Direct Drive E-Z Fan Kit (unassembled)	Motor Specifications and Part Numbers for 36" Fans				
		H.P.	Hz.	Phase	Voltage	Motor Part No.
<b>38109-3600</b>	--	--	--	--	--	--
<b>38109-3610</b>	<b>38110-3610</b>	1/2	60	1	115	27536
<b>38109-3620</b>	<b>38110-3620</b>	1/2	60	1	208-230	28936
<b>38109-3640</b>	<b>38110-3640</b>	1/2	60	3	208-230/460	27536-3PH

## *48" Direct Drive E-Z Fan Parts List (Standard Box)*



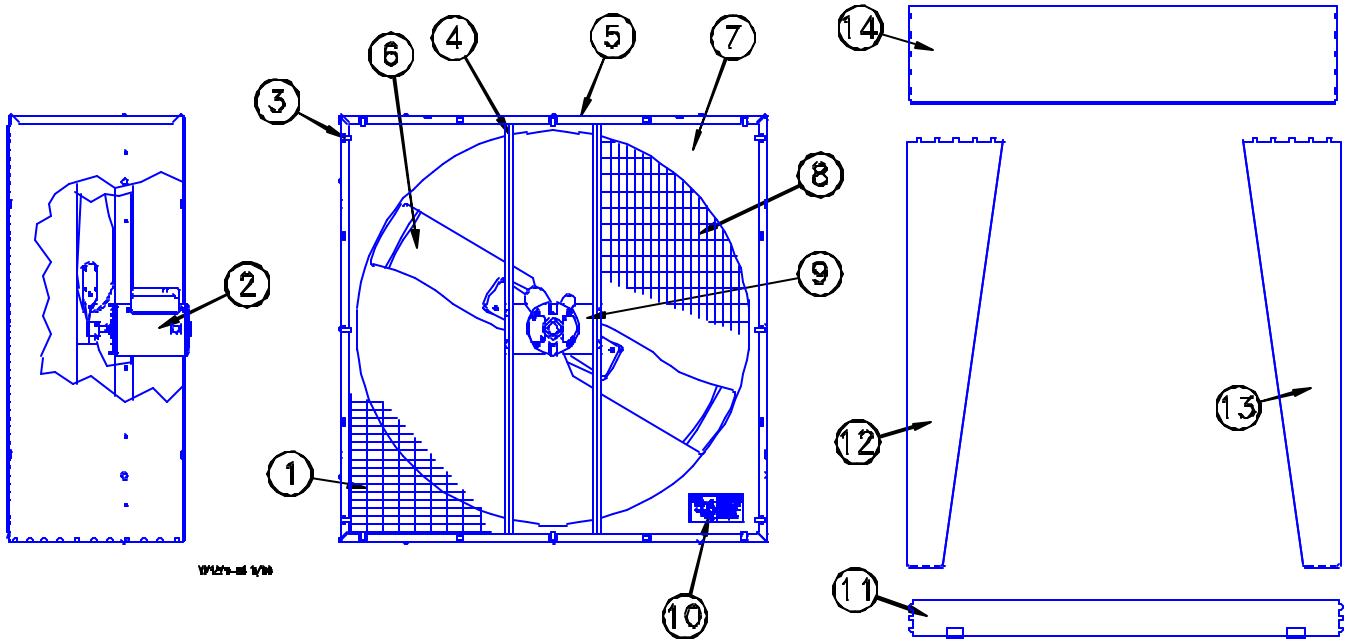
Item	Description	Part No.	Item	Description	Part No.
1	Rear Screen	38054	--*	Shutter Clip	36729
2	Motor	See chart	--*	5/16 x 1-1/4" Lag Screws	7888
3	Wire Clip	36007	--*	Nylon Washers	4856
4	Motor Mount Post	36761	--*	#10-16 x 1-1/2" Screws	36703
5	Fan Panel	36547	--*	Grommet (for Shutter)	7256
6	Fan Blade Assembly	37727	--**	Shutter	37490
7	Shroud	36546			
8	Front Screen	36813			
9	Fan Motor Support	37941			
10	Danger Decal	2527-50			
11*	Slant Wall Bottom Panel	36772			
12*	Slant Wall Left Panel	36773-1			
13*	Slant Wall Right Panel	36773-2			
14*	Slant Wall Top Panel	36774			

\*These components may be ordered as a Slant Wall Kit under Chore-Time Part No. 37272.

\*\*The Shutter must be ordered separately.

48" Direct Drive E-Z Fan Assembly (assembled)	48" Direct Drive E-Z Fan Kit (unassembled)	Motor Specifications and Part Numbers for 48" Fans				
		H.P.	Hz.	Phase	Voltage	Motor Part No.
<b>37898-4820</b>	<b>37963-4820</b>	1	60	1	230	37726

## 48" Direct Drive E-Z Fan Parts List (Deep Box)



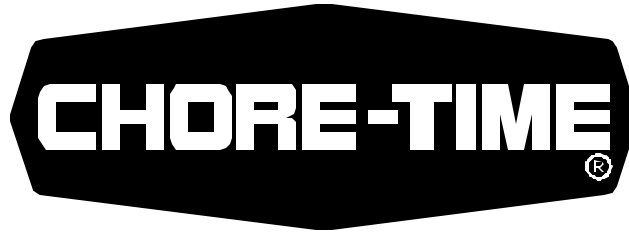
Item	Description	Part No.	Item	Description	Part No.
1	Rear Screen	38054	--*	Shutter Clip	36729
2	Motor	See chart	--*	5/16 x 1-1/4" Lag Screws	7888
3	Wire Clip	36007	--*	Nylon Washers	4856
4	Motor Mount Post	36761	--*	#10-16 x 1-1/2" Screws	36703
5	Fan Panel	37585	--*	Grommet (for Shutter)	7256
6	Fan Blade Assembly	37727	--**	Shutter	37490
7	Shroud	36546			
8	Front Screen	36813			
9	Fan Motor Support	37941			
10	Danger Decal	2527-50			
11*	Slant Wall Bottom Panel	36772			
12*	Slant Wall Left Panel	36773-1			
13*	Slant Wall Right Panel	36773-2			
14*	Slant Wall Top Panel	36774			

\*These components may be ordered as a Slant Wall Kit under Chore-Time Part No. 37272.

\*\*The Shutter must be ordered separately.

48" Direct Drive E-Z Fan Assembly (assembled)	48" Direct Drive E-Z Fan Kit (unassembled)	Motor Specifications and Part Numbers for 48" Fans				
		H.P.	Hz.	Phase	Voltage	Motor Part No.
37959-4820	37962-4820	1	60	1	230	37726

***THANK-YOU for purchasing a Chore-Time  
36" or 48" Direct Drive E-Z Fan.***



Made to work.

Built to last.™

### **Revisions to this Manual**

**Page No**

**Description of Change**

- |    |  |
|----|--|
| -- | Updated to reflect latest components in parts lists.         |
| -- | Updated manual to include information for 48" Fan.           |
| -- | Added Deep Box Fan installation information and parts lists. |

Contact your nearby Chore-Time distributor or representative for additional parts and information.

Chore-Time Equipment, A Division of CTB, Inc.  
P.O. Box 2000, Milford, Indiana 46542-2000 U.S.A.  
Phone: 219-658-4101

Printed in the U.S.A.