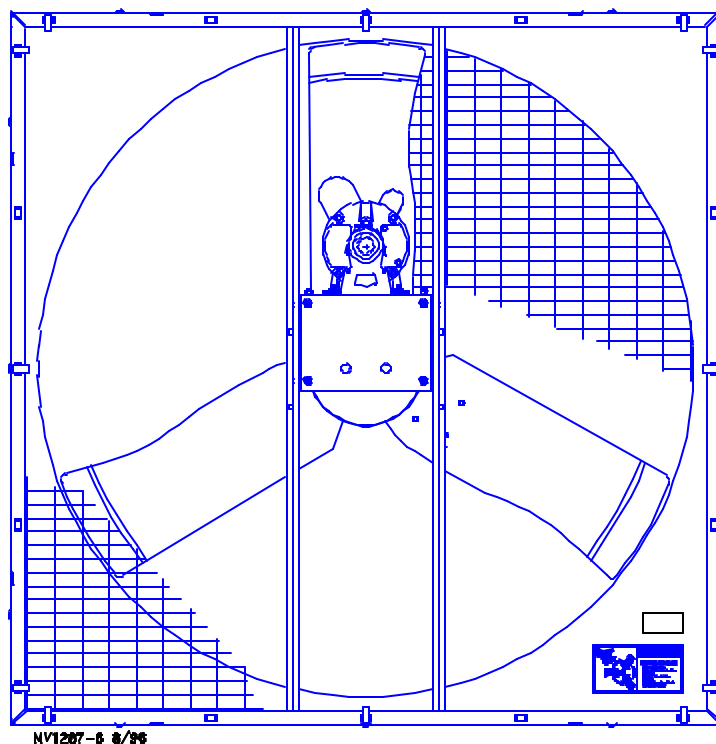


**36" & 48" E-Z Fan**  
**Assembly & Installation Manual**  
**(Belt Drive • Standard & Deep Box)**



## *Warranty Information*

Chore-Time Equipment warrants each new product manufactured by it to be free from defects in material or workmanship for one year from the date of initial installation by the original purchaser. If such a defect is found by Chore-Time to exist within the one year period, Chore-Time will, at its option, (a) repair or replace such product free of charge, F.O.B. the factory of manufacture, or (b) refund to the original purchaser the original purchase price, in lieu of such repair or replacement.

Additional extended warranties are herewith provided to the original purchaser as follows:

1. TURBO™ and RLX™ Fans, less motors, for three years from date of installation.
- \*2. Poultry feeder pans that become unusable within five years from date of installation. Warranty prorated after three years usage.
3. MEAL-TIME® Hog Feeder pans that become unusable within five years of installation.
4. Rotating centerless augers, excluding applications involving High Moisture Corn (exceeding 18%), for ten years from date of installation. Note: MULTIFLO® and applications involving High Moisture Corn are subject to a one year warranty.
5. Chore-Time manufactured roll-formed steel auger tubes for ten years from date of installation.
- \*6. Laying cages that become unusable within ten years. Warranty prorated after three years usage.
- \*7. ULTRAFLO® Auger and ULTRAFLO® Feed Trough (except ULTRAFLO® Trough Liners) are warranted for a period of five (5) years from date of original purchase against repeated breakage of the auger or wear-through of the feed trough.

Conditions and limitations:

1. The product must be installed and operated in accordance with instructions published by Chore-Time or warranty will be void.
2. Warranty is void if all components of a system are not supplied by Chore-Time.
3. This product must be purchased from and installed by an authorized Chore-Time dealer or certified representative thereof, or the warranty will be void.
4. Malfunctions or failure resulting from misuse, abuse, negligence, alteration, accident, or lack of proper maintenance shall not be considered defects under this warranty.
5. This warranty applies only to systems for the care of poultry and livestock. Other applications in industry or commerce are not covered by this warranty.

Chore-Time shall not be liable for any consequential or special damage which any purchaser may suffer or claim to have suffered as a result of any defect in the product. "Consequential" or "special damages" as used herein include, but are not limited to, lost or damaged products or goods, costs of transportation, lost sales, lost orders, lost income, increased overhead, labor and incidental costs and operational inefficiencies.

THIS WARRANTY CONSTITUTES CHORE-TIME'S ENTIRE AND SOLE WARRANTY AND CHORE-TIME EXPRESSLY DISCLAIMS ANY AND ALL OTHER WARRANTIES, INCLUDING, BUT NOT LIMITED TO, EXPRESS AND IMPLIED WARRANTIES AS TO MERCHANTABILITY, FITNESS FOR PARTICULAR PURPOSE SOLD AND DESCRIPTION OR QUALITY OF THE PRODUCT FURNISHED HEREUNDER.

Any exceptions to this warranty must be authorized in writing by an officer of the company. Chore-Time reserves the right to change models and specifications at any time without notice or obligation to improve previous models.

\*See separate "WARRANTY ADDITION" as to these products

CHORE-TIME EQUIPMENT, A Division of CTB, Inc.  
P.O. Box 2000, Milford, Indiana 46542-2000 U.S.A.

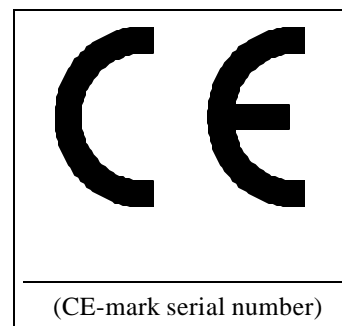
## *Support Information*

The Chore-Time E-Z Fans are designed to be used as circulating or exhaust fans. The E-Z Fans may be shipped unassembled to save on shipping charges. Using this equipment for any other purpose or in a way not within the operating recommendations specified in this manual will void the warranty and may cause personal injury and/or death.

This manual is designed to provide comprehensive planning, installation, wiring, operation, and parts listing information. The Table of Contents provides a convenient overview of the information in this manual. The Table of Contents also specifies which pages contain information for the sales personnel, installer, and consumer (end user).

**IMPORTANT:** CE stands for *certified Europe*. It is a standard which equipment must meet or exceed in order to be sold in Europe. CE provides a benchmark for safety and manufacturing issues. CE is required only on equipment sold in Europe.

Chore-Time Equipment recognizes CE Mark and pursues compliance in all applicable products. Fill in the CE-Mark serial number in the blank space provided for future reference.



Please fill in the following information about your fans. Keep this manual in a clean, dry place for future reference.

**Distributor's Name** \_\_\_\_\_

**Distributor's Address** \_\_\_\_\_

**Distributor's Phone** \_\_\_\_\_ **Date of Purchase** \_\_\_\_\_

**Installer's Name** \_\_\_\_\_

**Installer's Address** \_\_\_\_\_

**Installer's Phone** \_\_\_\_\_ **Date of Installation** \_\_\_\_\_

**System Specifications** \_\_\_\_\_

## *Table of Contents*

<u>Topic</u>	<u>Page</u>	<u>User*</u>
Warranty Information .....	2	C, D
Support Information .....	3	C, D
Safety Information .....	4	C, I
Technical Info., E-Z Fan Options, Tools Required, Fan Components Required .....	5	C, I
Fan Assembly Procedure .....	6 - 8	I
Slant Wall Housing Assembly Procedure .....	9	I
Fan Installation .....	10 - 12	I
Maintenance .....	12	C
36" Belt Drive E-Z Fan Parts List (Standard Box) .....	13	C, I
48" Belt Drive E-Z Fan Parts List (Standard Box) .....	14	C, I
48" Belt Drive E-Z Fan Parts List (Deep Box) .....	15	C, I

\*Legend: C = Customer (end user), D = Distributor (sales), I = Installer of equipment

# Safety Information

Caution, Warning and Danger Decals have been placed on the equipment to warn of potentially dangerous situations. Care should be taken to keep this information intact and easy to read at all times. Replace missing or damaged safety signs.

Chore-Time equipment is designed to be installed and operated as safely as possible...however, hazards do exist. Using the equipment for purposes other than specified in this manual may cause personal injury or damage to the equipment.

## SIGNAL WORDS

Signal words are used in conjunction with the safety-alert symbol to identify the severity of the warning.

**DANGER**..... indicates an imminently hazardous situation which, if not avoided, **WILL** result in death or serious injury.

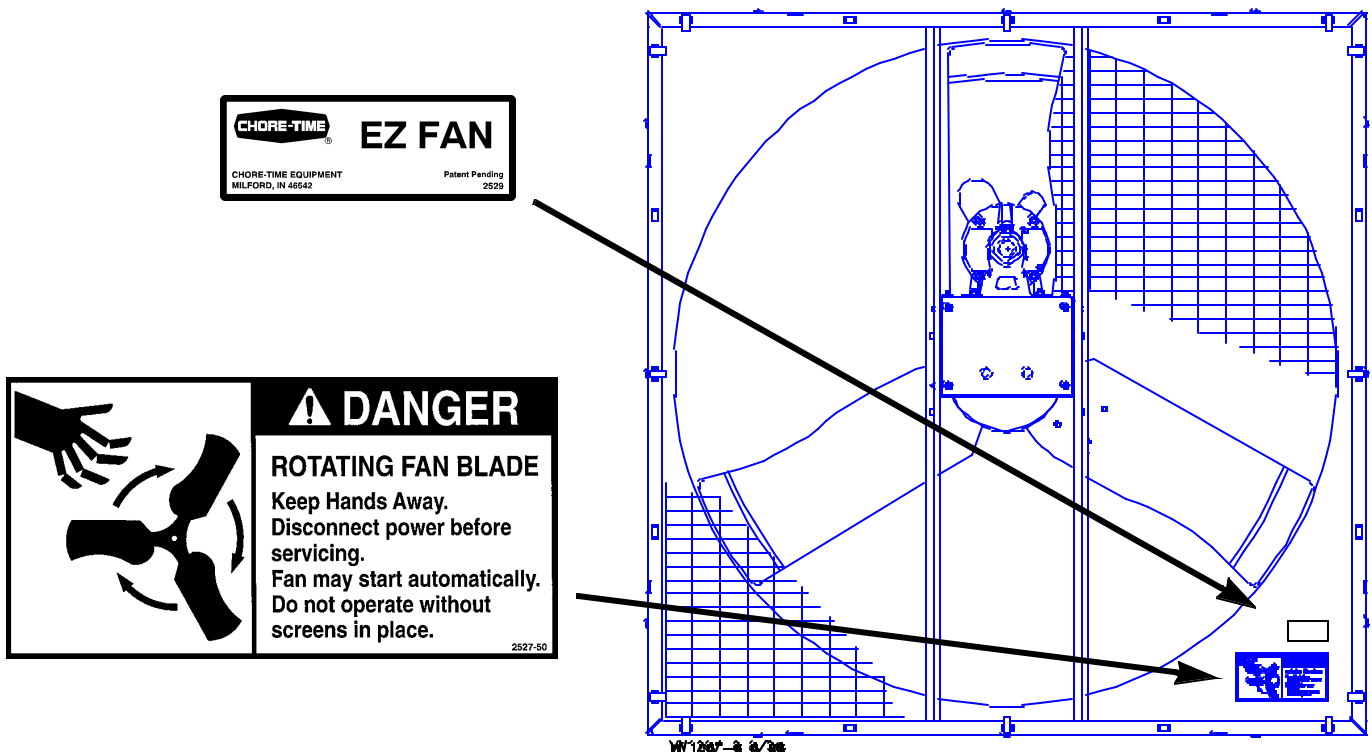
**WARNING** ..... indicates a potentially hazardous situation which, if not avoided, **COULD** result in death or serious injury.

**CAUTION** ..... indicates a hazardous situation which, if not avoided, **MAY** result in minor or moderate injury.



This diagram shows the proper location of the safety decal (DANGER--ROTATING FAN BLADE) as shipped from the factory. Replace damaged or missing decals. Make sure the decals may be easily seen at all times.

If the fan is purchased unassembled, the Chore-Time Fan Assembly Part Number Decal will be packed with this instruction manual. Make sure the decal location shown below is clean and dry. Remove the backing of the decal and affix it to the Fan Shroud.



## *Technical Information*

Motor choices and specifications are provided in the Parts List section of this manual. See page 13 for 36" Fan Motor specifications. See pages 14 - 15 for 48" Fan Motor specifications.

### **Important**

Chore-Time Equipment strongly recommends that a good alarm system should be installed in confinement buildings to warn of power failure and high temperature.

Chore-Time Equipment also recommends that an alternate power source be available for confinement buildings in case of power failure.

## *E-Z Fan Options*

The 36" and 48" E-Z Fan may be ordered assembled or unassembled.

If the Fan is to be suspended from the ceiling, the Slant Wall Kit is not used. If the Fan is to be installed in a side wall, the Slant Wall Kit may be used.

There are a variety of Motors available for the E-Z Fans. See the motor specifications chart in the parts list section of this manual. The E-Z Fan may also be ordered without a motor.

The 48" E-Z Belt Drive Fan may be ordered with a standard width Side Panels or Deep Side Panels. The standard width Side Panels are 13" (33 cm) or 16" (41 cm), respectively, for the 36" and 48" Fans. The Deep Box Side Panels are 21" (53 cm) wide.

## *Tools Required*

- Regular Screwdriver
- 1/2" Open End Wrench or Socket Wrench with 1/2" Socket
- Adequate Size & Quantity of Electrical Wire
- 5/16" Hex Key Wrench
- Hammer
- Wire Cutters & Strippers
- Electric Drill and Drill Bits

## *Fan Components Required*

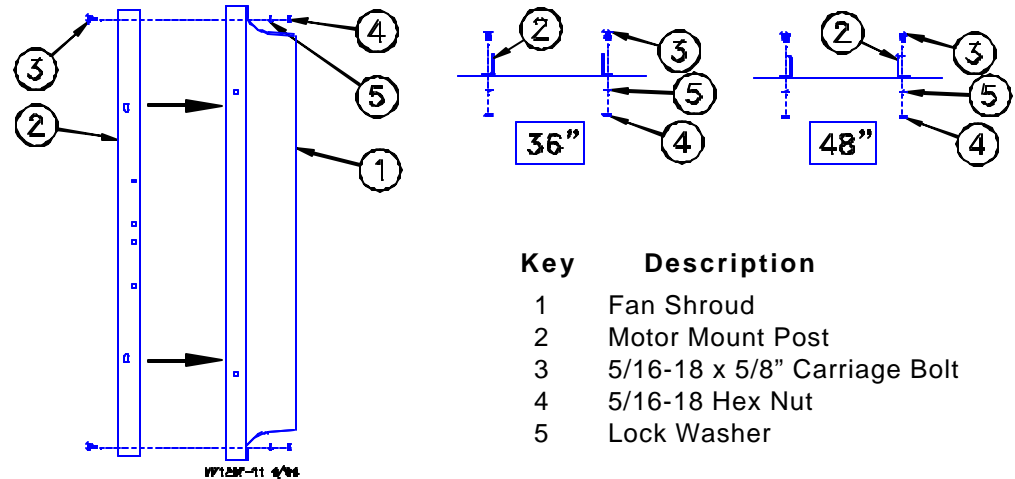
Check to make sure you have all the necessary components before beginning the assembly and installation process. If you did not receive a certain component, refer to the parts list section of this manual for the appropriate part number to order.

Description	Quantity		Description	Quantity	
	36"	48"		36"	48"
• Panels	4	4	• Shutter (w/ Slant Wall Kit only)	1	1
• Fan Shroud	1	1	• Slant Wall Kit		
• Motor Mount Post	2	2	Slant Wall Top Panel	1	1
• Motor Mount Module	1	1	Slant Wall Bottom Panel	1	1
• Fan Screens	2	2	Slant Wall Left Side Panel	1	1
• Fan Blade	1	1	Slant Wall Right Side Panel	1	1
• Hardware Package			• Slant Wall Hardware Kit		
5/16-18 x 5/8" Carriage Bolts	16	20	5/16 x 1-1/4" Lag Screws	12	12
5/16-18 Hex Nuts	16	20	Shutter Brackets	4	3
5/16" Lock Washer	16	20	#10-16 x 1-1/2" Screws	4	4
Screen Clips	24	24	Nylon Washer	4	4
			Rubber Grommet	1	1

# Fan Assembly Procedure

Secure the Motor Mount Post to the Fan Shroud using the 5/16-18 x 5/8" carriage bolts, lock washers, and hex nuts are provided in the Hardware Package.

The Motor Mount Post must be installed as shown in Figure 1.



**Installation Note:**

Many of the graphics provided reflect the standard Side Panels. Side Panels for the Deep Box Fans look similar, only wider.

**Figure 1. Motor Mount Installation (side view).**

The Side Panels for the Box Fans are identical. The Panels lock together by inserting the tabs of one Panel into the slot in the end of another Panel. See the detail in Figure 2.

Assemble three of the Side Panels together.

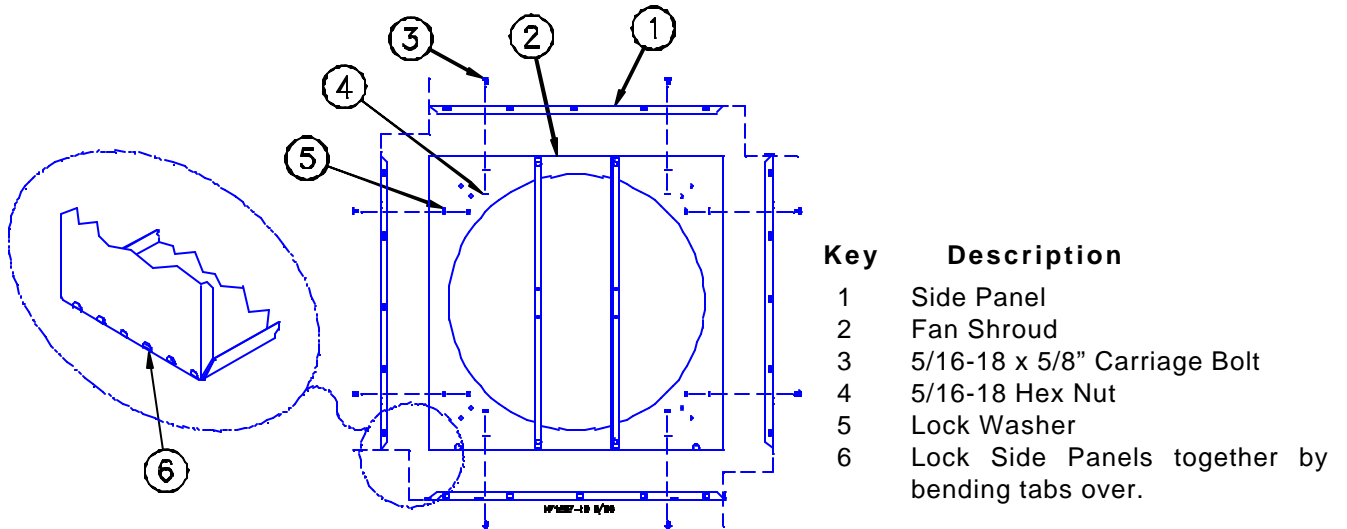
Use a hammer to carefully bend the corner tabs over to secure the Side Panels together.

Slide the Fan Shroud into the center of the panels.

Install the fourth Side Panel to enclose the Fan Shroud.

Secure the Shroud to the Side Panels using the 5/16-18 hardware provided. See Figure 2.

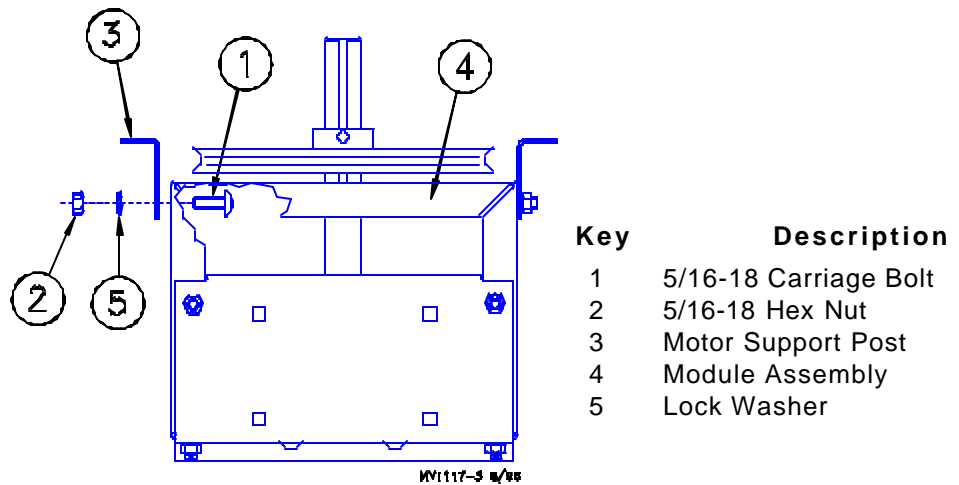
Note: 36" Fans use (2) bolts, washers, and nuts per side. 48" Fans use (3) bolts, washers, and nuts per side.



**Figure 2. Motor Mount Installation (top view).**

**Note:** The E-Z Fans may be ordered with or without the Motor.

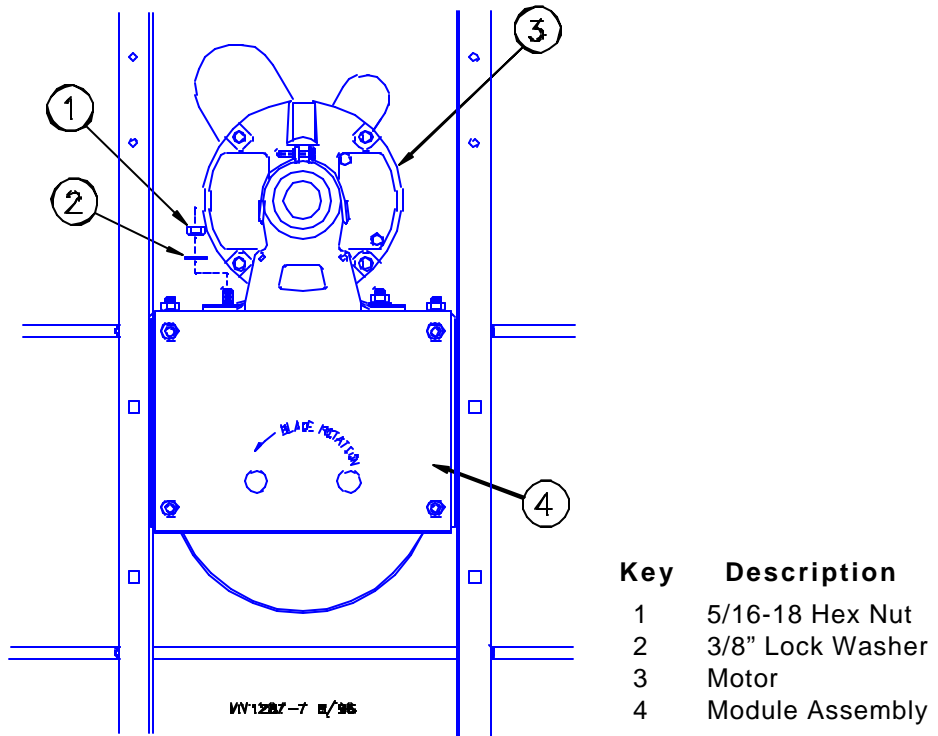
Secure the Module Assembly and Motor (motor not shown for clarity) between the Motor Support Post, as shown in Figure 3. Hardware is included in the Hardware Package.



**Figure 3. Fan Module installation (top view).**

If your Fans do not have factory-included motors, set the Motor on the Module Assembly and secure in place, as shown in Figure 4.

The Motor Module includes four Press Studs for motor mounting. The lock washers and hex nuts are shipped on the press studs.

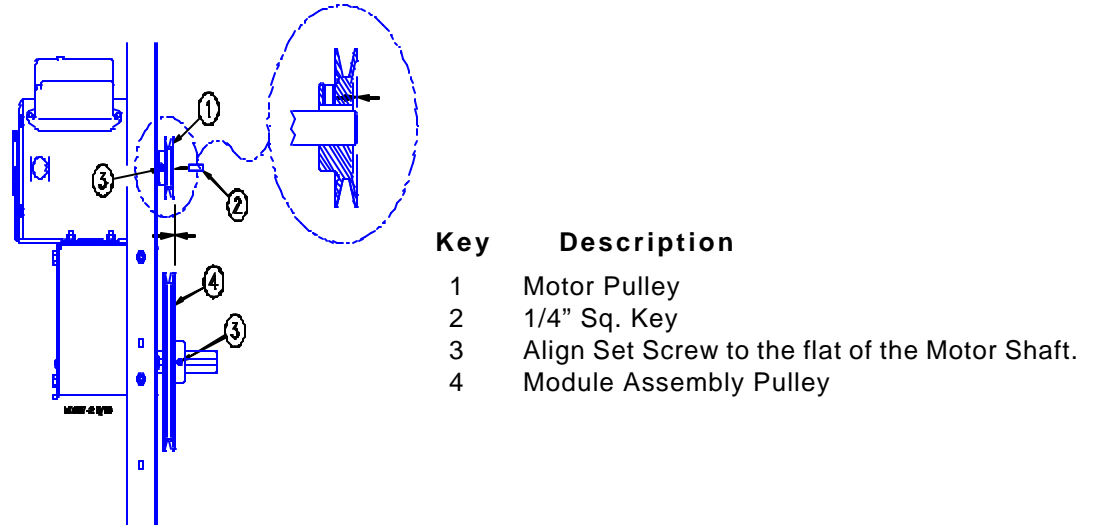


**Figure 4. Fan Motor installation**

Install the Motor Pulley on the Motor Shaft. The outside edge of the Motor Pulley should be flush with the end of the Motor Shaft. See Figure 1.

Align the large pulley with the Motor Pulley and tighten the set screws. The Pulleys must be aligned so that the Belt will track straight.

Begin with the Belt around small pulley, then guide the Belt around the larger pulley. Make sure the *printed* arrows on the Belt are pointing in the direction of blade rotation. Note: The arrows are printed on every tenth link.



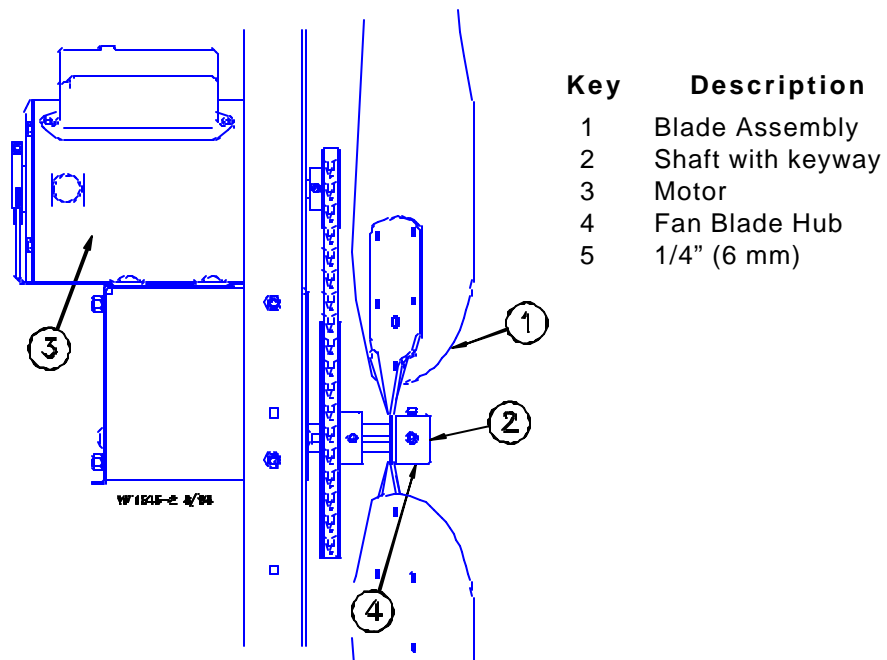
**Figure 5. Motor Pulley Installation (side view).**

Slide the Blade Assembly onto the shaft. The Hub of the Fan Blade should be flush with the end of the Shaft. See Figure 2.

Insert key into keyway on shaft.

Tighten the set screw(s) using a 5/16" open end wrench (or 12 point 3/8" socket and ratchet).

Torque the set screws to approximately 130 in./lbs.



**Figure 6. Blade Assembly Installation (side view).**



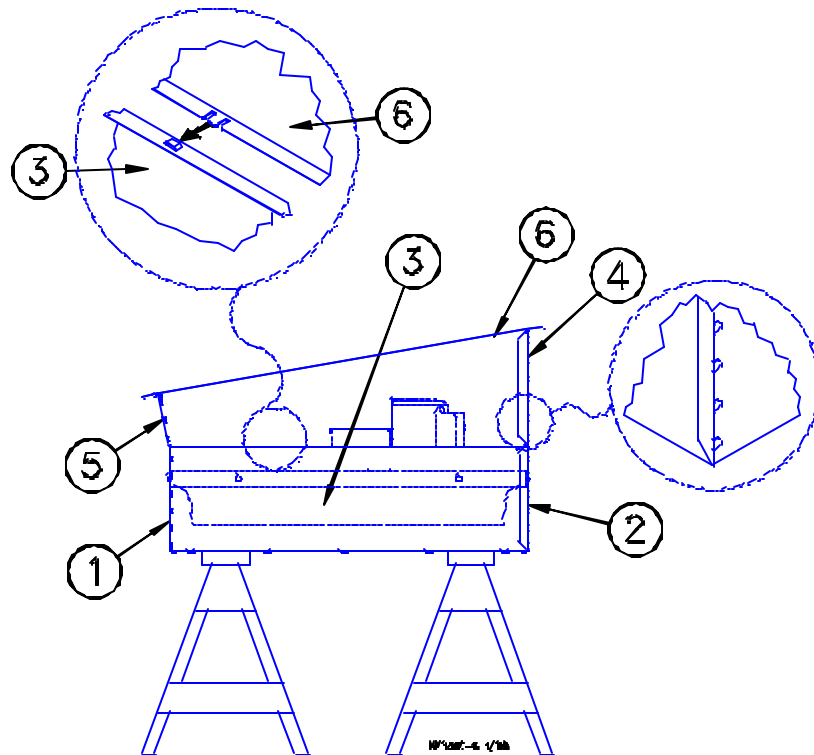
# Slant Wall Housing Assembly Procedure

If the Fan Assembly is to be installed in a side wall, the E-Z Fan Slant Wall Housing Kit may be assembled and installed.

Refer to Figure 7 for assembly information.

1. Lay assembled fan on the work table (with the motor end up).
2. Set the Slant Wall Bottom Panel in place on the Fan Assembly. Secure the Bottom Panel to the Fan Assembly by inserting the tabs into the slots, as shown in the detail in Figure 7.
3. Set the Slant Wall Side Panels in place on the Fan Assembly. The Slant Wall Side Panels are also secured to the Fan Assembly by inserting the tabs into the slots, as shown in the detail in Figure 7.
4. Set the Slant Wall Top Panel in place on the Fan Assembly. Secure the Top Panel to the Fan Assembly by inserting the tabs into the slots, as shown in the detail in Figure 7.
5. The Slant Wall Panels are designed to lock together similar to the Fan Assembly Panels.

Use a hammer to carefully bend the corner tabs over to secure the Slant Wall Panels together.



Key	Description
1	Bottom of Fan Assembly
2	Top of Fan Assembly
3	Fan Side Panel
4	Slant Wall Housing Top Panel
5	Slant Wall Housing Bottom Panel
6	Slant Wall Housing Side Panel

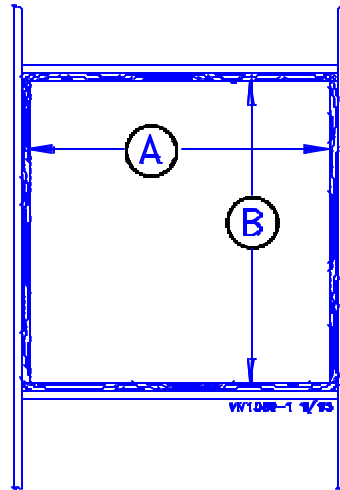
Figure 7. Slant Wall Housing Assembly (side view).

# Fan Installation

The E-Z Fan may be installed in a wall or suspended from the ceiling. For installations with the fan suspended from the ceiling, refer to Figure 11.

## Side Wall Installations:

Build fan framing out of 2" x 6" (50 x 150 mm) lumber (not supplied). The required wall opening is provided in the chart below. See Figure 8.



Dimension (minimum)	A	B
36" Fan	42-3/4" (1.11 m)	42-3/4" (1.11 m)
36" Fan w/Slant Wall	43-1/2" (110.5 cm)	44-1/2" (113.0 cm)
48" Fan	53" (134.6 cm)	53" (134.6 cm)
48" Fan w/Slant Wall	53-1/2" (135.9 cm)	54" (137.2 cm)

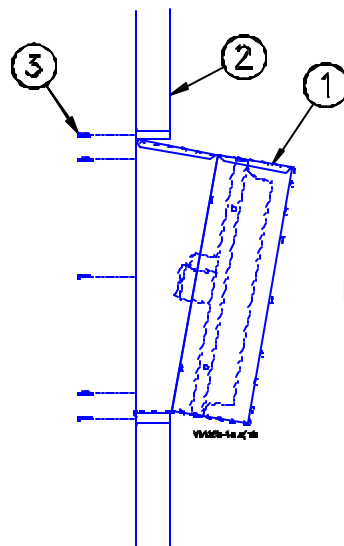
Figure 8. Framing Diagram (front view).

**Fan Assembly without Slant Wall Housing:** Insert the Fan Assembly in the framed opening in the side wall. If a Shutter is to be installed, the fan must be recessed in from the outside edge of the framed opening approximately 1/2" (13 mm). Secure the Fan Assembly to the framed opening (hardware not supplied)

Secure the Shutter to the framed opening using screws supplied with the Shutter. Make sure the Shutter can open and close freely.

**Fan Assembly with Slant Wall Housing:** Insert the Fan Assembly and Slant Wall Housing through the framed opening in the side wall. Center the Slant Wall Housing in the framed opening, left to right. Allow the Slant Wall Housing to set on the bottom of the framed opening.

Secure the Slant Wall Housing to the framed opening, using (3) 5/16" x 1-1/4" Lag Screws per side. See Figure 9. Lag Screws are supplied in the Hardware Package.



Key	Description
1	Fan and Slant Wall Housing Assembly
2	Side Wall of Building
3	5/16" x 1-1/4" Lag Screws (12 used)

Figure 9. Fan installation (front view).

The Bottom Panel is designed to hold the Shutter.

Install the (4) Shutter Brackets, as shown in Figure 10, to the sides and top of the Fan Housing to secure the Shutter in place.

The Fan Housing includes (4) pre-drilled Shutter Bracket holes (two on top, one on each side).

Install the Grommet in the corner of the Shutter, as shown in Figure 10.

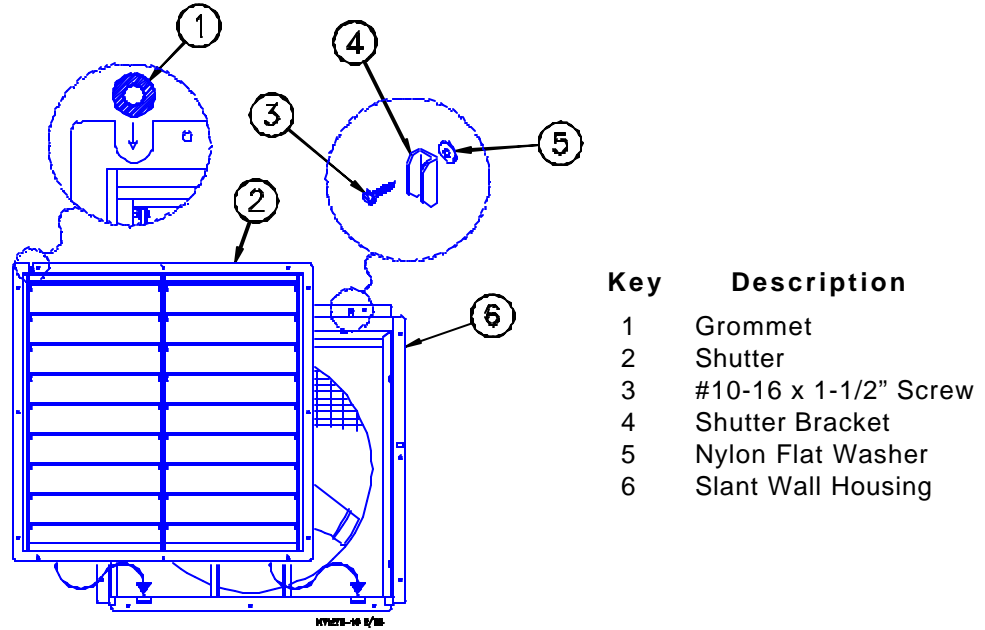


Figure 10. Shutter Installation (front view).

### Suspended Fan Installations:

Replace Items 9 - 11 from both sides of the top of the fan with the suspension components, Items 1 - 7, as shown in Figure 11. Discard Items 9 - 11.

The 36" E-Z Fan Assembly weighs approximately 95 lbs. (43.1 kg). The ceiling, rafters, or trusses must be capable of bearing the required weight.

The 48" E-Z Fan Assembly weighs approximately 155 lbs. (70.3 kg). The ceiling, rafters, or trusses must be capable of bearing the required weight.

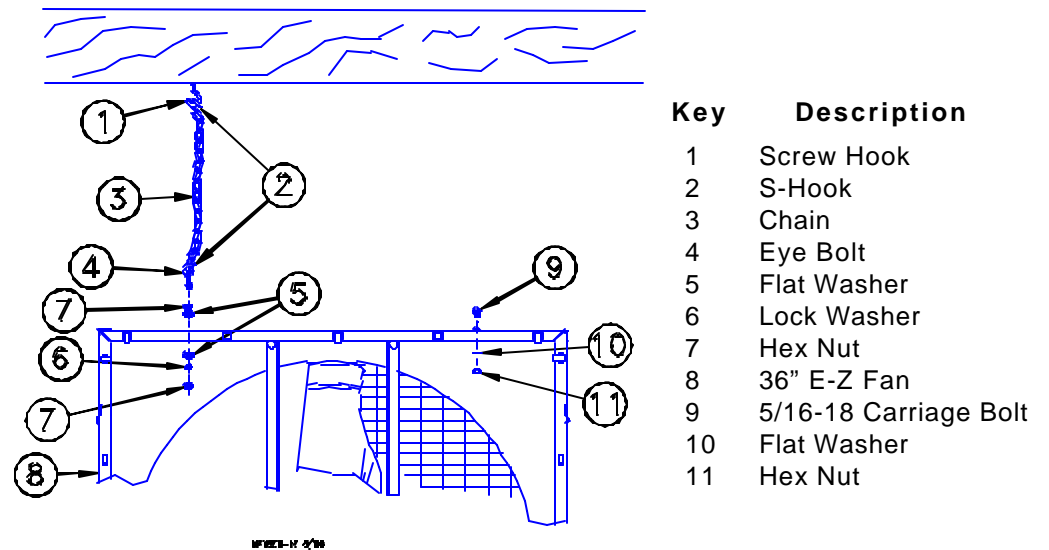


Figure 11. Suspending the Fan (front view).

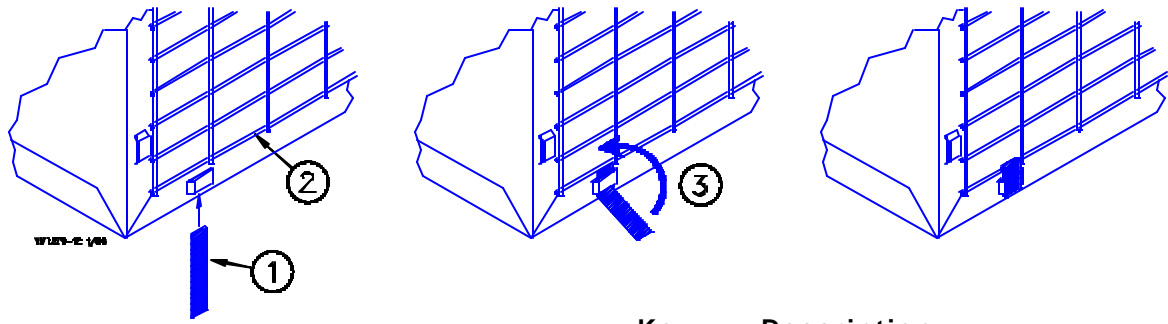


**DANGER: Wire Screen(s) MUST be installed to prevent serious injury or death.**

Position the front Screen over the front of the fan. Install (3) Wire Clips on each side to secure the Screen to the Panels. See Figure 12.

**Suspended Fan Installations:** The rear Screen is cut out to accommodate the motor. Position the rear Screen over the back of the fan. Install (3) Wire Clips on each side to secure the Screen to the Panels. See Figure 12.

**Slant Wall Fan Installations:** The Shutter previously installed is used in place of the Rear Screen.



Key	Description
1	Wire Clip
2	Wire Screen
3	Wrap the Wire Clip around the Screen Wire. Crimp to secure.

**Figure 12. Screen Installation.**

If Slant Wall Kit is used:

Use the (3) Cable Ties, not included, to route the motor cord along the Motor Mount Post.

If a Shutter was installed, route the motor cord through the Rubber Grommet in the upper left corner.

If a Shutter was not installed, the motor cord may be routed through the Rear Screen.

Some installations may require an exit hole for the motor cord be drilled in the side of the Shroud. These installations must have electrical wires routed through conduit to protect them from damage.

Note: Make sure the conduit or wires do not interfere with the Fan Blades or Shutter operation.

Wire the motor to fan controls according to the instructions packed with the fan controls.

## **MAINTENANCE:**

Service and maintenance of fans should be done only by a qualified technician.

**DISCONNECT POWER PRIOR TO MAINTAINING OR CLEANING THE FAN!** The fan may start automatically causing serious injury or death.

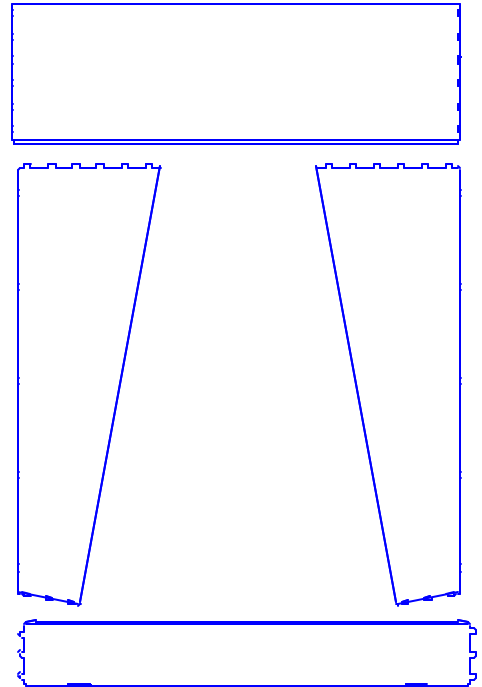
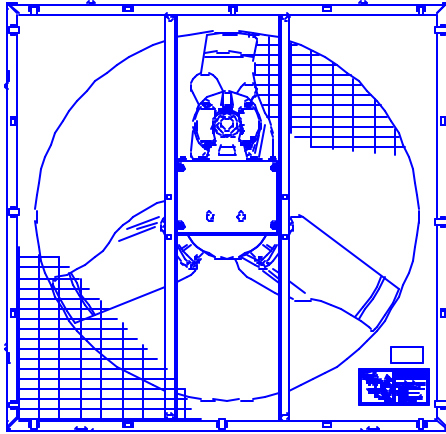
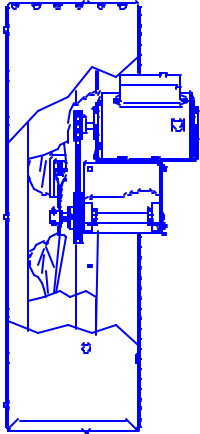
If the Belt needs to be re-tensioned, remove the Belt. Take one link out of the Belt and reconnect the ends. Reinstall the Belt, making sure the printed arrows are in the direction of fan rotation.

Keep the fan clean for maximum life and best performance.

Bearings are lubricated for life with normal use. Fans with relubricatable bearings may be lubricated periodically, using a lithium base grease.

# 36" Belt Drive E-Z Fan Parts List

## (Standard Box)



Item	Description	Part No.
1	Rear Screen	37315
2	V-Belt (2-1/2' req'd)	30374
3	Fan Pulley	27737
4	3/16" Sq. Key	2112-1
5	Motor Pulley	See Chart
6	Fan Shaft	37168
7	Bearing	20192-5
8	Flangette	20191-1
9	Front Bearing Mount Panel	37166
10	Motor	See Chart
11	Wire Clip	36007
12	Motor Mount Post	37209
13	36" Fan Panel	36006
14	36" Fan Blade	29736
15	36" Fan Shroud	5538
16	Front Screen	29046
17	Rear Bearing Mount Panel	37167
18	Danger Decal	2527-50
19*	Slant Wall Bottom Panel	36011
20*	Slant Wall Side Panel (L.H.)	36010-1

Item	Description	Part No.
21*	Slant Wall Top Panel	36008
22*	Slant Wall Side Panel (R.H.)	36010-2
--*	Shutter Clip	26729
--*	5/16 x 1-1/4" Lag Screws	7888
--*	Nylon Washers	4856
--*	#10-16 x 1-1/2" Screws	36703
--*	Grommet (for Shutter)	7256
--	3/16 x 1" Key	2112-1
--**	Shutter	37489

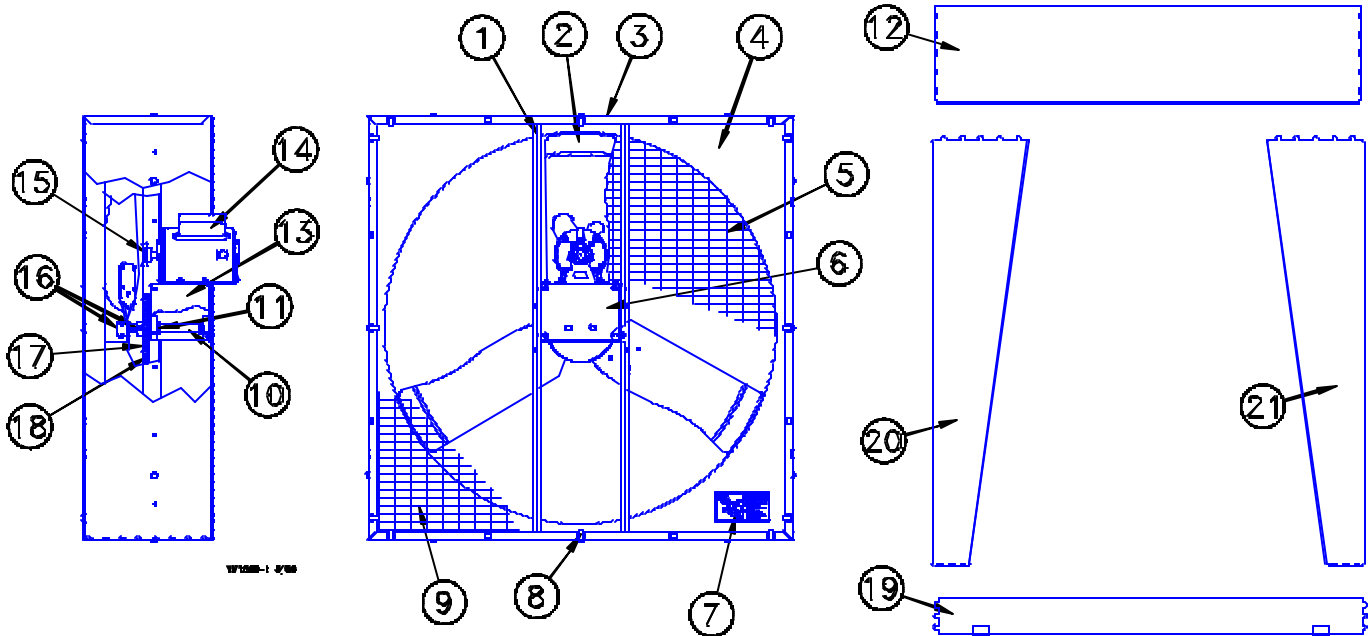
\*These components may be ordered as a Slant Wall Kit under Chore-Time Part No. 37132.

\*\*The Shutter must be ordered separately.

Items 2 - 10 and 17 may be ordered as a 36" Fan Motor Module. See the chart below for the various Motor Module Part Numbers.

36" Belt Drive E-Z Fan Kit (Assembled)	36" Belt Drive E-Z Fan Kit (unassembled)	Motor Specifications and Part Numbers for 36" Fans					Motor Module Part No.	Motor Pulley Part No.
		H.P.	Hz.	Phase	Voltage	Motor Part No.		
37958-3600	37313-3600	--	--	--	--	--	37314-LM	4906
37958-3610	37313-3610	1/2	60	1	115/230	8304	37314-2	4906
37958-3620	37313-3620	1/2	50	1	220	8304-50HZ	37314-3	8773
37958-3640	37313-3640	1/2	60	3	230/460	4714	37314-4	4906

# 48" Belt Drive E-Z Fan Parts List (Standard Box)

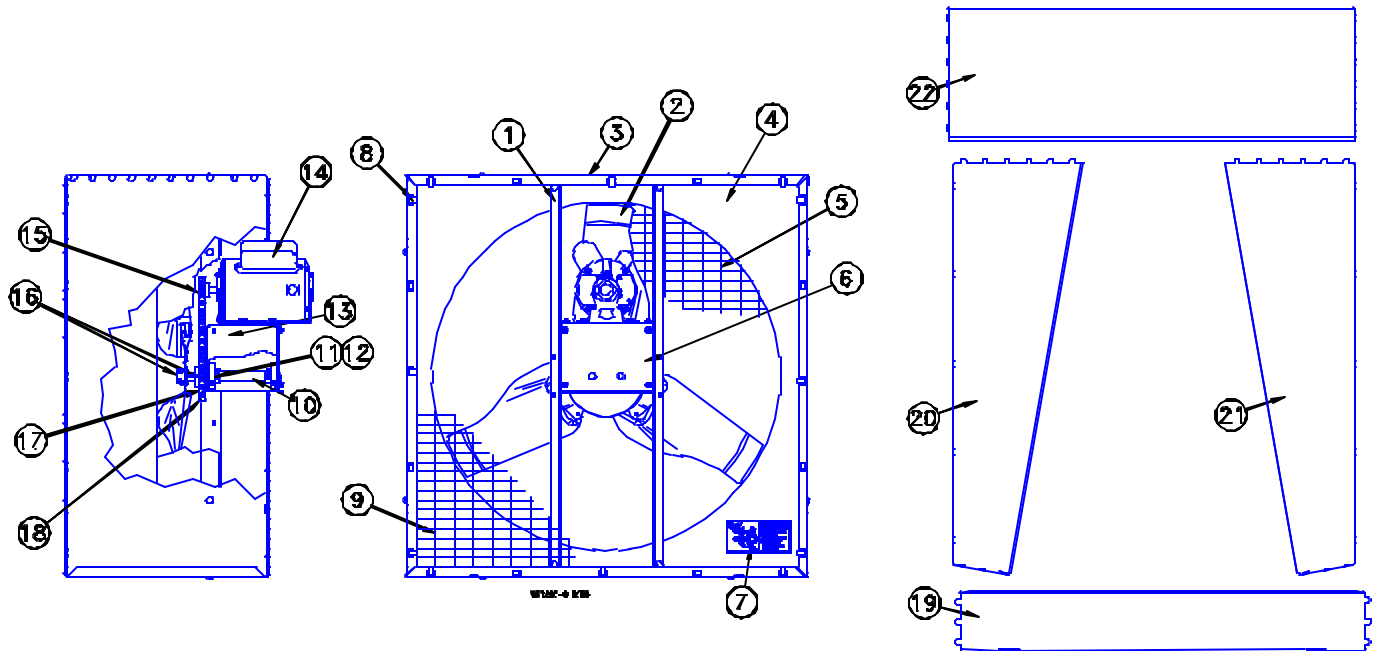


Item	Description	Part No.	Item	Description	Part No.
1	Motor Module Mount Post	36761	18	V-Belt (3' Req'd.)	30374
2	48" Fan Blade	28140	19*	Slant Wall Bottom Panel	36772
3	48" Fan Panel	36547	20*	Slant Wall Left Panel	36773-1
4	48" Shroud	36546	21*	Slant Wall Right Panel	36773-2
5	Front Wire Screen	36813	22*	Slant Wall Top Panel	36774
6	Rear Bearing Mount	36762	--*	Shutter Clip	26729
7	Danger Decal	2527-50	--*	5/16 x 1-1/4" Lag Screws	7888
8	Wire Clip	36007	--*	Nylon Washers	4856
9	Rear Wire Screen	36814	--*	#10-16 x 1-1/2" Screws	36703
10	1" Shaft	34723	--*	Grommet (for Shutter)	7256
11	Bearing	20191-2	--	Shutter	34914
12	Flangette	20191-1			
13	Front Bearing Mount	36763			
14	Motor	See Chart			
15	Motor Pulley	See Chart			
16	1/4" Sq. Key	2419-2			
17	Fan Pulley	35009			

\*These components may be ordered as a Slant Wall Kit under Chore-Time Part No. 37272.

48" Belt Drive E-Z Fan (assembled)	48" Belt Drive E-Z Fan (unassembled)	Motor Specifications and Part Numbers for 48" Fans					Motor Pulley Part No.	Motor Module Part No.
		H.P.	Hz.	Phase	Voltage	Motor Part No.		
37169-4800	37334-4800	--	--	--	--	--	35333	37271-LM
37169-4820	37334-4820	1	60	1	115/208-230	35874	35333	37271-2
37169-4830	37334-4830	1	50	1	115/220-240	35874	8773	37271-3
37169-4840	37334-4840	1	60	3	208-230/460	36143	35333	37271-4
37169-4850	37334-4850	1	50	3	208/380-415	36142	24697	37271-5
37169-4860	37334-4860	1	60	3	230/380-415	36142	35333	37271-6

## 48" Belt Drive E-Z Fan Parts List (Deep Box)



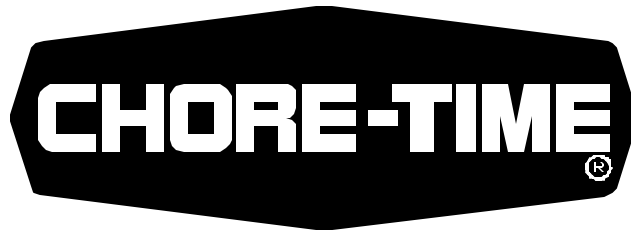
Item	Description	Part No.	Item	Description	Part No.
1	Motor Module Mount Post	36761	18	V-Belt (3' Req'd.)	30374
2	48" Fan Blade	28140	19*	Slant Wall Bottom Panel	36772
3	48" Fan Panel	37585	20*	Slant Wall Left Panel	36773-1
4	48" Shroud	36546	21*	Slant Wall Right Panel	36773-2
5	Front Wire Screen	36813	22*	Slant Wall Top Panel	36774
6	Rear Bearing Mount	38407	--*	Shutter Clip	26729
7	Danger Decal	2527-50	--*	5/16 x 1-1/4" Lag Screws	7888
8	Wire Clip	36007	--*	Nylon Washers	4856
9	Rear Wire Screen	36814	--*	#10-16 x 1-1/2" Screws	36703
10	1" Shaft	34723	--*	Grommet (for Shutter)	7256
11	Bearing	38382	--**	Shutter	34914
12	Flangette	20191-1			
13	Front Bearing Mount	36763			
14	Motor	See Chart			
15	Motor Pulley	See Chart			
16	1/4" Sq. Key	2419-2			
17	Fan Pulley	35009			

\*These components may be ordered as a Slant Wall Kit under Chore-Time Part No. 37272.

\*\*Shutter must be ordered separately.

48" Belt Drive E-Z Fan Assembly (assembled)	48" Belt Drive E-Z Fan Kit (unassembled)	Motor Specifications and Part Numbers for 48" Fans					Motor Pulley Part No.	Motor Module Part No.
		H.P.	Hz.	Phase	Voltage	Motor Part No.		
37584-4800	37961-4800	--	--	--	--	--	35333	37271-LM
37584-4820	37961-4820	1	60	1	115/208-230	35874	35333	37271-2
37584-4830	37961-4830	1	50	1	115/220-240	35874	8773	37271-3
37584-4840	37961-4840	1	60	3	208-230/460	36143	35333	37271-4
37584-4850	37961-4850	1	50	3	208/380-415	36142	24697	37271-5
37584-4860	37961-4860	1	60	3	230/380-415	36142	35333	37271-6

*THANK-YOU for purchasing a Chore-Time E-Z Fan.*



Made to work.  
Built to last.™

**Revisions to this Manual**

**Page No**

**Description of Change**

- |    |  |
|----|--|
| -- | Update parts listing to reflect the latest components. |
| -- | Added Deep Box version information throughout.         |

Contact your nearby Chore-Time distributor or representative for additional parts and information.  
Chore-Time Equipment, A Division of CTB, Inc.  
P.O. Box 2000, Milford, Indiana 46542-2000 U.S.A.  
Phone: 219-658-4101

Printed in the U.S.A.