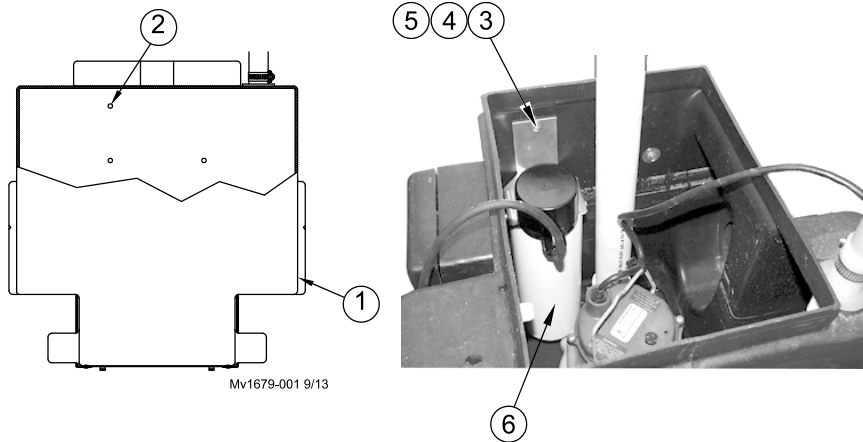




TURBO-COOL™ Water Level Safety Switch 230 V (Part No. 46700) and 110V (Part No. 46700-1) Instruction

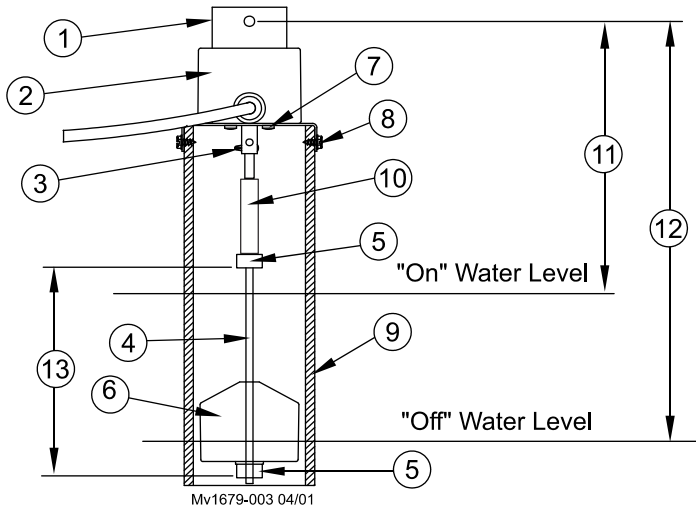
On the side of the Sump opposite the Trough Mount the Water Level Safety Switch to the Sump using the 1/4" nut, 1/4 x 5/8" bolt, and washer. Use the Washer on the outside of the Sump.



Item	Description	Part No.
1	Sump	--
2	Switch mounting hole locations	--
3	1/4-20 x 5/8 Bolt	4404-7
4	.275 x 1.00 Washer	2955-52
5	1/4" Hex SS Nut	7145
6	230V Water Lvl. Safety Switch 120V Water Lvl. Safety Switch	46700 46700-1

Figure 1. Water Level Safety Switch Installation

Water Level Safety Switch Parts List



Item	Description	Part No.
1	Water level Safety Switch Bracket	46708
2	230V Cord Switch Housing 120V Cord Switch Housing	46701 46701-1
3	Water Level Switch Pin	46704
4	Water Level Switch Rod	46702
5	Grommet	46709
6	Water Level Switch Float	46703
7	Water Level Switch Screw	46706
8	#10 x 1/2 SS Screw	38613
9	3.5" [89mm] OD x 10" Pipe	46707
10	.25 x 2.12 Tube	14454-2
11	7-5/8" [193mm]	--
12	11-11/16" [297mm]	--
13	5-1/2" [140mm] Between Grommets	--

Figure 2. Water Level Switch Parts

Chore-Time Group, A division of CTB, Inc.
PO Box 2000
Milford, Indiana 46542-2000 USA
Phone (574) 658-4101 Fax (877) 730-8825
Email: choretime@choretime.com
Internet: www.choretime.com

Switch Specifications

50/60Hz single phase.
 Maximum Pump Running Current: 13 amps.
 Maximum Pump Starting Current: 60 amps.
 Recommended Pump HP for: 230V Switch-1HP or less, 120V Switch-1/2HP or less.
 This Switch must be used with Pumps that provide integral thermal overload protection.

ELECTRICAL SHOCK HAZARD

Disconnect power before installing or servicing this product. A qualified service person must install and service this product according to applicable electrical plumbing codes.



MV1679-007 04/01

EXPLOSION OR FIRE HAZARD

Do not use this product with flammable liquids.

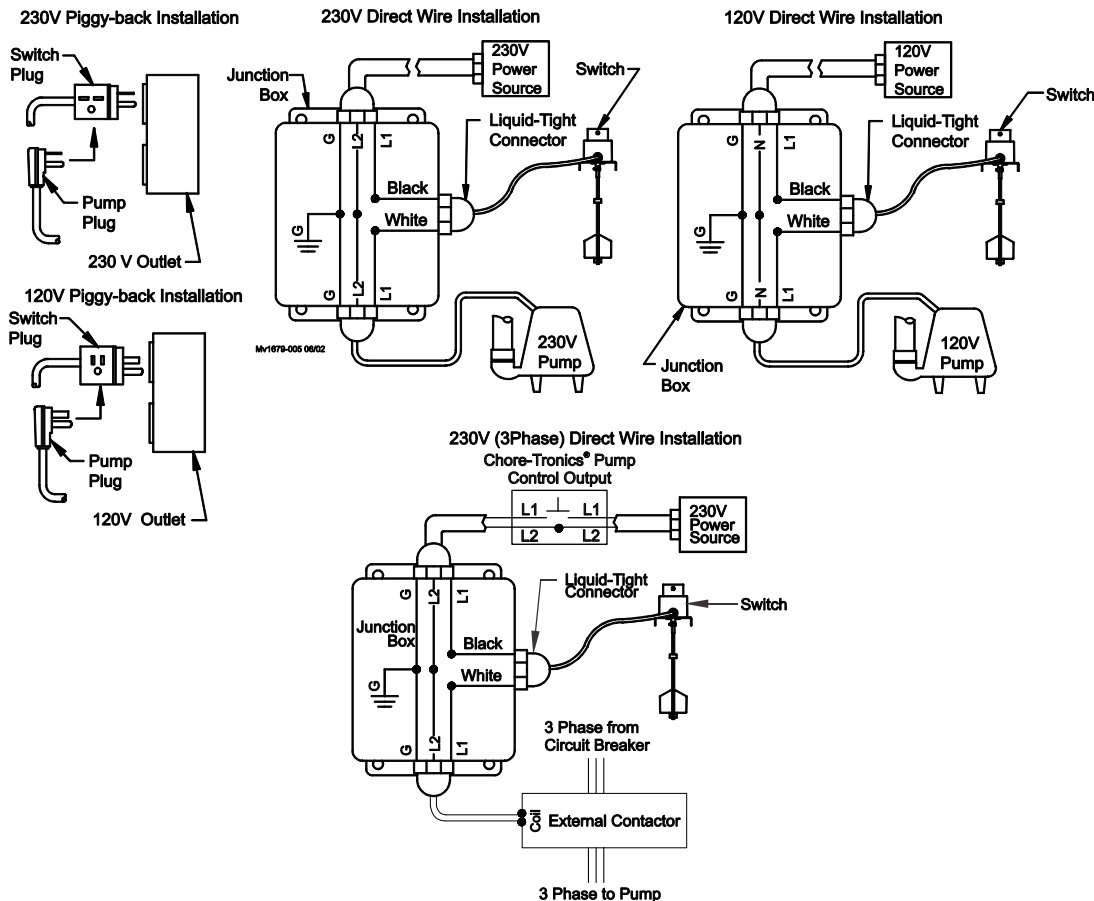
Do not install in hazardous locations as defined by National Electrical Code, ANSI/NFPA 70.

In 230 VAC Pump installations, one side of the line going to the Pump is always **HOT**. This conditions exists if the Switch is on or off. Install double pole disconnect on all 230 VAC Pump circuits.

Failure to follow the above precautions could result in serious injury or death. Replace product immediately if switch cable becomes damaged or severed. Keep these instructions after installation. This product must be installed in accordance with National Electric Code, ANSI/NFPA 70 so as to prevent moisture from entering or accumulating within boxes, conduit bodies, fittings, float housing, or cable.

Switch Wiring Options

Wire Switch as shown in **Figure 3**. below.



Check installation. Allow system to cycle to insure proper operation.