

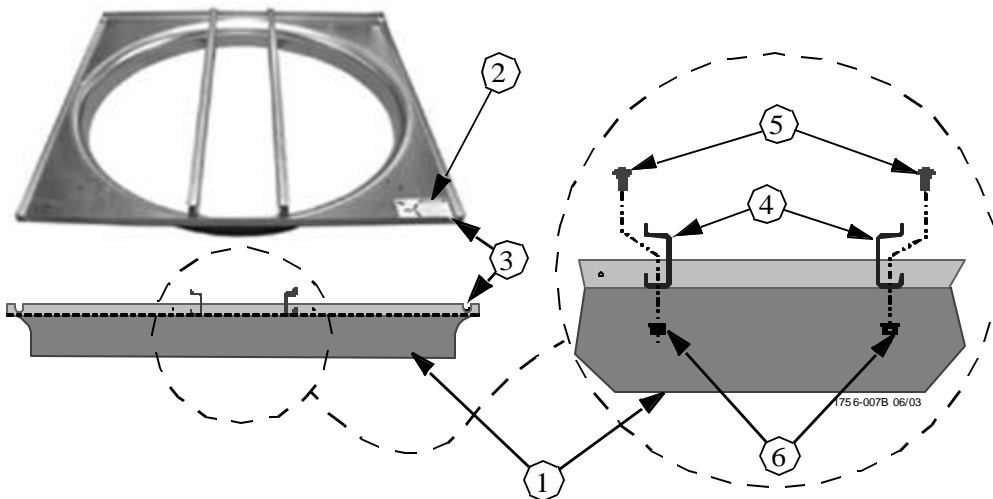


48" and 52" Vanguard Plus™ Un-Assembled Fans Assembly Manual

The employees of Chore-Time Equipment would like to thank you for your recent Chore-Time purchase. If a problem should arise, your Chore-Time distributor can supply the necessary information to help you.

Attaching the Posts

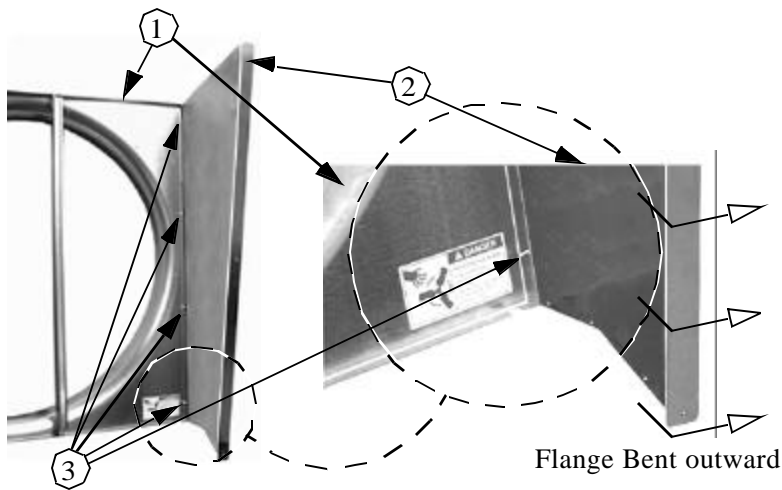
Lay the Shroud down with the Decal and the drain holes at the bottom as shown. Fasten the Posts (**Item 4**) to the Shroud (**Item 1**) with 5/16 Carriage Bolts and 5/16 Flange Nuts (**Items 5 and 6**) as shown.



Item	Description
1	Shroud
2	Danger Decal
3	Drain Hole
4	Post
5	5/16 Carriage Bolt
6	5/16 Flange Nut

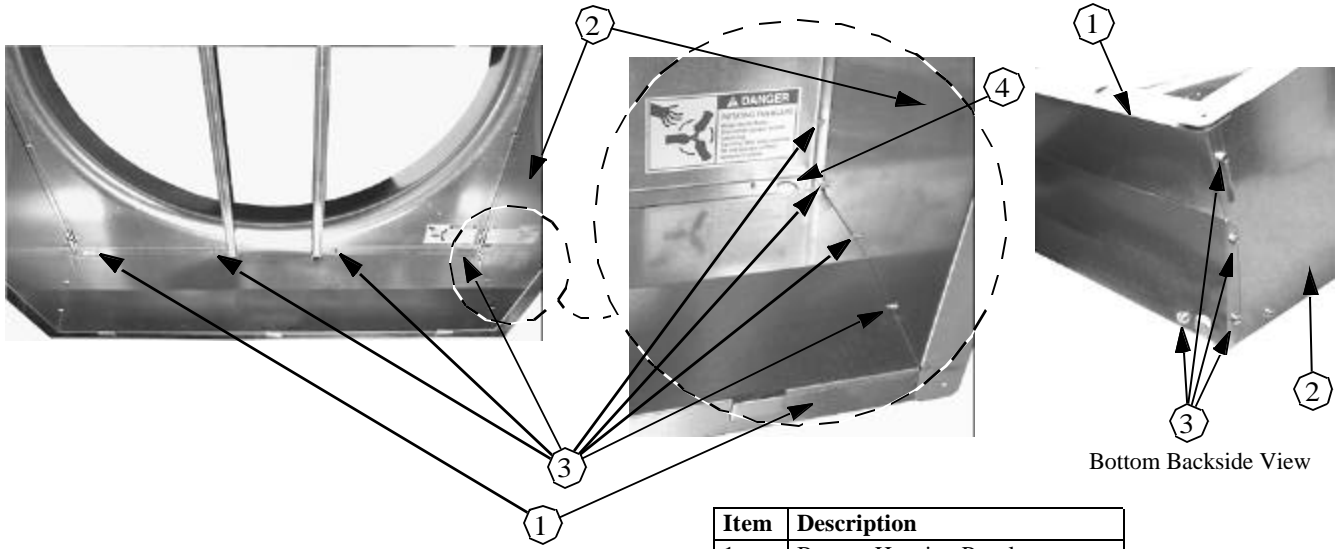
Attaching the Housing Panels

Line up holes in the Right Housing Panel with the Holes in the Shroud and attach them together with 1/4 x 1/2" Washer Head Screws (**See Figure below**). Be sure that the Flange on the Side Housing Panels bend outward as shown. This Flange will later be used to Attach the Fan to the Wall. Attach the Left Housing Panel using the same procedure as the Right Housing Panel.



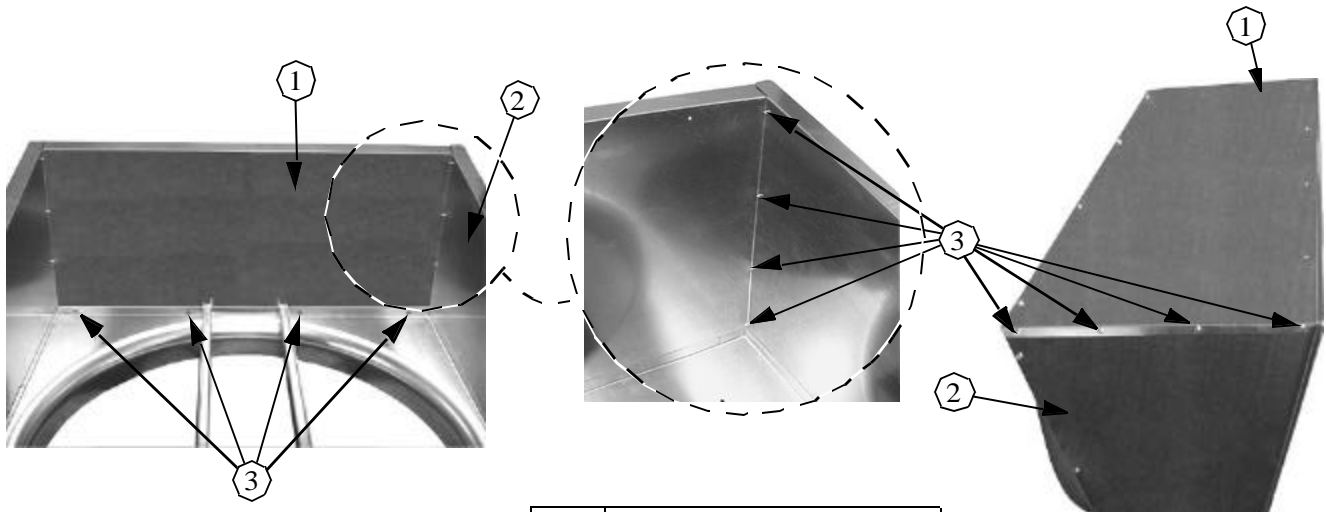
Item	Description
1	Shroud
2	Right Housing Panel
3	1/4 x 1/2" Washer Head Screw

The Bottom Panel is the smaller of the two Panels remaining and has two drain holes cut in it. (See Figure below). With the Flanges on the Bottom Housing Panel outside the Side Housing Panels, Line up the Holes in the Bottom Housing Panel with the holes in the Shroud and Attach with four 1/4 x 1/2" Washer Head Screws (Item 3 below). The Drain Holes in the Bottom Panel should line up with the Drain holes in the Shroud. Attach the Bottom Housing Panels to the Side Housing Panels with six 1/4 x 1/2" Washer Head Screws.



Item	Description
1	Bottom Housing Panel
2	Side Housing Panel
3	1/4 x 1/2" Washer Head Screw
4	Drain Hole

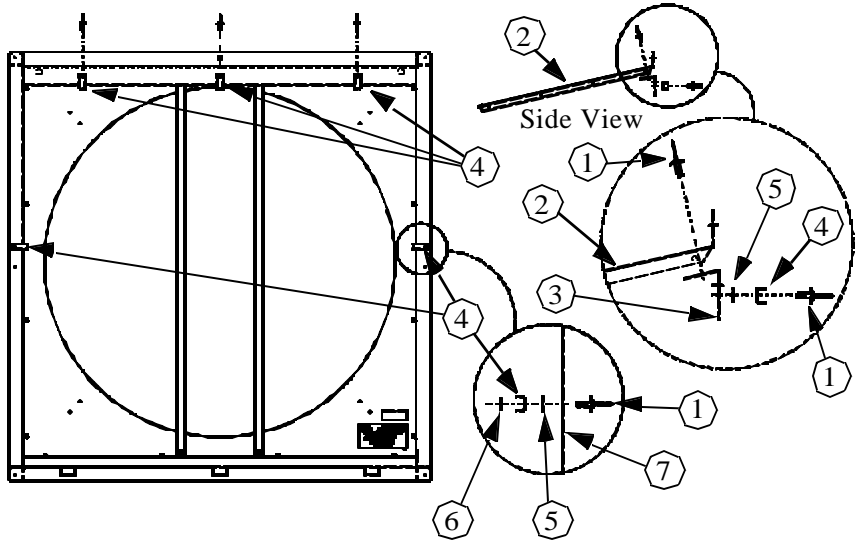
With the Flanges of the Top Housing Panel outside the Side Housing Panels, line up the Holes in the Top Housing Panel with the Holes in the Shroud and fasten them together with four 1/4 x 1/2" Washer Head Screws. Attach the Top Housing Panel to the Side Housing Panels with eight 1/4 x 1/2" Washer Head Screws. Be sure that the Top Panel Flanges are outside the Side Panels to work as a water shed. (See Figure below)



Item	Description
1	Top Housing Panel
2	Side Housing Panel
3	1/4 x 1/2" Washer Head Screw

Attaching the Shutter Mounting Brace

Use 3 Pop Rivets (**Item 1**) to attach the Shutter Mounting Brace to the Top Housing Panel **as shown below**. Fasten three Shutter Clips and Nylon Washers to the Shutter Mounting Brace with Pop Rivets **as shown**. Use Pop Rivets to attach Shutter Clips, Nylon Washers, and Flat Steel Washers to the Side Housing Panels in the two locations **shown**. Be sure to use the upper most hole near the center of the Side Panel as shown.



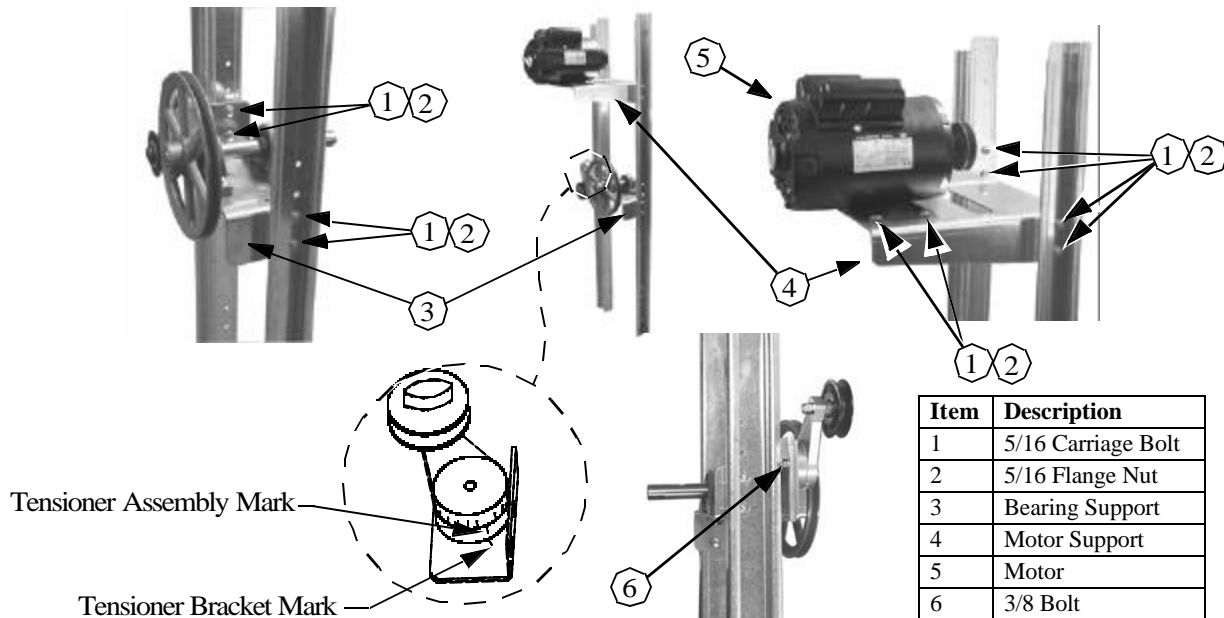
Item	Description
1	Pop Rivet
2	Top Housing Panel
3	Shutter Mounting Brace
4	Shutter Clip
5	Nylon Washer
6	Flat Steel Washer
7	Side Housing Panel

Installing the Fan in the wall opening

Set the Fan into the Wall opening and use the supplied 1/4 x 1-1/2" Lag Screws to attach the Fan to the Wall. Refer to the Vanguard Plus™ Installation and Operation Manual, **MV1760 Page 1**, for detailed attachment instructions.

Attaching the Bearing Support and Motor Support

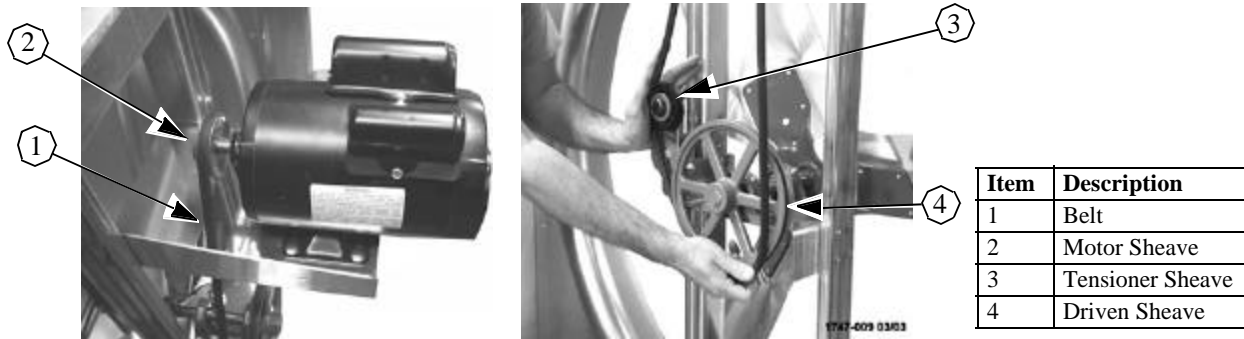
Attach the Bearing Support Assembly to the Posts with 5/16 Carriage Bolts and Flange Nuts, (**Items 1 and 2**), using the bottom set of holes in the Posts. Make sure the Bearing Support Assembly is Perpendicular to the Posts. Attach the Motor Support, (**Item 4**), to the Posts with 5/16 Carriage Bolts and Flange Nuts. Make sure that the Motor Support is perpendicular to the Posts. Rotate the Belt Tensioner until the centerline on the Tensioner Assembly lines up with the Mark on the Tensioner Bracket and Tighten the 3/8 Bolt (**Item 6**) on the back of the Tensioner Assembly. Attach the Motor to the Motor Support Bracket with 5/16 Carriage Bolts and Flange Nuts.



Item	Description
1	5/16 Carriage Bolt
2	5/16 Flange Nut
3	Bearing Support
4	Motor Support
5	Motor
6	3/8 Bolt

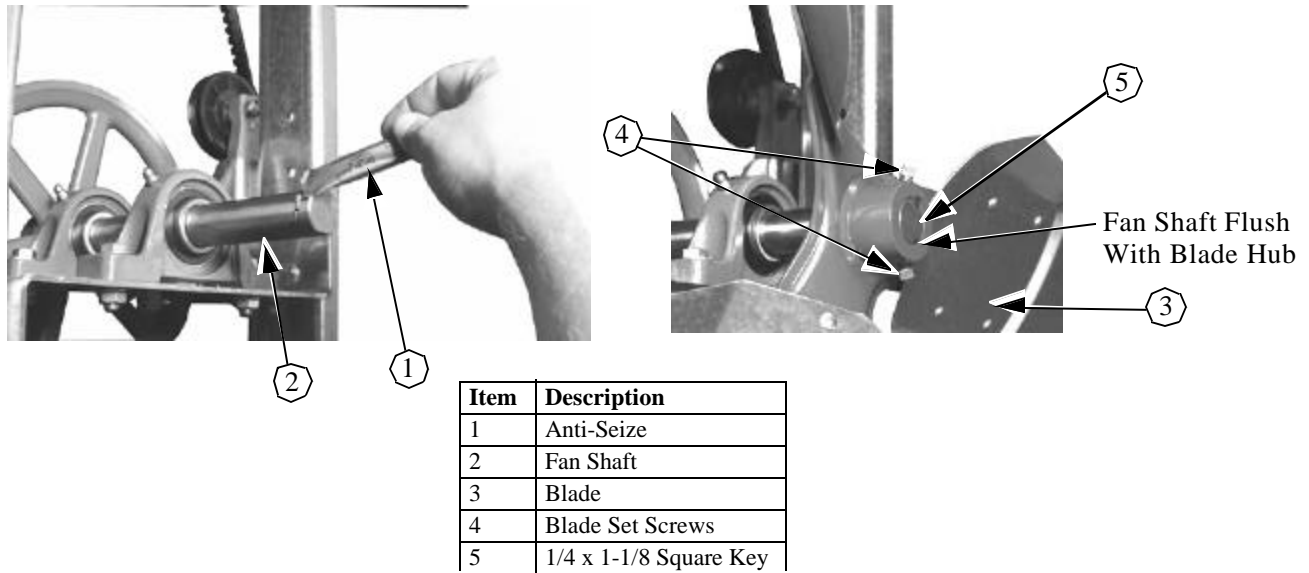
Installing the Belt

Guide the Belt through the Opening in the Motor Support Bracket and loop it over the Motor Sheave. Guide the Belt around the Tensioner Sheave and push on it to get enough slack to put the Belt on the Driven Sheave **as shown in the Figure below**. Make sure the Belt does not rub against the Motor Support Bracket.



Installing the Blade

Apply Anti-Seize (**Included in Parts Package**) liberally to the Fan Shaft surface and keyway **as shown below**. Insert the 1/4 x 1-1/8 Square Key supplied, position the Blade flush with the end of the Fan Shaft, and torque the Blade Set Screws to 150-165 IN-LBS.



Refer to the Vanguard Plus™ Installation and Operators Manual MV1760 for further installation procedures.



**Made to work.
Built to last.**

Contact your nearby Chore-Time distributor or representative for additional parts and information.
CTB Inc.

P.O. Box 2000 • Milford, Indiana 46542-2000 • U.S.A.
Phone (574) 658-4101 • Fax (877) 730-8825
E-Mail: ctb@ctbinc.com • Internet: <http://www.ctbinc.com>

Printed in the U.S.A.