



New Style Sump (49047)

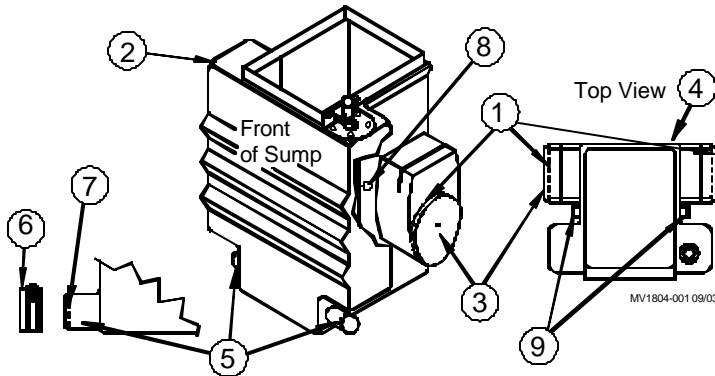
Preperation for Installation Instruction

Sump Preparation

Determine which side of the Sump will need to be modified before installation. If the Sump is to be installed to the right of the Trough, the left side of the Sump will need to be cut at the indicated cut line. If the Sump is to be installed to the left of the Trough, the right side of the Sump will need to be cut at the indicated cut line. To install the Sump in the middle of the system, cut both 1/2" Sump End Caps off the Sump. A short hand saw works nicely for this. **See Figure below.**

Decide which side of the Sump will be used for the drain and cut off that end (**Item 5**). **Make cut for one drain only.** Install the 1-1/2" Rubber Pipe Cap.

Decide which side of the Sump to install the Overflow Fitting and Install the 1/2" PVC Overflow Fitting in the hole. The 1/2" PVC pipe can be attached to this fitting to channel overflow water to a drain. Use a 1/2" PVC Pipe Plug to Plug the hole on the opposite end of the Sump.



Item	Description
1	Sump End Cap Cut Line
2	Sump
3	Sump End Cap
4	Side of Sump mounted to wall
5	Optional Drain Plug Locations
6	1-1/2" Rubber Pipe Cap
7	Drain Cut Line
8	1/2" Overflow Hole
9	Overflow Fitting Locations

Chore-Time Equipment a Division of CTB, Inc.
P.O. Box 2000 • Milford, Indiana 46542-2000 • U.S.A.
Phone (574) 658-4101 • E-Mail: ctb@ctbinc.com

MV1804A
09/03