

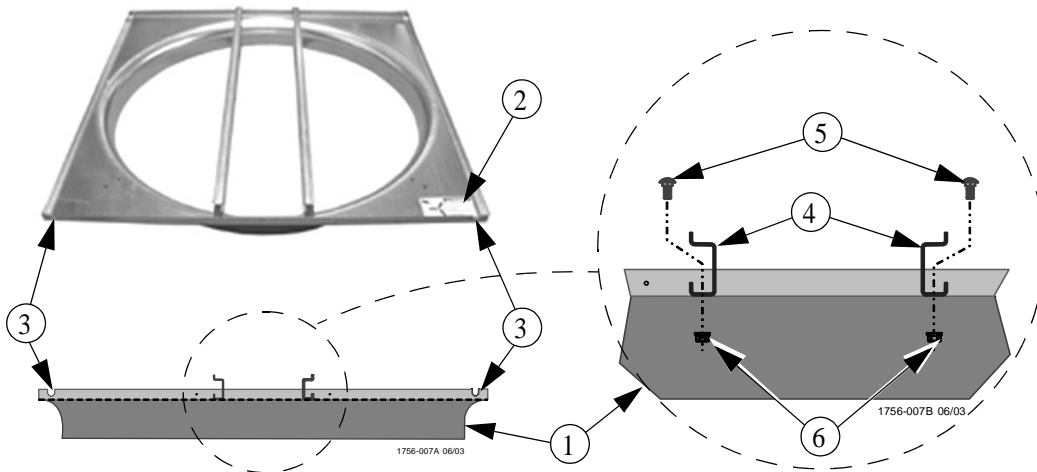


48" and 52" Galvanized Hyflo® Un-Assembled Fans Assembly Manual

The employees of Chore-Time Equipment would like to thank you for your recent Chore-Time purchase. If a problem should arise, your Chore-Time distributor can supply the necessary information to help you.

Attaching the Posts

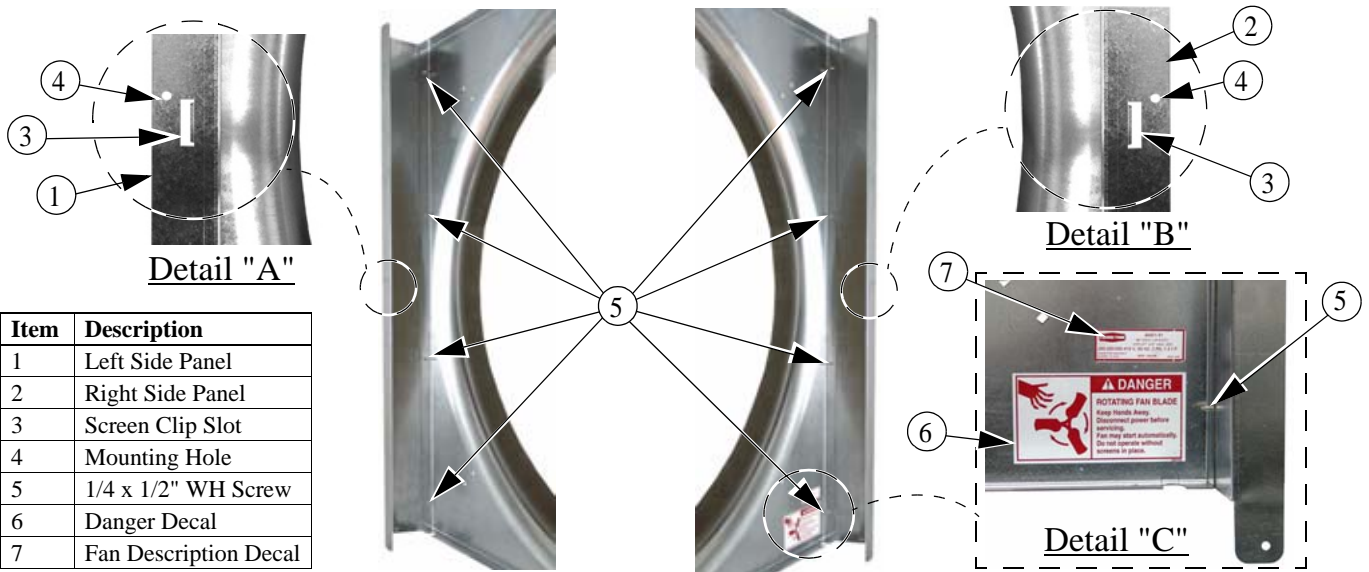
Lay the Shroud down with the Decal and the drain holes at the bottom as shown. Fasten the Posts (**Item 4**) to the Shroud (**Item 1**) with 5/16 Carriage Bolts and 5/16 Flange Nuts (**Items 5 and 6**) as shown.



Item	Description
1	Shroud
2	Danger Decal
3	Drain Hole
4	Post
5	5/16 Carriage Bolt
6	5/16 Flange Nut

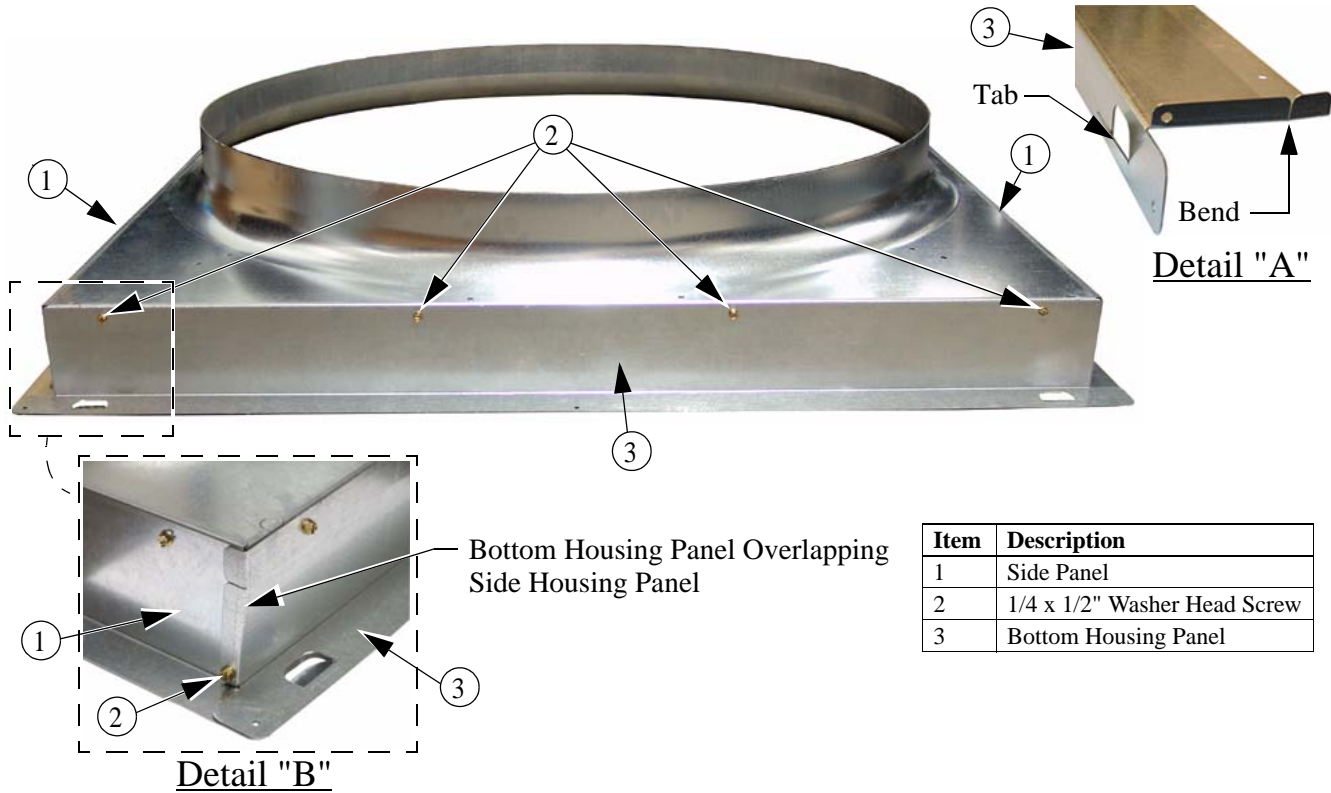
Attaching the Housing Panels

The bottom of the Shroud can be identified by a Danger Decal (**Item 6**). Apply the Fan Description Decal (**Item 7**), included in the parts package, above the Danger Decal **as shown**. Each Side Housing Panel has a Screen Clip Slot, and a Mounting Hole near the center of the Panel. (See Figure below). To determine which is the left and right Panel, meet the following two conditions: The Mounting Holes are toward the top (**Details "A" and "B"**), and the Flanges are bent away from the center of the Shroud (**Detail "C"**). Line up the holes in the Side Housing Panels with the holes in the Shroud and attach them with (8) 1/4 x 1/2" Hex Washer Head Screws (**Item 5**).



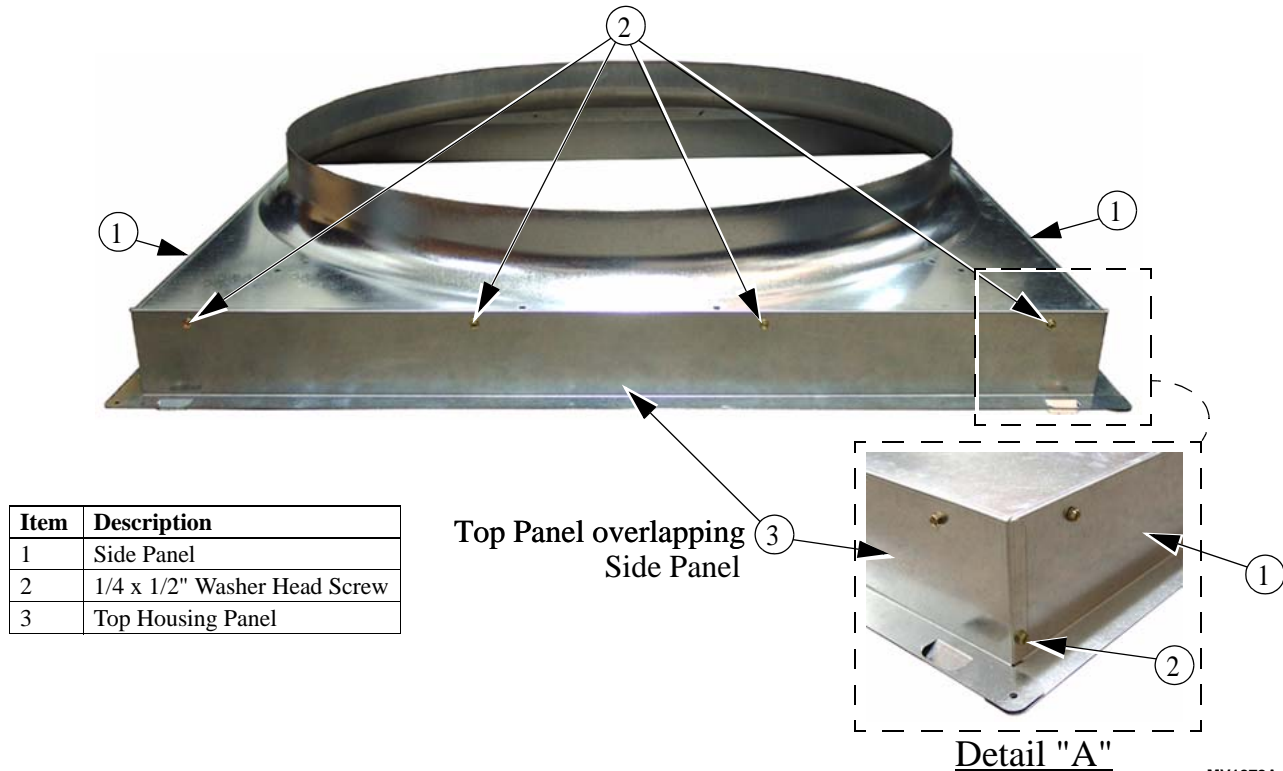
Item	Description
1	Left Side Panel
2	Right Side Panel
3	Screen Clip Slot
4	Mounting Hole
5	1/4 x 1/2" WH Screw
6	Danger Decal
7	Fan Description Decal

The Bottom Housing Panel has two Tabs in it, and a full length bend (See Detail "A" below). The Flanges on the Bottom Housing Panel should overlap the Side Housing Panels (Detail "B"). Attach the Bottom Housing Panel to the bottom of the Shroud (the one with the Danger Decal) using the pre-drilled holes with four 1/4 x 1/2" Washer Head Screws. Attach the Bottom Housing Panel to the Side Panels with (2) 1/4 x 1/2" Washer Head Screws (one at each corner of the Fan) (Detail "B").



Item	Description
1	Side Panel
2	1/4 x 1/2" Washer Head Screw
3	Bottom Housing Panel

Attach the Top Panel to the Shroud with (4) 1/4 x 1/2" Washer Head Screws. Make sure that the Top Panel Flanges Overlap the Side Panels to provide watershed (See Detail "A"). Use (2) 1/4 x 1/2" Washer Head Screws to Fasten the Top Panel to both side Panels (one at each corner of the Fan) (See Detail "A").



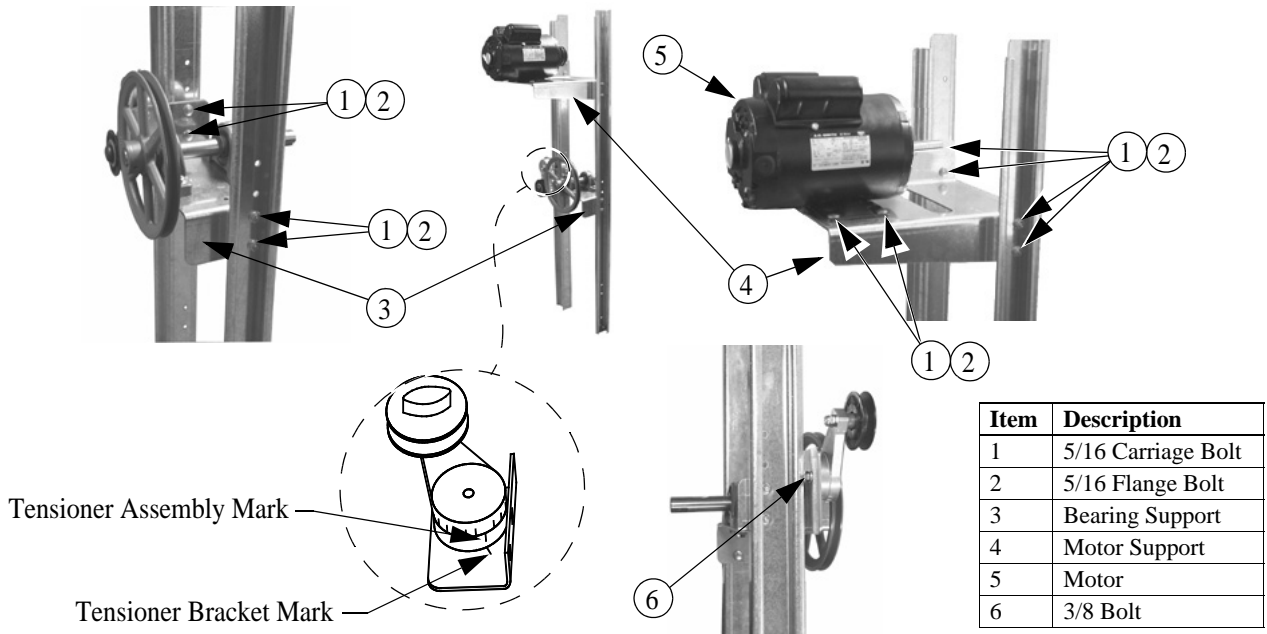
Item	Description
1	Side Panel
2	1/4 x 1/2" Washer Head Screw
3	Top Housing Panel

Installing Fan in the Wall

Set the Fan into the Wall opening and use the supplied 1/4 x 1-1/2" Lag Screws to attach the Fan to the Wall. Refer to the Hyflo Installation and Operation Manual (MV1832) for detailed attachment instructions.

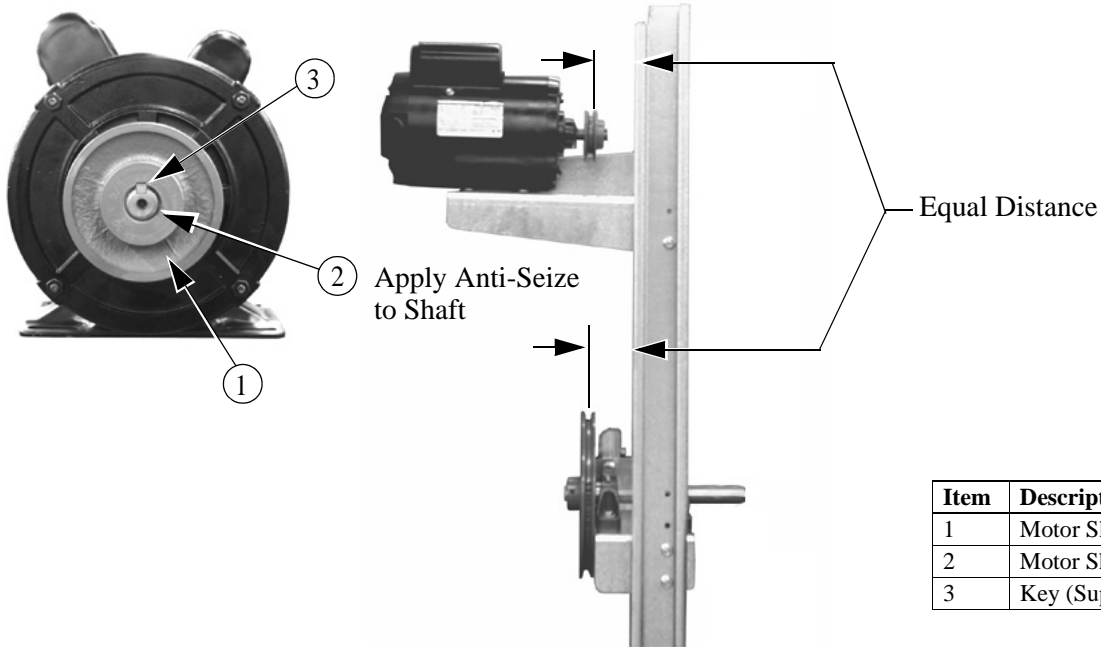
Attaching the Idler and Motor Supports and Motor

Attach the Bearing Support Assembly (**Item 3**) to the Posts with 5/16 Carriage Bolts and Flange Nuts, (**Items 1 and 2**), using the bottom set of holes in the Posts. Attach the Motor Support, (**Item 4**), to the Posts with 5/16 Carriage Bolts and Flange Nuts. Check that both the Bearing Support and the Motor Support are perpendicular to the Posts. Rotate the Belt Tensioner until the centerline on the Tensioner Assembly lines up with the Mark on the Tensioner Bracket and Tighten the 3/8 Bolt (**Item 6**) on the back of the Tensioner Assembly. Attach the Motor to the Motor Support Bracket with 5/16 Carriage Bolts and Flange Nuts.



Motor Sheave Installation

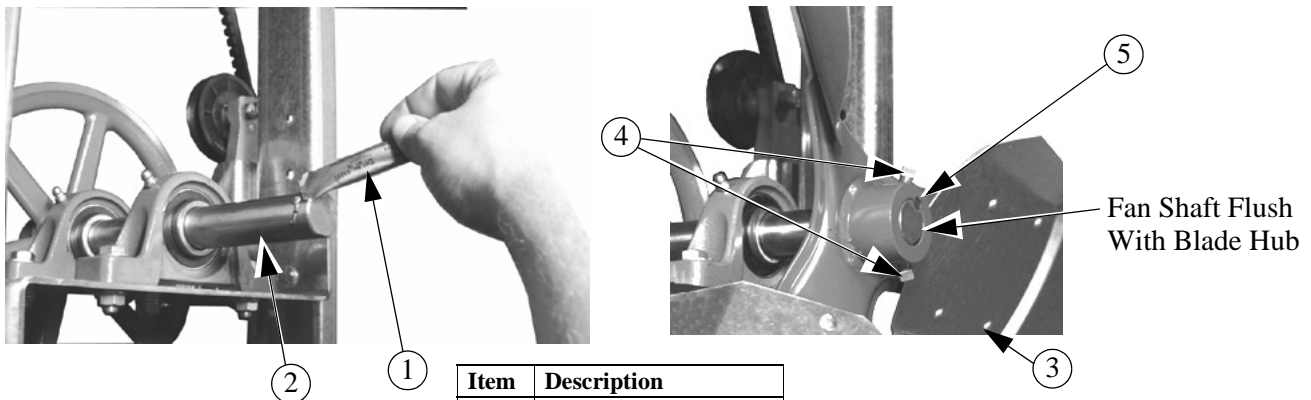
Apply a liberal amount of Anti-Seize (supplied in Parts Package) to the Motor Shaft (**Item 2, Figure below**). Slide the Sheave onto the motor shaft as shown. Align the Motor Sheave with the Driven Sheave by measuring from the Fan Posts as shown. It may be necessary to lay a straight edge across the Posts to get an accurate measurement. Once the Sheaves are aligned, Insert the key provided with the Motor to lock the Sheave in place, and torque the Set Screw to 150-165 in-lbs to secure the Motor Sheave in place



Item	Description
1	Motor Sheave
2	Motor Shaft
3	Key (Supplied)

Blade Installation

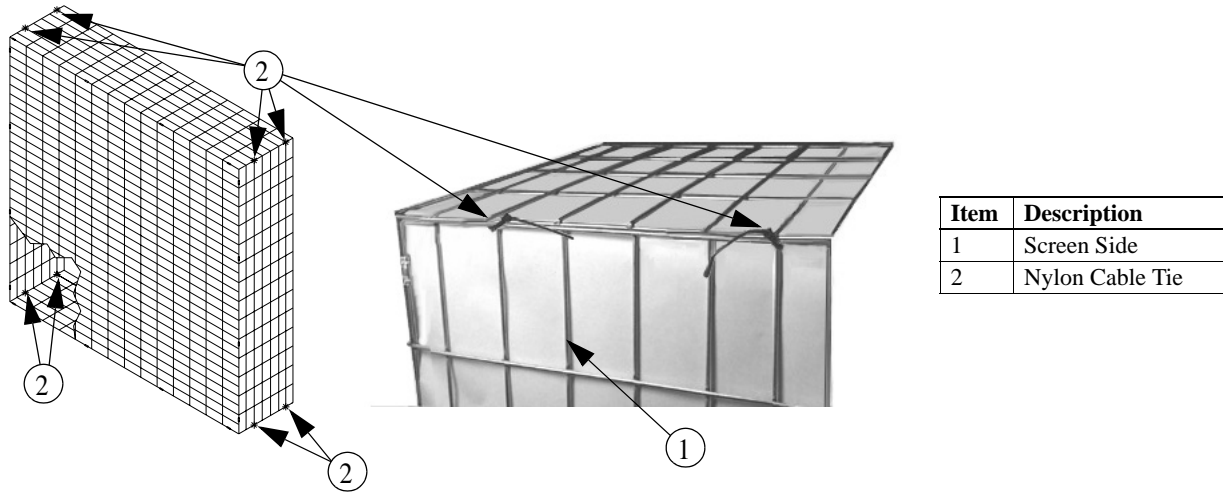
Apply Anti-Seize (**Included in Parts Package**) to the Fan Shaft as shown below. Put on the Blade and Insert the 1/4 x 1-1/8 Square Key supplied. Position the Blade flush with the end of the Fan Shaft and torque the Blade Set Screws to 150-165 IN-LBS.



Item	Description
1	Anti-Seize
2	Fan Shaft
3	Blade
4	Blade Set Screws
5	1/4 x 1-1/8 Square Key

Assembling the Inlet Screen

With the Inlet Screen Laying flat rotate the Screen Sides 90 degrees and secure with supplied Nylon Cable Ties. Use two Nylon Cable Ties per Corner in the locations **shown below**. Trim off excess Cable tie. (**Cable ties shown before being cut off for clarity**).



Refer to the Hyflo Installation and Operators Manual MV1832 for further installation procedures.

Revisions to this Manual

Page No.	Description of Change
various	New Manual



**Made to work.
Built to last.**

Contact your nearby Chore-Time distributor or representative for additional parts and information.
CTB Inc.

P.O. Box 2000 • Milford, Indiana 46542-2000 • U.S.A.
Phone (574) 658-4101 • Fax (877) 730-8825
E-Mail: ctb@ctbinc.com • Internet: <http://www.ctbinc.com>

Printed in the U.S.A.