

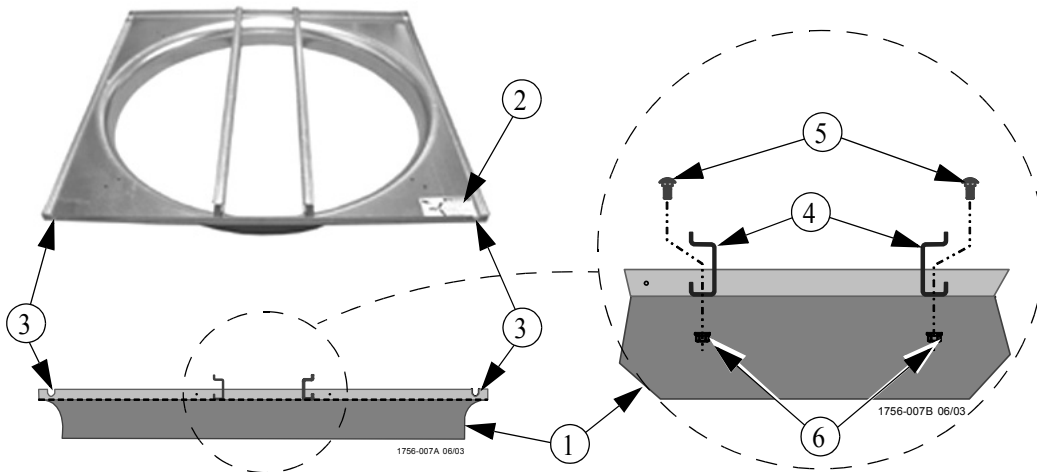


48" and 52" Galvanized Hyflo® Un-Assembled Fans Assembly Manual

The employees of Chore-Time Equipment would like to thank you for your recent Chore-Time purchase. If a problem should arise, your Chore-Time distributor can supply the necessary information to help you.

Attaching the Posts

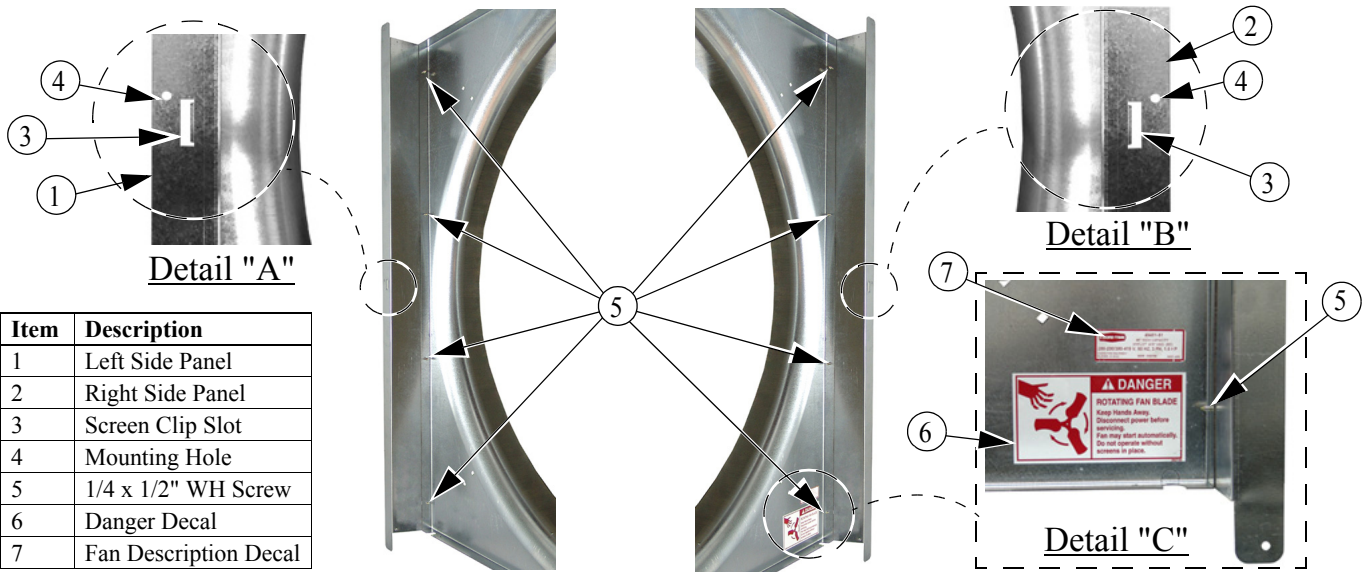
Lay the Shroud down with the Decal and the drain holes at the bottom as shown. Fasten the Posts (Item 4) to the Shroud (Item 1) with 5/16 Carriage Bolts and 5/16 Flange Nuts (Items 5 and 6) as shown.



Item	Description
1	Shroud
2	Danger Decal
3	Drain Hole
4	Post
5	5/16 Carriage Bolt
6	5/16 Flange Nut

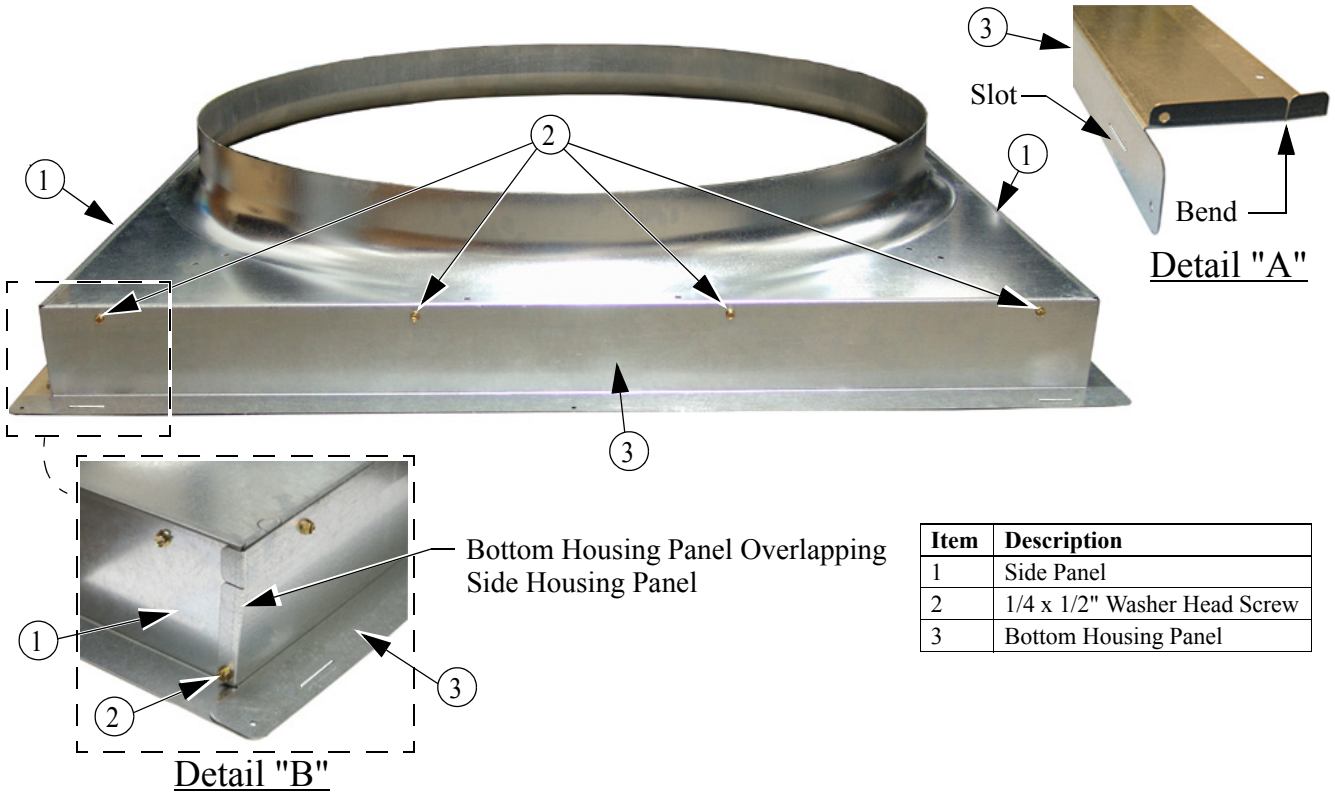
Attaching the Housing Panels

The bottom of the Shroud can be identified by a Danger Decal (Item 6). Apply the Fan Description Decal (Item 7), included in the parts package, above the Danger Decal as shown. Each Side Housing Panel has a Screen Clip Slot, and a Mounting Hole near the center of the Panel. (See Figure below). To determine which is the left and right Panel, meet the following two conditions: The Mounting Holes are toward the top (Details "A" and "B"), and the Flanges are bent away from the center of the Shroud (Detail "C"). Line up the holes in the Side Housing Panels with the holes in the Shroud and attach them with (8) 1/4 x 1/2" Hex Washer Head Screws (Item 5).



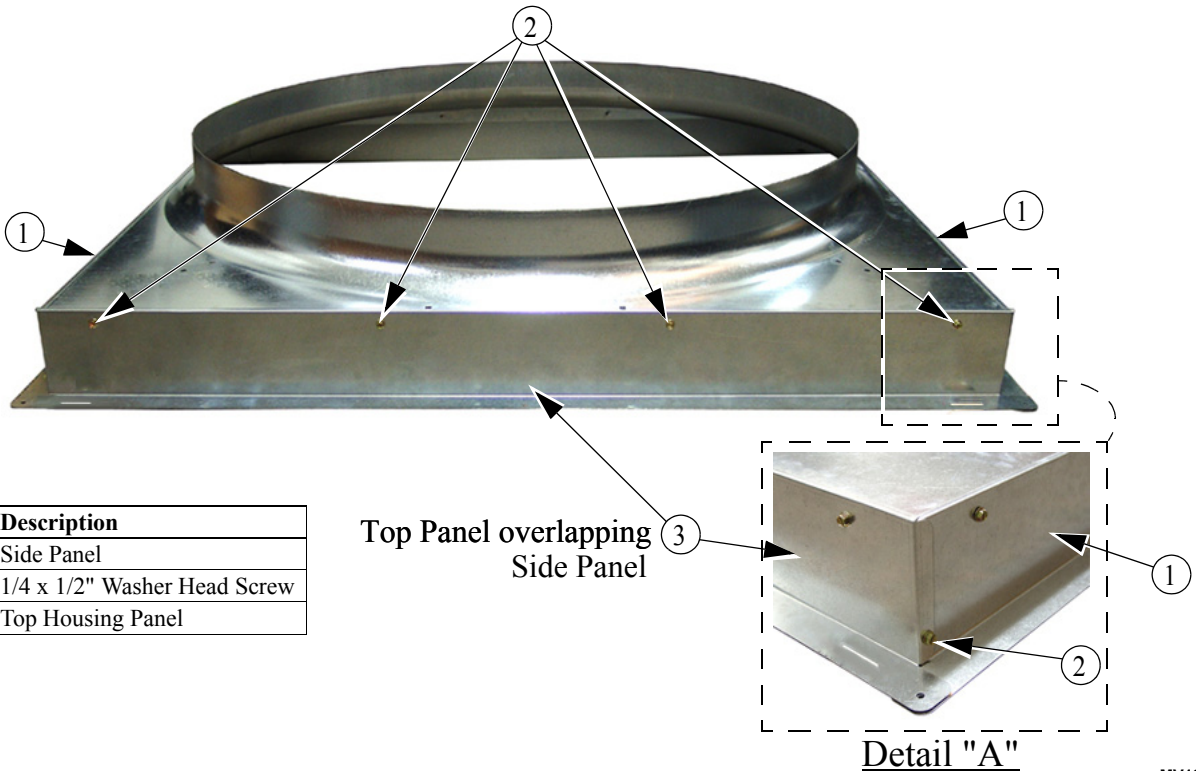
Item	Description
1	Left Side Panel
2	Right Side Panel
3	Screen Clip Slot
4	Mounting Hole
5	1/4 x 1/2" WH Screw
6	Danger Decal
7	Fan Description Decal

The Bottom Housing Panel has two Slots in it, and a full length bend (See Detail "A" below). The Flanges on the Bottom Housing Panel should overlap the Side Housing Panels (Detail "B"). Attach the Bottom Housing Panel to the bottom of the Shroud (the one with the Danger Decal) using the pre-drilled holes with four 1/4 x 1/2" Washer Head Screws. Attach the Bottom Housing Panel to the Side Panels with (2) 1/4 x 1/2" Washer Head Screws (one at each corner of the Fan) (Detail "B").



Item	Description
1	Side Panel
2	1/4 x 1/2" Washer Head Screw
3	Bottom Housing Panel

Attach the Top Panel to the Shroud with (4) 1/4 x 1/2" Washer Head Screws. Make sure that the Top Panel Flanges Overlap the Side Panels to provide watershed (See Detail "A"). Use (2) 1/4 x 1/2" Washer Head Screws to Fasten the Top Panel to both side Panels (one at each corner of the Fan) (See Detail "A").



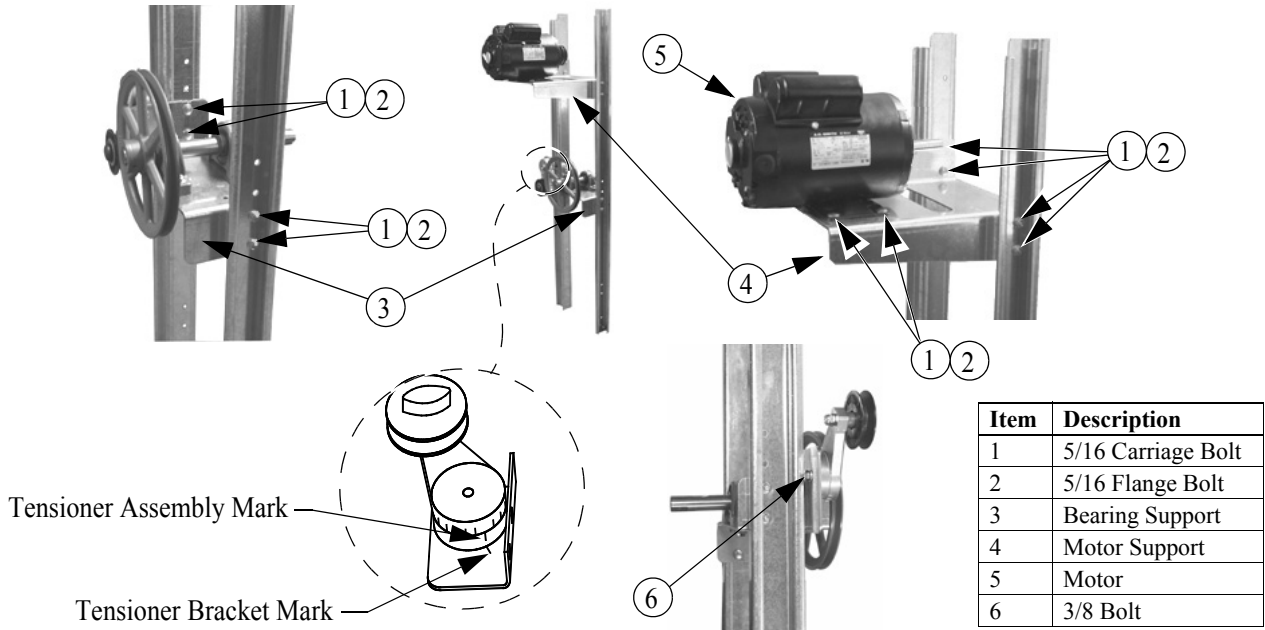
Item	Description
1	Side Panel
2	1/4 x 1/2" Washer Head Screw
3	Top Housing Panel

Installing Fan in the Wall

Refer to the Hyflo® Installation and Operation Manual (MV1832) for detailed attachment instructions.

Attaching the Idler and Motor Supports and Motor

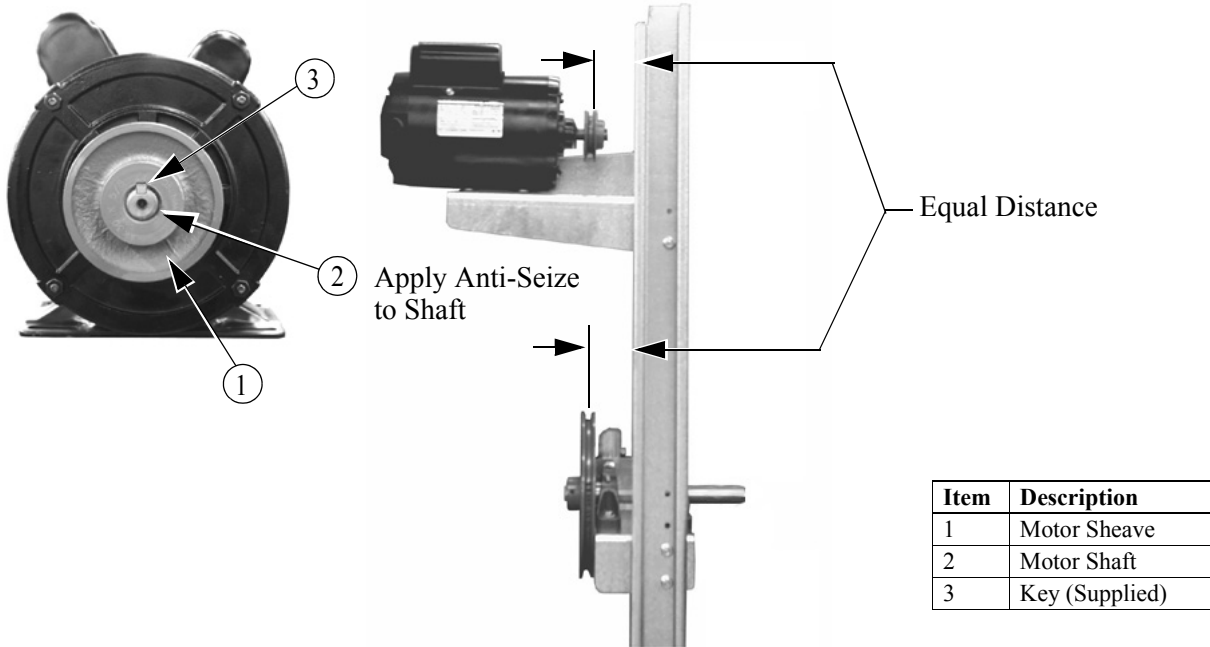
Attach the Bearing Support Assembly (**Item 3**) to the Posts with 5/16 Carriage Bolts and Flange Nuts, (**Items 1 and 2**), using the bottom set of holes in the Posts. Attach the Motor Support, (**Item 4**), to the Posts with 5/16 Carriage Bolts and Flange Nuts. Check that both the Bearing Support and the Motor Support are perpendicular to the Posts. Rotate the Belt Tensioner until the centerline on the Tensioner Assembly lines up with the Mark on the Tensioner Bracket and Tighten the 3/8 Bolt (**Item 6**) on the back of the Tensioner Assembly. Attach the Motor to the Motor Support Bracket with 5/16 Carriage Bolts and Flange Nuts.



Item	Description
1	5/16 Carriage Bolt
2	5/16 Flange Bolt
3	Bearing Support
4	Motor Support
5	Motor
6	3/8 Bolt

Motor Sheave Installation

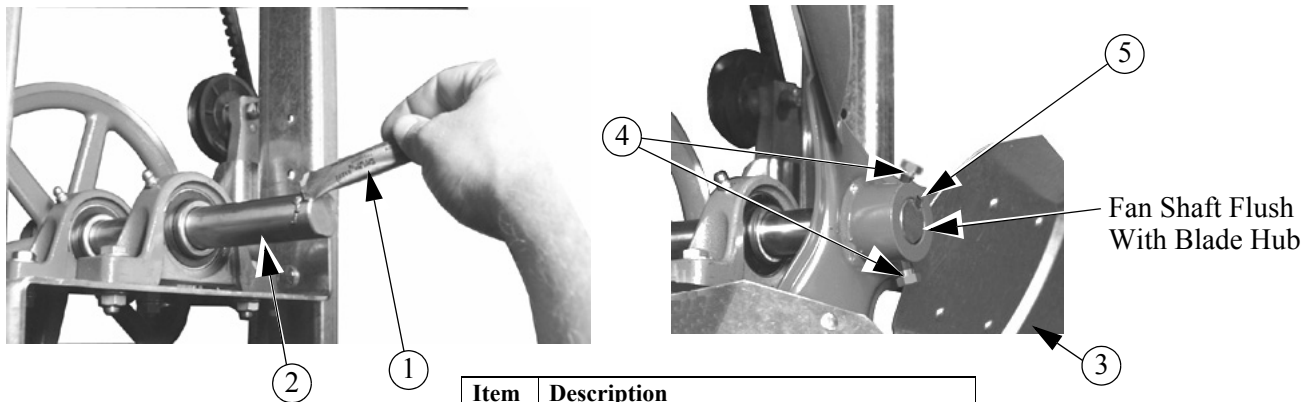
Apply a liberal amount of Anti-Seize (supplied in Parts Package) to the Motor Shaft (**Item 2, Figure below**). Slide the Sheave onto the motor shaft as shown. Align the Motor Sheave with the Driven Sheave by measuring from the Fan Posts as shown. It may be necessary to lay a straight edge across the Posts to get an accurate measurement. Once the Sheaves are aligned, Insert the key provided with the Motor to lock the Sheave in place, and torque the Set Screw to 150-165 in-lbs to secure the Motor Sheave in place



Item	Description
1	Motor Sheave
2	Motor Shaft
3	Key (Supplied)

Blade Installation

Apply Anti-Seize (**Included in Parts Package**) to the Fan Shaft as shown below. Put on the Blade and Insert the 1/4 x 1-1/8 Square Key supplied. Position the Blade flush with the end of the Fan Shaft and torque the Blade Set Screws to 150-165 IN-LBS.



Item	Description
1	Anti-Seize
2	Fan Shaft
3	Blade
4	5/16-24 x 1" SQHD Set Screw (48" Fans) 5/16-24 x 1" HXHD Set Screws (52" Fans)
5	1/4 x 1-1/8 Square Key

For further Installation procedures refer to MV1832 Installation and operators Instruction Manual.

Limited Warranty

Chore-Time Group, a division of CTB, Inc. ("Chore-Time") warrants new CHORE-TIME Cage and Cage Components manufactured by Chore-Time to be free from defects in material or workmanship under normal usage and conditions, for One (1) year from the date of installation by the original purchaser ("Warranty"). If such a defect is determined by Chore-Time to exist within the applicable period, Chore-Time will, at its option, (a) repair the Product or Component Part free of charge, F.O.B. the factory of manufacture or (b) replace the Product or Component Part free of charge, F.O.B. the factory of manufacture. This Warranty is not transferable, and applies only to the original purchaser of the Product.

CONDITIONS AND LIMITATIONS

THIS WARRANTY CONSTITUTES CHORE-TIME'S ENTIRE AND SOLE WARRANTY AND CHORE-TIME EXPRESSLY DISCLAIMS ANY AND ALL OTHER WARRANTIES, INCLUDING, BUT NOT LIMITED TO, EXPRESS AND IMPLIED WARRANTIES, INCLUDING, WITHOUT LIMITATION, WARRANTIES AS TO MERCHANTABILITY OR FITNESS FOR PARTICULAR PURPOSES. CHORE-TIME shall not be liable for any direct, indirect, incidental, consequential or special damages which any purchaser may suffer or claim to suffer as a result of any defect in the Product. Consequential or Special Damages as used herein include, but are not limited to, lost or damaged products or goods, costs of transportation, lost sales, lost orders, lost income, increased overhead, labor and incidental costs, and operational inefficiencies. *Some jurisdictions prohibit limitations on implied warranties and/or the exclusion or limitation of such damages, so these limitations and exclusions may not apply to you. This warranty gives the original purchaser specific legal rights. You may also have other rights based upon your specific jurisdiction.*

Compliance with federal, state and local rules which apply to the location, installation and use of the Product are the responsibility of the original purchaser, and CHORE-TIME shall not be liable for any damages which may result from non-compliance with such rules.

The following circumstances shall render this Warranty void:

- Modifications made to the Product not specifically delineated in the Product manual.
- Product not installed and/or operated in accordance with the instructions published by the CHORE-TIME.
- All components of the Product are not original equipment supplied by CHORE-TIME.
- Product was not purchased from and/or installed by a CHORE-TIME authorized distributor or certified representative.
- Product experienced malfunction or failure resulting from misuse, abuse, mismanagement, negligence, alteration, accident, or lack of proper maintenance, or from lightning strikes, electrical power surges or interruption of electricity.
- Product experienced corrosion, material deterioration and/or equipment malfunction caused by or consistent with the application of chemicals, minerals, sediments or other foreign elements.
- Product was used for any purpose other than for the care of poultry and livestock.

The Warranty and Extended Warranty may only be modified in writing by an officer of CHORE-TIME. CHORE-TIME shall have no obligation or responsibility for any representations or warranties made by or on behalf of any distributor, dealer, agent or certified representative.



Note: The original, authoritative version of this manual is the English version produced by CTB, Inc. or any of its subsidiaries or divisions, (hereafter collectively referred to as "CTB"). Subsequent changes to any manual made by any third party have not been reviewed nor authenticated by CTB. Such changes may include, but are not limited to, translation into languages other than English, and additions to or deletions from the original content. CTB disclaims responsibility for any and all damages, injuries, warranty claims and/or any other claims associated with such changes, inasmuch as such changes result in content that is different from the authoritative CTB-published English version of the manual. For current product installation and operation information, please contact the customer service and/or technical service departments of the appropriate CTB subsidiary or division. Should you observe any questionable content in any manual, please notify CTB immediately in writing to: CTB Legal Department, P.O. Box 2000, Milford, IN 46542-2000 USA.

Revisions to this Manual

Page No.	Description of Change
Various	Removed Screen Assembly information. Updated Warranty and Contact Info.

Chore-Time Group
A division of CTB, Inc.
PO Box 2000
Milford, Indiana 46542-2000 USA
Phone (574) 658-4101 Fax (877) 730-8825
E-mail: poultry@choretime.com
Internet: www.choretimepoultry.com