



52" Turbo® Hyflo® Door Framing Instruction

Ensure that the rough opening is flat, large enough, and square. Check the corner to corner measurements for the rough opening (See **Figure 1**). Also check that the bottom plate of the rough opening is flat (not bowed) as shown in **Figure 2**.

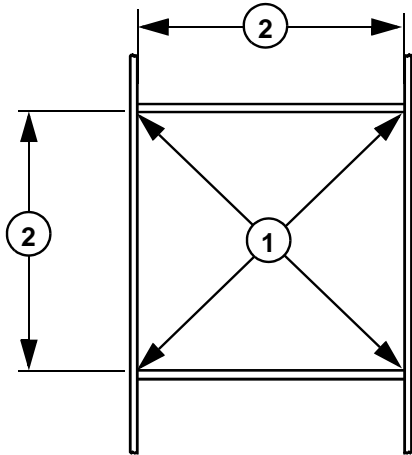


Figure 1. Ideal Rough Opening Dimensions

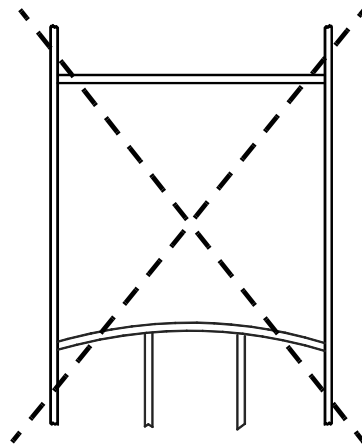
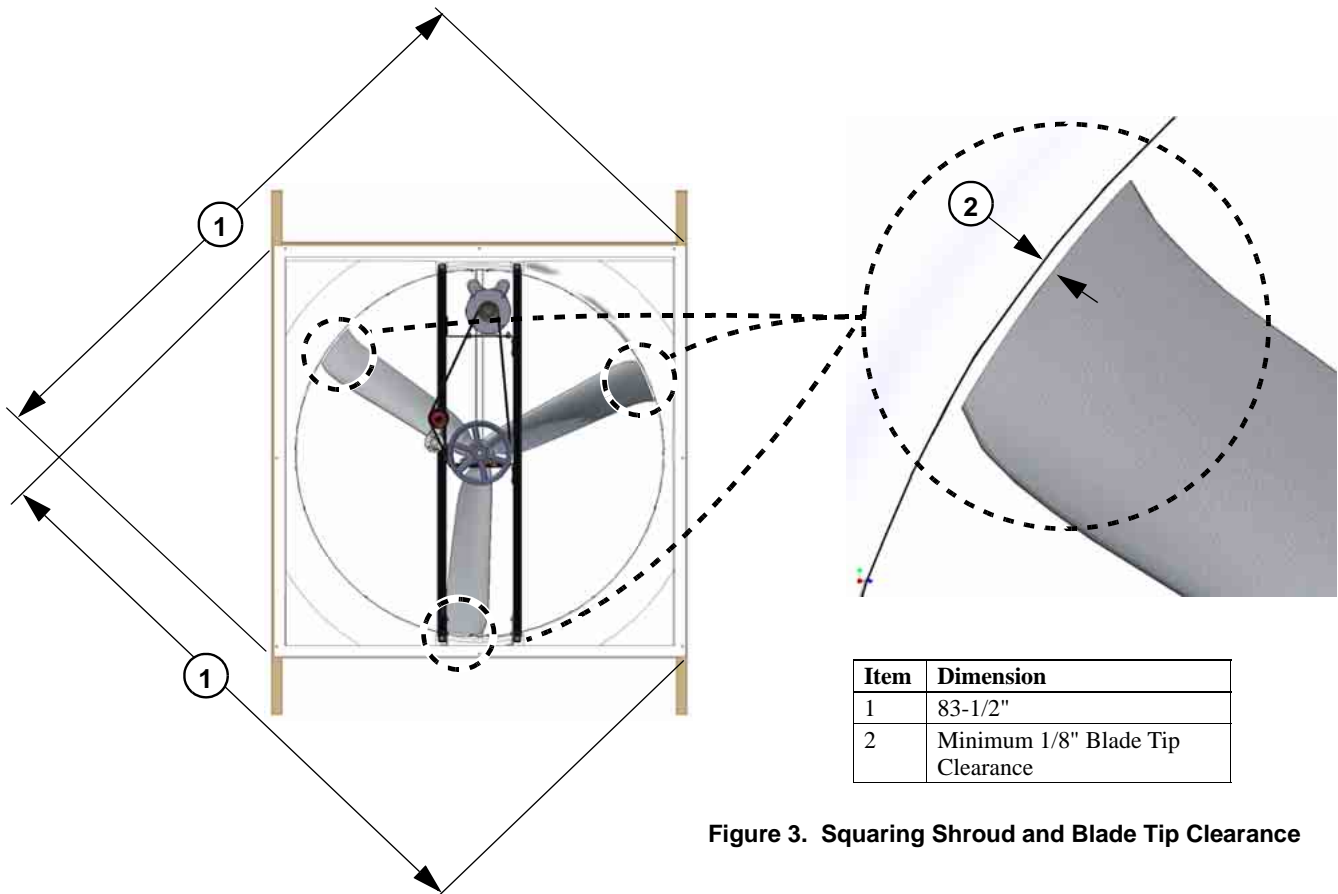


Figure 2. Bottom Plate not Bowed

Item	Dimension
1	Ideal dimension 79-7/8" Minimum dimension 79-5/8"
2	Ideal dimension 56-1/2" Minimum dimension 56-1/8"

After putting the Fan in the rough opening, check that it is square by measuring from corner to corner of the Fan Housing. It should measure 83-1/2" (See **Figure 3**). Also check that there is at least 1/8" Clearance between each of the Fan Blade Tips and the Shroud (See **Figure**). If there is not 1/8" Blade Tip Clearance see **page 2**.



Item	Dimension
1	83-1/2"
2	Minimum 1/8" Blade Tip Clearance

Figure 3. Squaring Shroud and Blade Tip Clearance

If Blade Tip Clearance is less than 1/8" at locations A,B,C, or D in **Figure 4 below**, then shift the housing in the directions shown before installing Lag Screws.

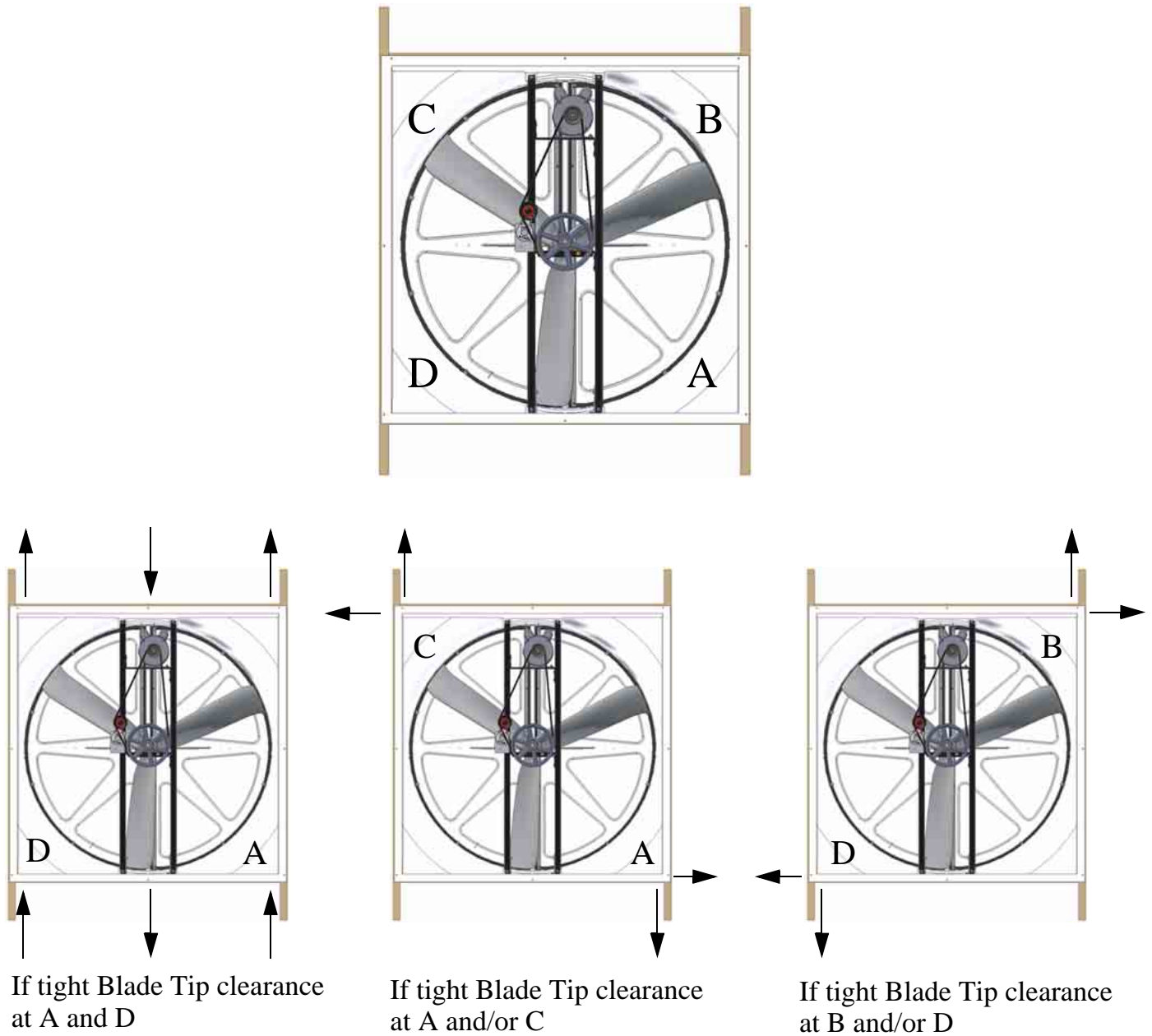


Figure 4. Correcting Tight Blade Tip Clearance

CTB Inc.
P.O. Box 2000 • Milford, Indiana 46542-2000 • U.S.A.
Phone (574) 658-4101 • Fax (877) 730-8825
E-Mail: ctb@ctbinc.com • Internet: <http://www.ctbinc.com>
Printed in the U.S.A.