



Wind Diverter (53057) Installation & Operator's Instruction Manual

Carefully read all safety messages in this manual and on your equipment safety signs. Follow recommended precautions and safe operating practices. Keep safety signs in good condition. Replace missing or damaged safety signs.

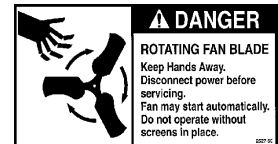
DANGER: Electrical Hazard

Disconnect electrical power before inspecting or servicing equipment. Ground all electrical equipment for safety. All electrical wiring must be done by a qualified electrician in accordance with local and national electric codes. Ground all non-current carrying metal parts to guard against electrical shock. With the exception of motor overload protection, electrical disconnects and over current protection are not supplied with the equipment.



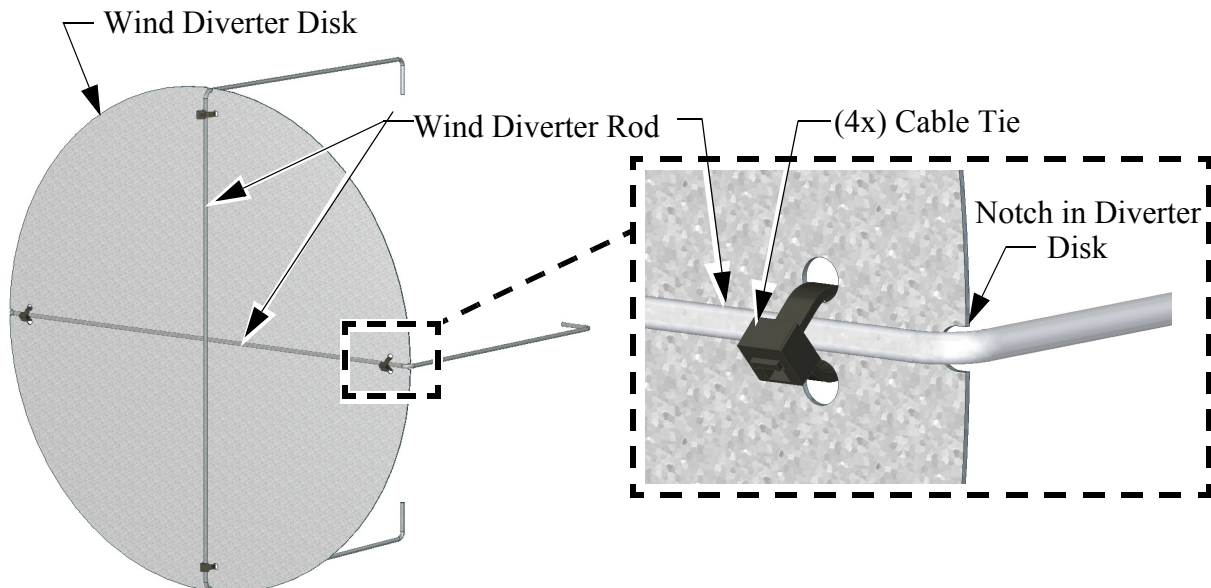
DANGER: Rotating Fan Blade

Keep Hands away. Disconnect power before servicing. Fan may start automatically. Do not operate the Fan without the screens in place. Disregard to these things will cause serious injury including death.



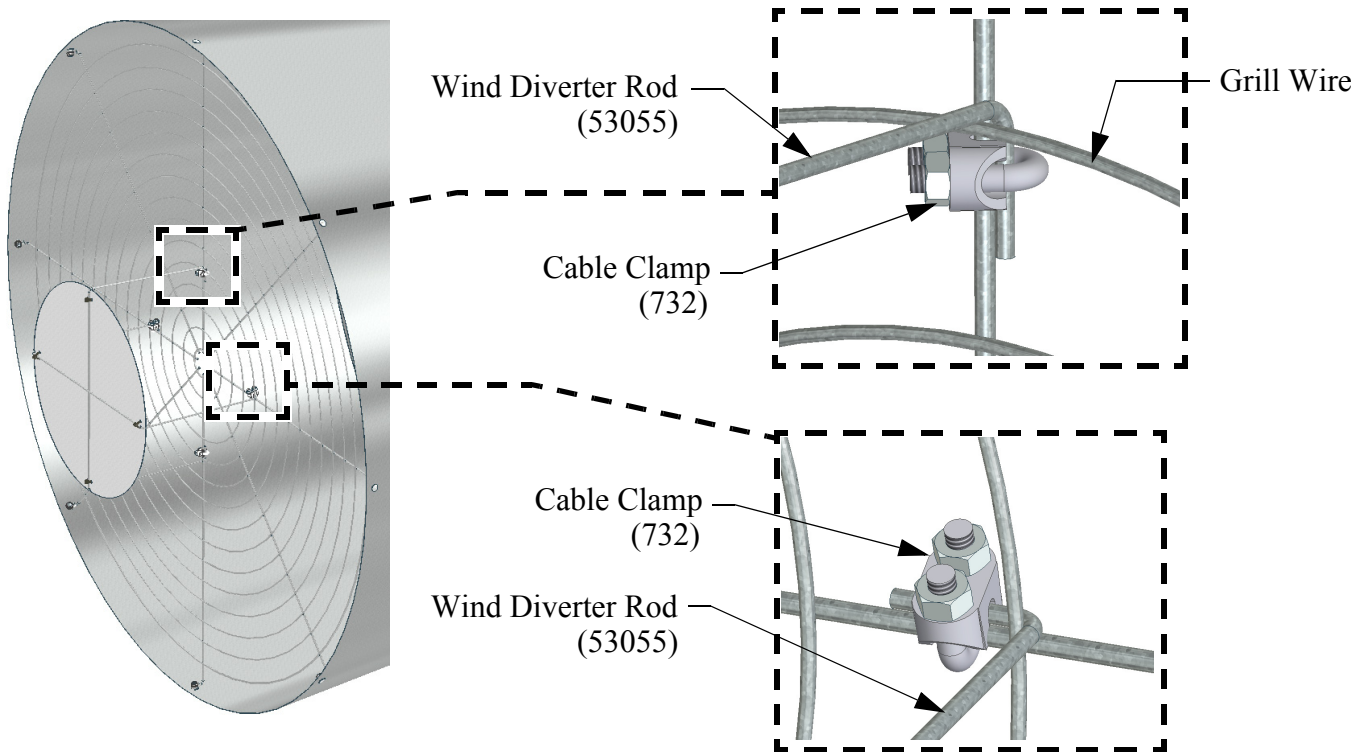
Assembly

Step 1: Insert the Wind Diverter Rods into the Notches in the Wind Diverter Disk and fasten them using Cable Ties as shown.

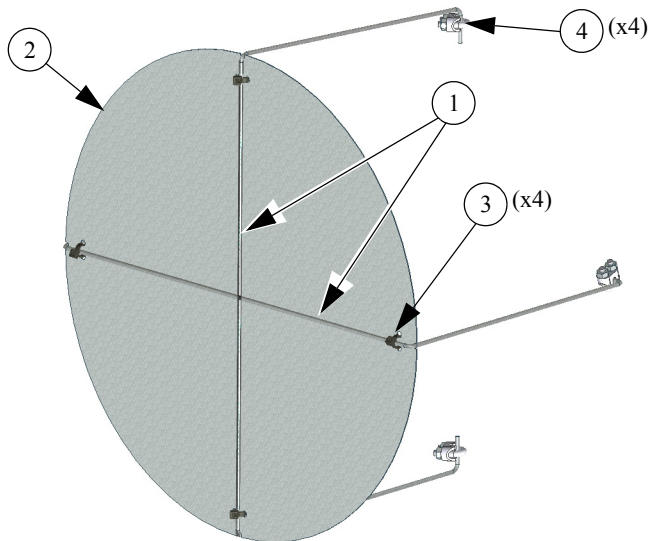


P.O. Box 2000 • Milford, Indiana 46542-2000 • U.S.A.
Phone (574) 658-4101 • Fax (877) 730-8825
E-Mail: ctb@ctbinc.com • Internet: <http://www.ctbinc.com>
Printed in the U.S.A.

Step 2: Center the Wind Diverter Disk (53054) on the Fan Grill and Attach the Wind Diverter Rods (53055) to the Grill with Cable Clamps (732) as shown.



Part Numbers



Item	Description	Part No.
1	Wind Diverter Rod	53055
2	Wind Diverter Disc	53054
3	Cable Tie	48103
4	Cable Clamp	732

Contact your nearby Chore-Time distributor or representative for additional parts and information.
CTB Inc.

P.O. Box 2000 • Milford, Indiana 46542-2000 • U.S.A.

Phone (574) 658-4101 • Fax (877) 730-8825

E-Mail: ctb@ctbinc.com • Internet: <http://www.ctbinc.com>

Printed in the U.S.A.