



52" TURBO[®] Fan with HYFLO[®] Door 4 Piece Cone Retrofit

INSTALLATION MANUAL



CTB, Inc.
PO Box 2000
Milford, Indiana 46542-2000 USA
Phone (574) 658-4101 Fax (877) 730-8825
E-mail: choretime@choretime.com
Internet: www.choretime.com

Safety Information

DANGER: Electrical Hazard

Disconnect electrical power before inspecting or servicing equipment unless maintenance instructions specifically state otherwise. Ground all electrical equipment for safety. All electrical wiring must be done by a qualified electrician in accordance with local and national electric codes. Ground all non-current carrying metal parts to guard against electric shock. With the exception of motor overload protection. Electrical disconnects and over current protection are not supplied with the equipment.



DANGER: Rotating Fan Blade

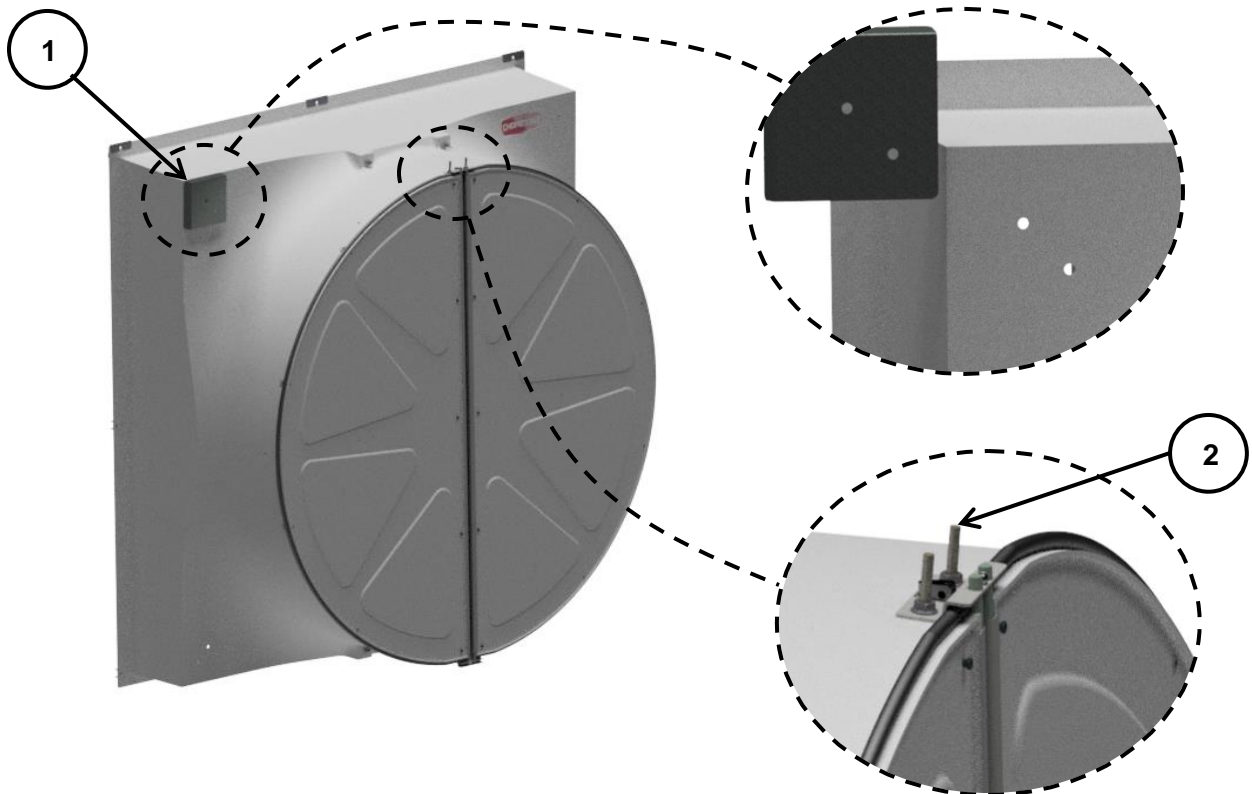
Keep hands away. Disconnect power before servicing. Fan may start automatically. Do not operate fan without screens in place. Disregard to these dangers may cause serious injury or death.

- Keep all safety signs and decals in good legible condition
- Replace damaged or missing decals.



Preparing the Fan Shroud

- A) Using a 5/16" bit, drill two holes in each corner of the fan shroud if not already present. If holes are not present, check for small dimples in each corner in order to pinpoint hole locations. There may be two dimples in each corner approximately 2" from each other. If no dimples are found, use the Drill Template (**Item 1**).

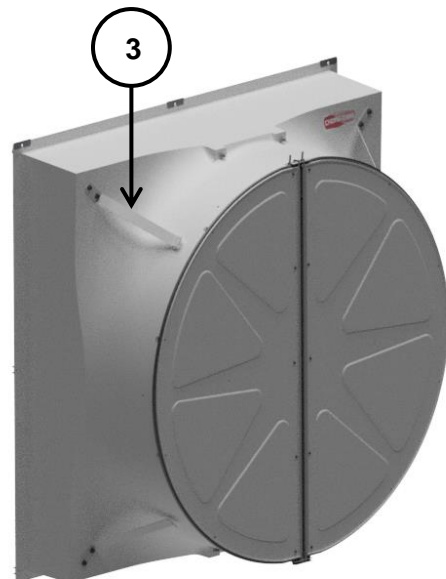


- B) Replace the bolts on the top of the shroud orifice with two longer bolts (**Item 2**) included in the hardware package. If longer bolts are already installed, move on to the next step.

- C) Mount the four corner brackets (**Item 3**) using two bolts (**54287**) and two nuts (**46764**) per corner. The bolts should be sticking into the fan shroud. The nuts will need to be tightened from the inside.



Full Scale Hardware

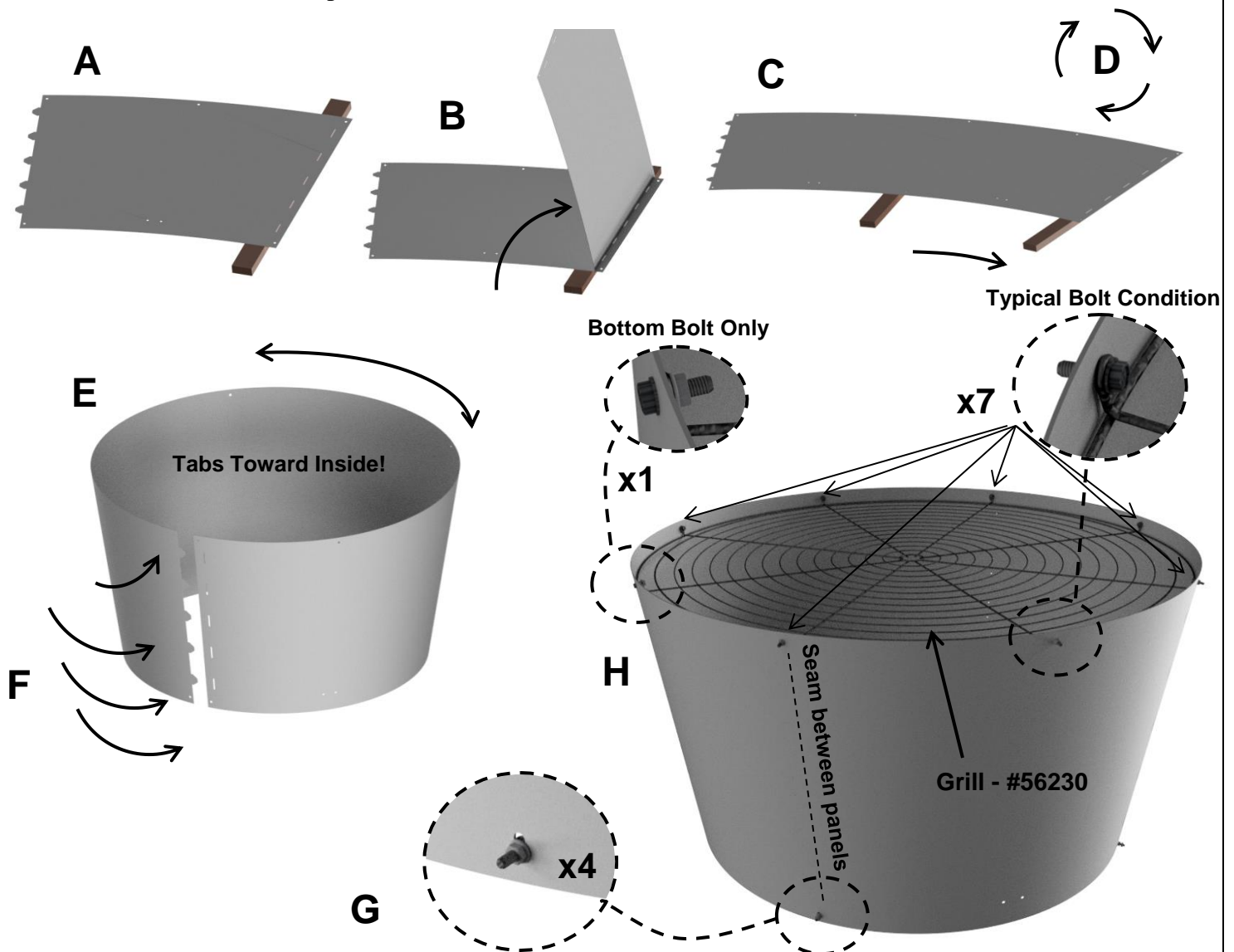


Assembling the Cone

- A) Lay one panel flat with the tabs oriented to the left. Place a 2x4 or similar underneath the panel just left of the slots on the right side.
- B) Place tabs of a second panel into the slots of the first and ensure they 'pop' together fully.
- C) Lay this second panel flat then move the 2x4 over just to the left of the slots again.
- D) Repeat these steps until all four panels are locked together.
- E) Lift the panels up and curl them into a ring so that the larger diameter is upwards.
- F) Snap the tabs of the first panel into the slots of the fourth panel.

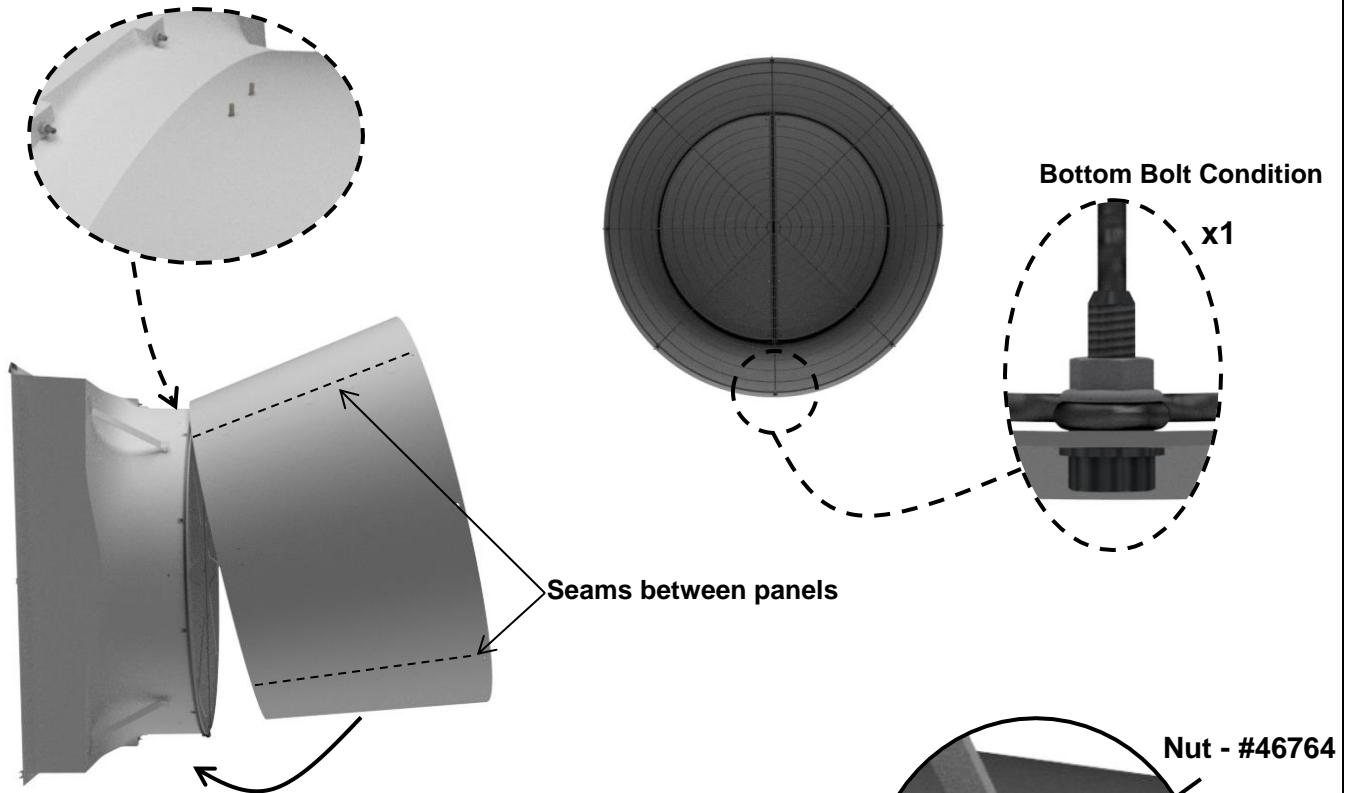
a. Ensure all tabs are toward inside of cone!

- G) Fasten all four bottom holes with (54287) bolts and (46764) nuts making sure the bolt heads are on the inside of the cone and the threads are sticking to the outside.
- H) Place the grill (56230) inside the cone and secure with eight more (46764) nuts and (54287) bolts. Make sure seven of these bolts are oriented with the head inside the cone and threads outside. The eighth bolt will be the bottom of the cone. It must be attached with threads inside the cone and head outside the cone. It should not be on any of the four seams between panels.



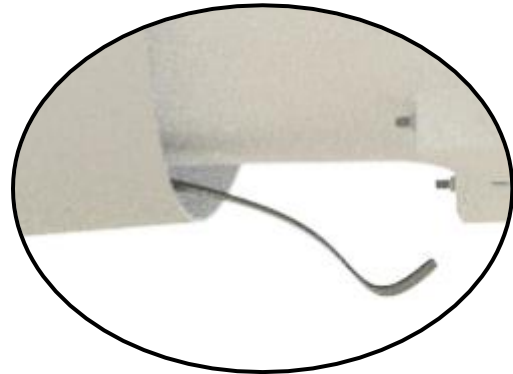
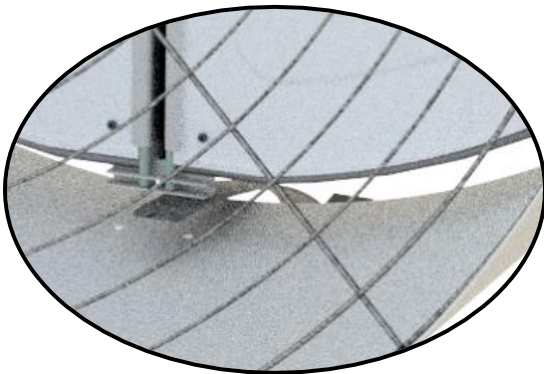
Mounting the Cone

- A) Pick up the assembled cone and hang it on the top two bolts. Make sure the four seams are oriented towards the four corners of the fan shroud. The one bolt with threads toward the inside of the cone should be at the bottom of the cone.



- B) Fasten the top two corner brackets over the bolt threads and secure using additional (46764) nuts.

- C) With a thin piece of metal or a crowbar, work the cone around the shroud orifice and over the bottom plate.



- D) Secure the bottom two corner brackets with two additional (46764) nuts.

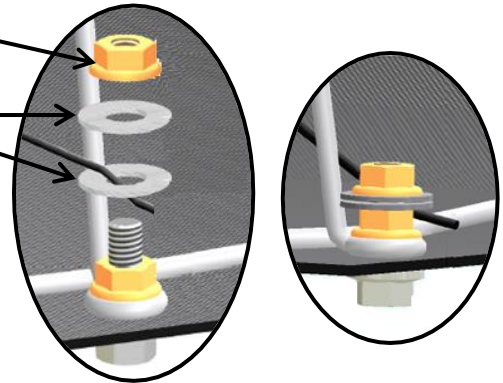
Attaching the Cable Assembly

- A) Secure the door stop cable assembly to the bottom bolt of the cone using two washers (ST99070) and one nut (46764).

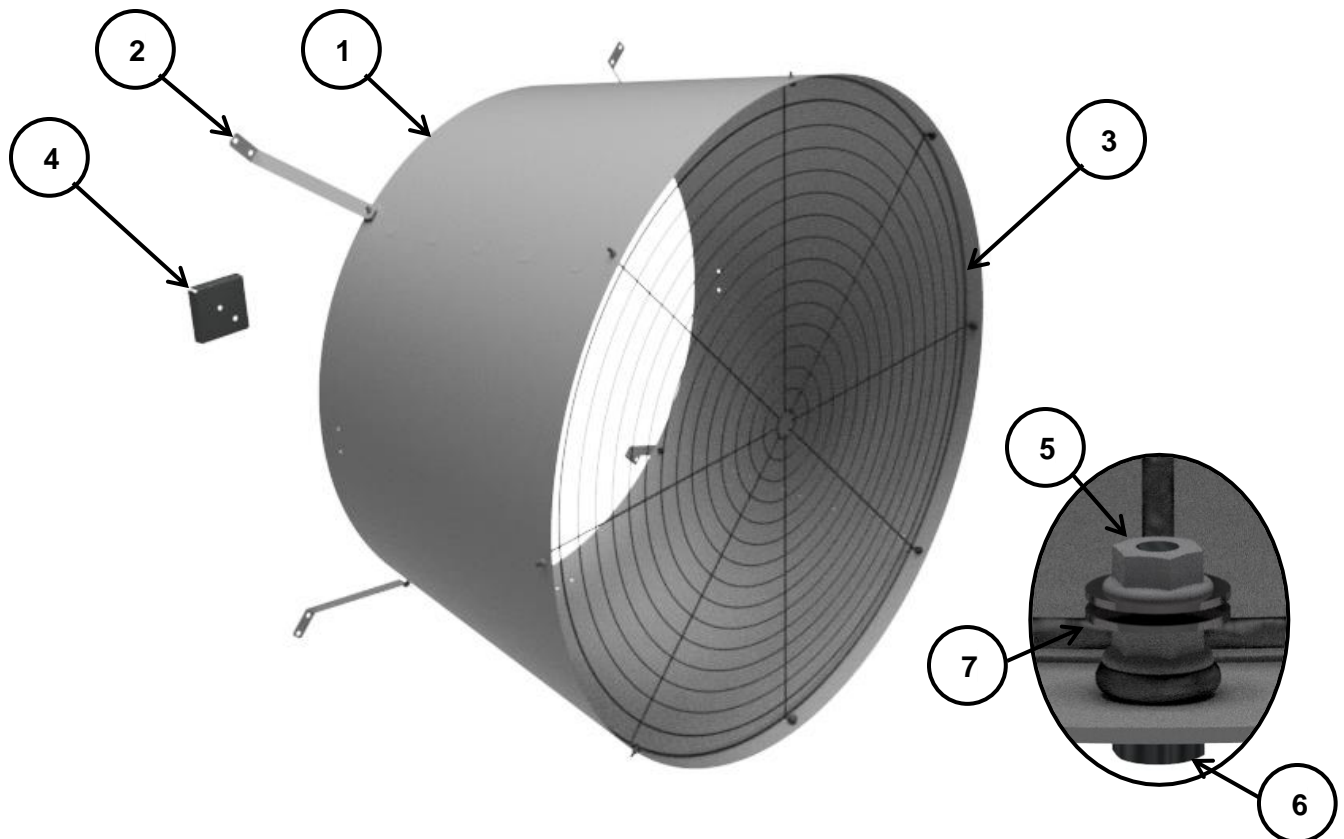


Washer - #ST99070

Nut - #46764



Part Numbers



Item	Part No.	Description	Qty.
1	53184*	CONE PANEL 52" FAN, 64" OD	4
2	53185	BRACKET, 52" HYFLO TURBO CONE	4
3	56230	GRILL, 64" OD BLACK	1
4	56255	TEMPLATE, 52" HYFLO TURBO 4 PC CONE	1
5	46764	NUT, HX SERRATED FLANGE SS 5/16-18	25
6	52784	BOLT, 5/16-18 X 1 HXWH SHLDR SS	1
7	ST99070	WASHER, FLAT .38 SS	2
- All parts above can be ordered under kit number 56256* *Add "B" to end of part number for black color option			

Limited Warranty

Chore-Time Group, a division of CTB, Inc. (“Chore-Time”) warrants new CHORE-TIME Turbo® Fans manufactured by Chore-Time to be free from defects in material or workmanship under normal usage and conditions, for One (1) year from the date of installation by the original purchaser (“Warranty”). Chore-Time provides for an extension of the aforementioned Warranty period (“Extended Warranty Period”) with respect to certain Product parts (“Component Part”) as set forth in the table below. If such a defect is determined by Chore-Time to exist within the applicable period, Chore-Time will, at its option, (a) repair the Product or Component Part free of charge, F.O.B. the factory of manufacture or (b) replace the Product or Component Part free of charge, F.O.B. the factory of manufacture. This Warranty is not transferable, and applies only to the original purchaser of the Product.

Component Part	Extended Warranty Period
Polyethylene Cone	Three years from date of installation

CONDITIONS AND LIMITATIONS

THIS WARRANTY CONSITITUES CHORE-TIME’S ENTIRE AND SOLE WARRANTY AND CHORE-TIME EXPRESSLY DISCLAIMS ANY AND ALL OTHER WARRANTIES, INCLUDING, BUT NOT LIMITED TO, EXPRESS AND IMPLIED WARRANTIES, INCLUDING, WITHOUT LIMITATION, WARRANTIES AS TO MERCHANTABILITY OR FITNESS FOR PARTICULAR PURPOSES. CHORE-TIME shall not be liable for any direct, indirect, incidental, consequential or special damages which any purchaser may suffer or claim to suffer as a result of any defect in the Product. Consequential or Special Damages as used herein include, but are not limited to, lost or damaged products or goods, costs of transportation, lost sales, lost orders, lost income, increased overhead, labor and incidental costs, and operational inefficiencies. *Some jurisdictions prohibit limitations on implied warranties and/or the exclusion or limitation of such damages, so these limitations and exclusions may not apply to you. This warranty gives the original purchaser specific legal rights. You may also have other rights based upon your specific jurisdiction.*

Compliance with federal, state and local rules which apply to the location, installation and use of the Product are the responsibility of the original purchaser, and CHORE-TIME shall not be liable for any damages which may result from non-compliance with such rules.

The following circumstances shall render this Warranty void:

- Modifications made to the Product not specifically delineated in the Product manual.
- Product not installed and/or operated in accordance with the instructions published by CHORE-TIME.
- All components of the Product are not original equipment supplied by CHORE-TIME.
- Product was not purchased from and/or installed by a CHORE-TIME authorized distributor or certified representative.
- Product experienced malfunction or failure resulting from misuse, abuse, mismanagement, negligence, alteration, accident, or lack of proper maintenance, or from lightning strikes, electrical power surges or interruption of electricity.
- Product experienced corrosion, material deterioration and/or equipment malfunction caused by or consistent with the application of chemicals, minerals, sediments or other foreign elements.
- Product was used for any purpose other than for the care of poultry and livestock.

The Warranty and Extended Warranty may only be modified in writing by an officer of CHORE-TIME. CHORE-TIME shall have no obligation or responsibility for any representations or warranties made by or on behalf of any distributor, dealer, agent or certified representative.



Note: The original, authoritative version of this manual is the [English] version produced by CTB, Inc. or any of its subsidiaries or divisions, (hereafter collectively referred to as “CTB”). Subsequent changes to any manual made by any third party have not been reviewed nor authenticated by CTB. Such changes may include, but are not limited to, translation into languages other than [English], and additions to or deletions from the original content. CTB disclaims responsibility for any and all damages, injuries, warranty claims and/or any other claims associated with such changes, inasmuch as such changes result in content that is different from the authoritative CTB-published [English] version of the manual. For current product installation and operation information, please contact the customer service and /or technical service departments of the appropriate CTB subsidiary or division. Should you observe any questionable content in any manual, please notify CTB immediately in writing to: CTB Legal Department, P.O. Box 2000, Milford, IN 46542-2000 USA.

MADE TO WORK.

BUILT TO LAST.®

COUNT ON IT.™

Revisions to this Manual

Page No.	Description of Change	ECO
1	Added “Retrofit” to Title	34073

CTB, Inc.
PO Box 2000
Milford, Indiana 46542-2000 USA
Phone (574) 658-4101 Fax (877) 730-8825
E-mail: choretime@choretime.com
Internet: www.choretime.com