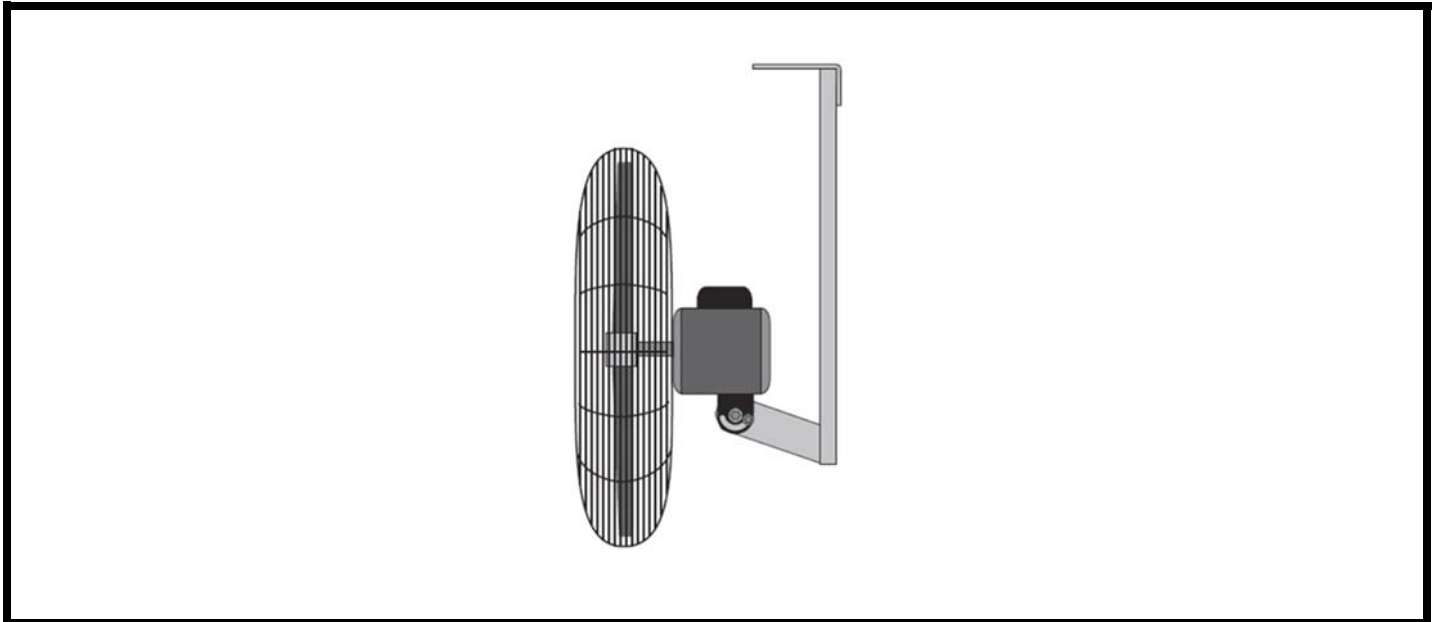
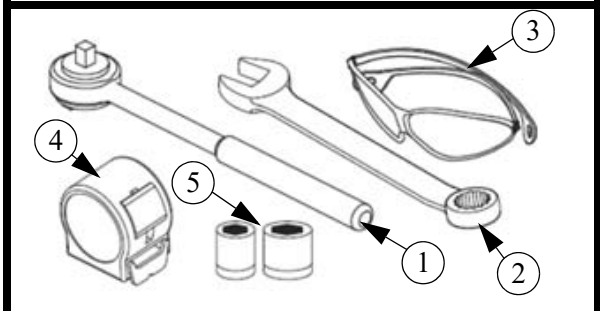


20" Basket Fan (51702)

Installation and Operators Instruction Manual

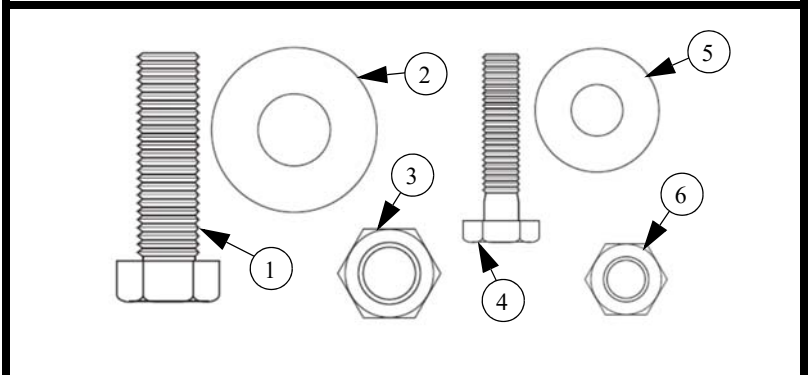


Recommended Tools for Assembly (Not Provided)



Item	Description
1	Socket Wrench
2	7/16" & 9/16" Combination Wrench
3	Safety Glasses
4	Measuring Tape
5	7/16" & 9/16" Socket

Included Assembly Hardware-Full Scale



Item	Qty.	Description	Item	Qty	Description
1	1	3/8" x 1-1/4" Hex Bolt	4	1	1/4" x 1" Bolt
2	2	3/8" Flat Washer	5	2	1/4" Flat Washer
3	1	3/8" Nylock Nut	6	1	1/4" Nylock Nut

Please read over all instructions carefully before you begin. For additional parts and information, contact your nearest Chore-Time distributor or representative. Find your nearest distributor at: www.choretime.com/contacts

Limited Warranty

LIMITED WARRANTY

Chore-Time Group, a division of CTB, Inc. ("Chore-Time") warrants new CHORE-TIME Fans manufactured by Chore-Time to be free from defects in material or workmanship under normal usage and conditions, for One (1) year from the date of installation by the original purchaser ("Warranty"). Chore-Time provides for an extension of the aforementioned Warranty period ("Extended Warranty Period") with respect to certain Product parts. If such a defect is determined by Chore-Time to exist within the applicable period, Chore-Time will, at its option, (a) repair the Product or Component Part free of charge, F.O.B. the factory of manufacture or (b) replace the Product or Component Part free of charge, F.O.B. the factory of manufacture. This Warranty is not transferable, and applies only to the original purchaser of the Product.

CONDITIONS AND LIMITATIONS

THIS WARRANTY CONSTITUTES CHORE-TIME'S ENTIRE AND SOLE WARRANTY AND CHORE-TIME EXPRESSLY DISCLAIMS ANY AND ALL OTHER WARRANTIES, INCLUDING, BUT NOT LIMITED TO, EXPRESS AND IMPLIED WARRANTIES, INCLUDING, WITHOUT LIMITATION, WARRANTIES AS TO MERCHANTABILITY OR FITNESS FOR PARTICULAR PURPOSES. CHORE-TIME shall not be liable for any direct, indirect, incidental, consequential or special damages which any purchaser may suffer or claim to suffer as a result of any defect in the Product. Consequential or Special Damages as used herein include, but are not limited to, lost or damaged products or goods, costs of transportation, lost sales, lost orders, lost income, increased overhead, labor and incidental costs, and operational inefficiencies. *Some jurisdictions prohibit limitations on implied warranties and/or the exclusion or limitation of such damages, so these limitations and exclusions may not apply to you. This warranty gives the original purchaser specific legal rights. You may also have other rights based upon your specific jurisdiction.*

Compliance with federal, state and local rules which apply to the location, installation and use of the Product are the responsibility of the original purchaser, and CHORE-TIME shall not be liable for any damages which may result from non-compliance with such rules.

The following circumstances shall render this Warranty void:

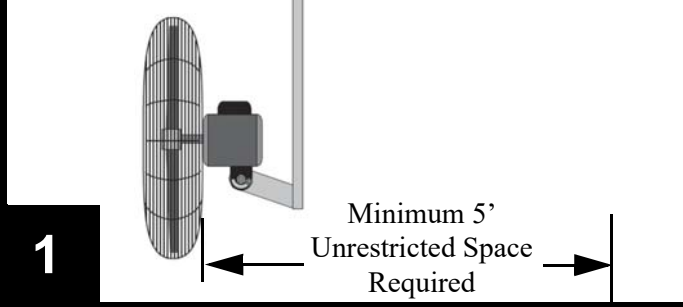
- Modifications made to the Product not specifically delineated in the Product manual.
- Product not installed and/or operated in accordance with the instructions published by the CHORE-TIME.
- All components of the Product are not original equipment supplied by CHORE-TIME.
- Product was not purchased from and/or installed by a CHORE-TIME authorized distributor or certified representative.
- Product experienced malfunction or failure resulting from misuse, abuse, mismanagement, negligence, alteration, accident, or lack of proper maintenance, or from lightning strikes, electrical power surges or interruption of electricity.
- Product experienced corrosion, material deterioration and/or equipment malfunction caused by or consistent with the application of chemicals, minerals, sediments or other foreign elements.
- Product was used for any purpose other than for the care of poultry and livestock.
-

The Warranty and Extended Warranty may only be modified in writing by an officer of CHORE-TIME. CHORE-TIME shall have no obligation or responsibility for any representations or warranties made by or on behalf of any distributor, dealer, agent or certified representative.

Effective: April 2014

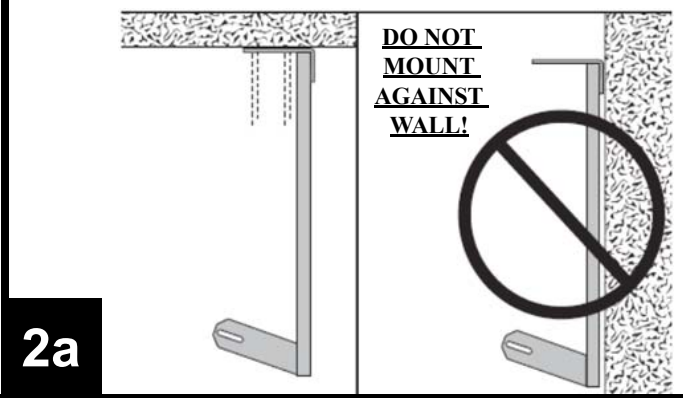
Installation

It is important to select a proper location when mounting your circulation fan. You must provide a minimum of 5' unrestricted air flow on the back side of the fan. Failure to provide the space needed for airflow may reduce motor life and void the warranty.



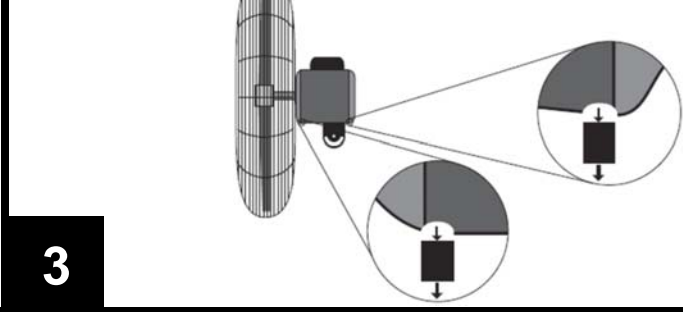
1

If mounting bracket to structure, verify anchor points are strong enough for added weight of bracket and fan. Attach top of bracket to structure with (4) washers and (4) screws or bolts with nylock nuts (not provided) suitable for your structure. **DO NOT** attach bracket to or against wall as this will not give motor enough unrestricted air flow. (For pipe mount instructions see page 5.)



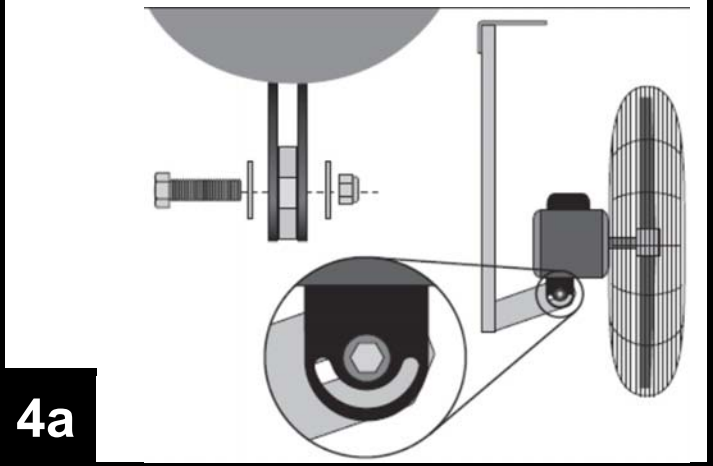
2a

Prep motor for use by removing the 2 drain plugs located on the bottom (flag mount) side of the motor. Removal of these plugs allows for drainage of any moisture that might get inside the motor. **DO NOT** remove the plugs on the top (capacitor) side of motor. Removal of these plugs will void warranty and allow dirt and moisture into the motor, reducing the life of the motor.

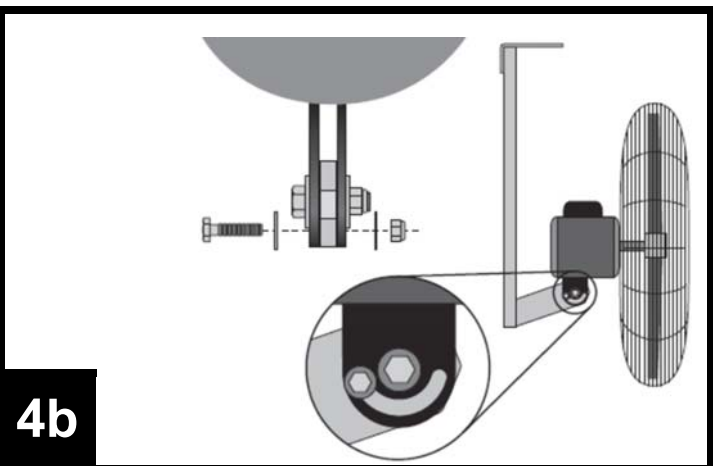


3

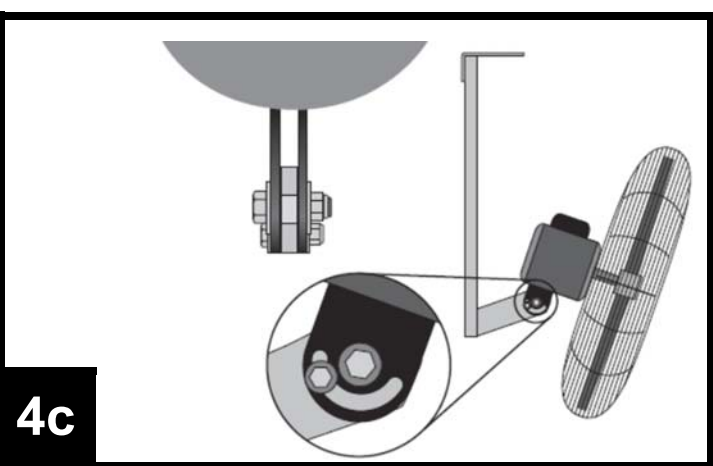
Attach fan to bracket. Insert bracket flag in between the motor flags and secure using the center holes on the motor flags with (1) 3/8" x 1-1/4" hex bolt, (2) 3/8" washers and (1) 3/8" nylock nut as shown in step 4a. Using the crescent openings on the motor flags, install the (1) 1/4" x 1" hex bolt, (2) 1/4" washers and (1) 1/4" nylock nut as shown in step 4b. Adjust the fan to the desired angle and tighten hardware to secure fan angle.



4a



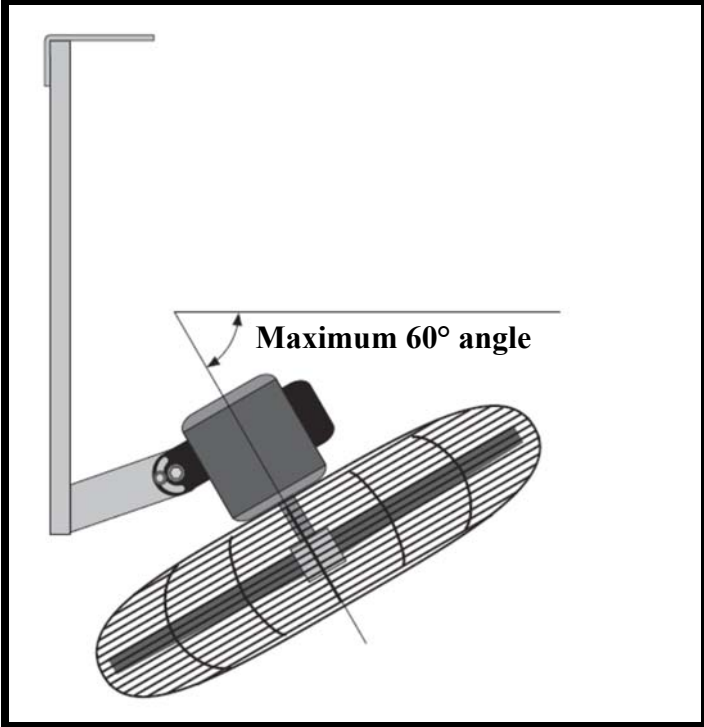
4b



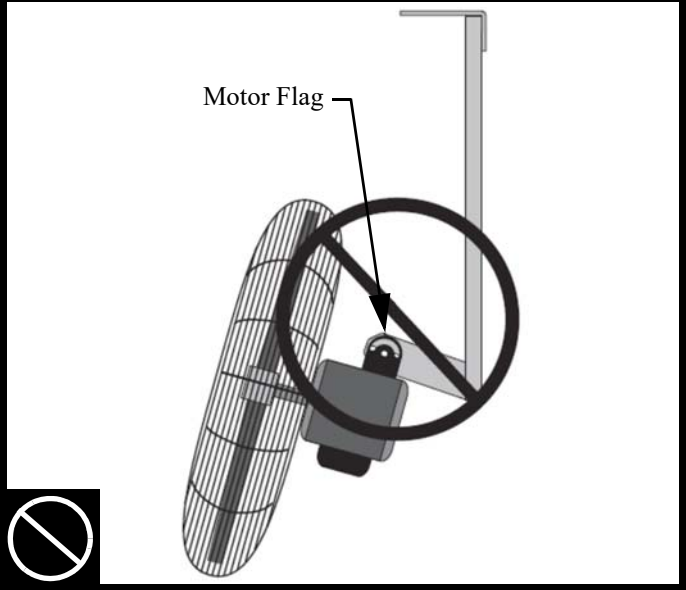
4c

Additional Clarifications and Warnings

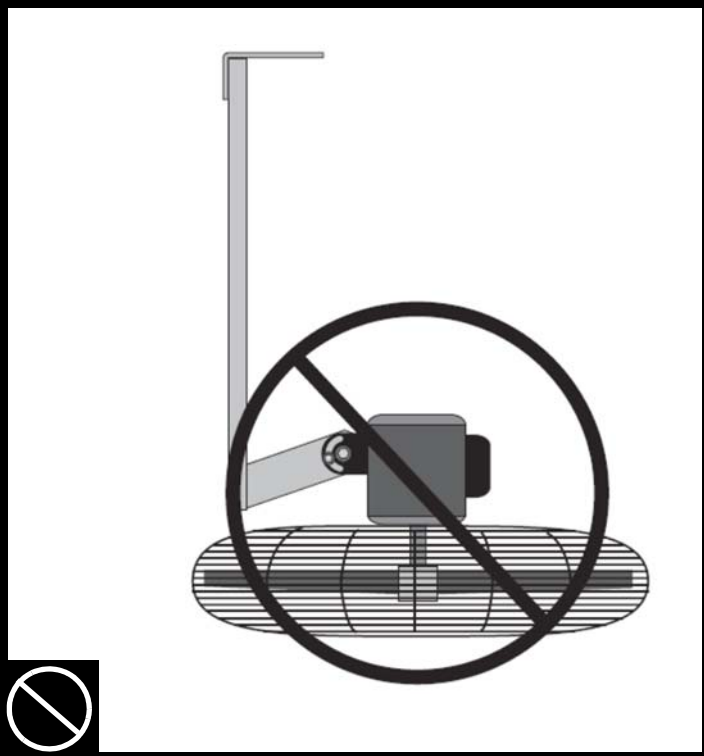
Do NOT operate fan with the motor mounted at an angle larger than 60° from horizontal. This will void the warranty.



Do NOT mount fan with the motor flag mount pointed upward as shown below. This can cause moisture to build up in the capacitor cap and motor housing and cause a short. Mounting the fan this way will void the warranty.

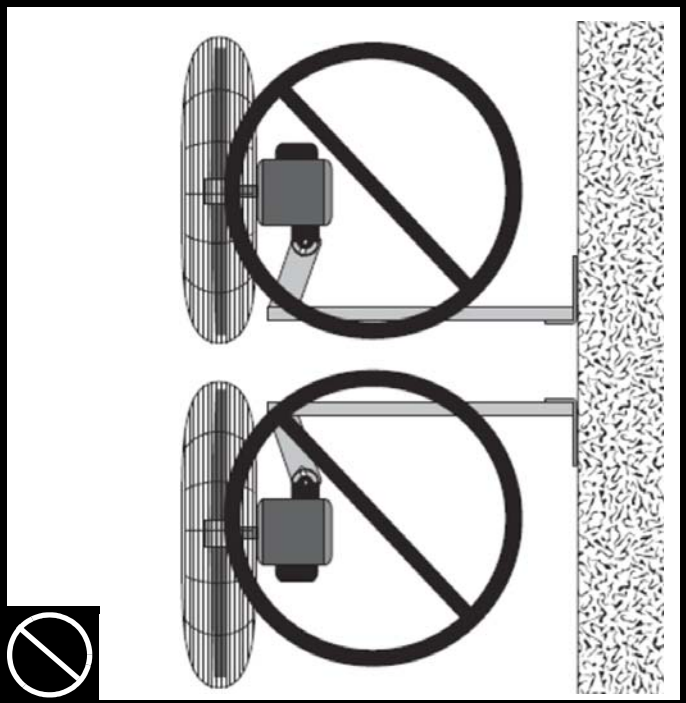


Do NOT operate the fan with the motor mounted in a vertical orientation, or at any angle larger than 60° from horizontal as shown above. Mounting the fan this way will void the warranty.

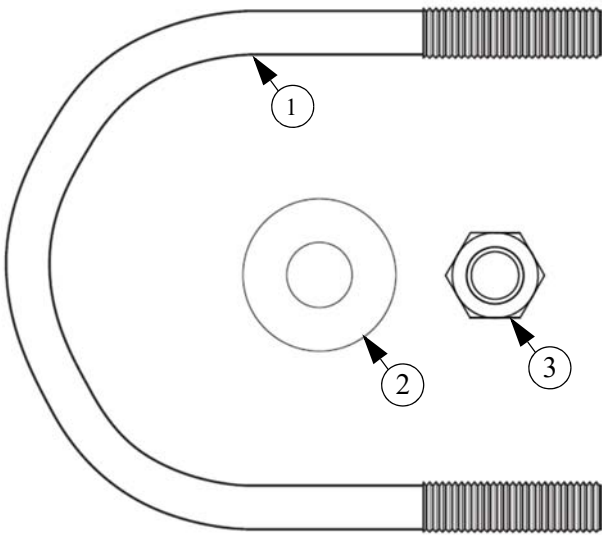


Do NOT mount bracket horizontally. The included bracket was not designed to be mounted this way and cannot withstand the structural stress caused by the weight and movement of the fan. Mounting the bracket and fan this way will void the warranty.

Your local dealer has a wide variety of horizontal brackets and additional options for mounting. Contact your local dealer for more information.



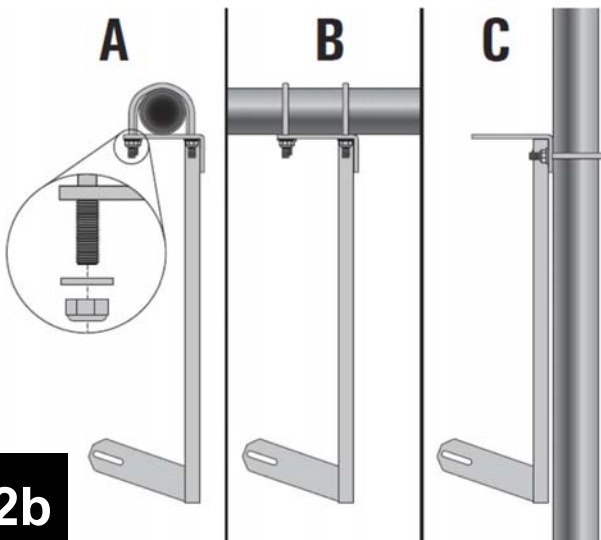
Additional Included Hardware for Some Basket Fan Models-Full Scale



Item	Qty.	Description
1	2	5/16 x 2-1/2" ID U-Bolt
2	4	5/16" Flat Washer
3	4	5/16" Nylock Nut



Using the installation hardware shown above you can mount the included bracket as shown below. Drawing "C" is acceptable without contradicting the space requirement mentioned in step 1 on page 2 as long as there is nothing behind the pipe to impede air flow. Use (2) 5/16" flat washers and (2) 5/16" nylock nuts for each u-bolt used, assembled as shown below in drawing A.



2b

⚠ DISCONNECT POWER BEFORE INSTALLING OR SERVICING. ⚠

ALL ELECTRICAL WORK SHOULD BE COMPLETED BY QUALIFIED PERSONNEL AND MEET NATIONAL (NEC), REGIONAL, AND LOCAL ELECTRIC CODES

Providing Power to Fan

Instructions for corded models

- Provide a grounded outlet that meets or exceeds the load capability for your fan.

Wiring Instructions for non corded models

- Wiring should only be performed by a trained electrician to prevent injury or death.
- Install manual disconnect switch inside building adjacent to fan.
- Route wire to motor with drip loop and secure. Drip loop will drain accumulated moisture away from the motor.
- Configure internal wires to match supply voltage and wire according to motor nameplate. Test to verify correct rotation.
- Only permit power to unit when guard and motor's cover plate is properly installed to prevent injury.

Maintenance Instructions

- Disconnect power before cleaning or maintaining your fan in order to prevent serious injury or death.
- Service and repair of fan should only be completed by a qualified technician.
- For maximum efficiency and fan life, keep the following free from dirt and dust: blades, motor and guard.
- The totally enclosed air over motor has sealed ball bearings and does not require additional oil.

Optional Brackets for Flag Mount Basket Fans

Fan Size	Description
Side Mount Brackets	
12"-36" [30.5cm-91.4cm]	42" Extended Bracket, fits Sq. or Round Up Post
12"-36" [30.5cm-91.4cm]	42" Extended Bracket, fits 3" Tube-Bolt On
12"-36" [30.5cm-91.4cm]	42" Extended Bracket fits 4" Tube -Bolt On
12"-36" [30.5cm-91.4cm]	42" Extended Bracket, 4-1/2" Tube-Bolt On
12"-36" [30.5cm-91.4cm]	Wall Mount Bracket
Ceiling Mount Brackets	
12"-24" [30.5cm-70cm]	6-Way Bracket
36" [91.4cm]	6 Way Bracket
Pole Mount Bracket	
12"-36" [30.5cm-91.4cm]	Pole Bracket, fits 4" to 4-1/2" Tube
12"-36" [30.5cm-91.4cm]	Pole Bracket, fits 3" to 3-1/2" Tube

Bolt on Round Tube Pole Mount Bracket



6 Way Ceiling Mount Bracket



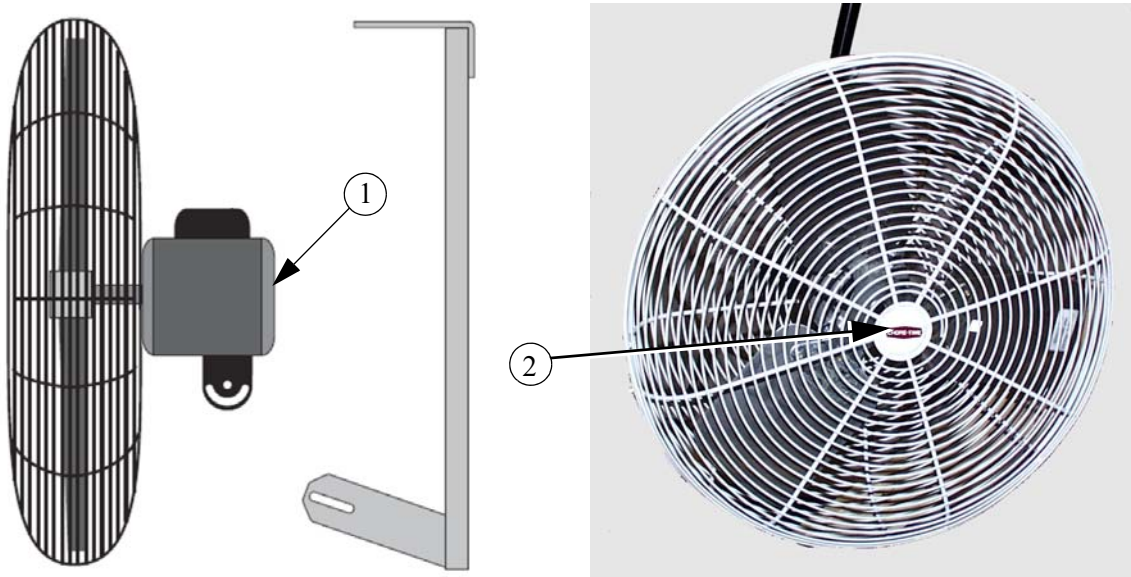
Bolt on Round Tube Side Mount Bracket



Square or Round Post Side Mount Bracket



Parts Listing



20" Basket Fan (Part No. 51702)			
Item	Description	Qty.	Part No.
1	Motor, 1PH, 60Hz, 115/230V	1	53208
2	Decal, CT Round Fan	1	ST79001
-	Capacitor	1	55338



For additional parts and information, contact your nearest Chore-Time distributor or representative.
 Find your nearest distributor at: www.choretime.com/contacts

Chore-Time Group, A division of CTB, Inc.
 PO Box 2000
 Milford, Indiana 46542-2000 USA
 Phone (574) 658-4101 Fax (877) 730-8825
 Email: choretime@choretime.com
 Internet: www.choretime.com