

**48" Galvanized Slant Wall
Direct Drive Fan
Installation & Operator's Instruction Manual**

Chore-Time Warranty

Chore-Time Equipment warrants each new product manufactured by it to be free from defects in material or workmanship for one year from the date of initial installation by the original purchaser. If such a defect is found by Chore-Time to exist within the one year period, Chore-Time will, at its option, (a) repair or replace such product free of charge, F.O.B. the factory of manufacture, or (b) refund to the original purchaser the original purchase price, in lieu of such repair or replacement.

Conditions and limitations:

1. The product must be installed and operated in accordance with instructions published by **Chore-Time** or **warranty will be void.**
2. Warranty is void if **all components** of a system are not supplied by **Chore-Time.**
3. This product must be purchased from and installed by an authorized Chore-Time dealer or certified representative thereof, or the warranty will be void.
4. Malfunctions or failure resulting from misuse, abuse, negligence, alteration, accident, or lack of proper maintenance shall not be considered defects under this warranty.
5. This warranty applies only to systems for the care of poultry and livestock. Other applications in industry or commerce are not covered by this warranty.

Chore-Time shall not be liable for any **Consequential or Special Damage** which any purchaser may suffer or claim to have suffered as a result of any defect in the product. **“Consequential”** or **“Special Damages”** *as used herein include, but are not limited to, lost or damaged products or goods, costs of transportation, lost sales, lost orders, lost income, increased overhead, labor and incidental costs and operational inefficiencies.*

THIS WARRANTY CONSTITUTES CHORE-TIME'S ENTIRE AND SOLE WARRANTY AND CHORE-TIME EXPRESSLY DISCLAIMS ANY AND ALL OTHER WARRANTIES, INCLUDING, BUT NOT LIMITED TO, EXPRESS AND IMPLIED WARRANTIES AS TO MERCHANTABILITY, FITNESS FOR PARTICULAR PURPOSE SOLD AND DESCRIPTION OR QUALITY OF THE PRODUCT FURNISHED HEREUNDER.

Any exceptions to this warranty must be authorized in writing by an officer of the company. Chore-Time reserves the right to change models and specifications at any time without notice or obligation to improve previous models.

CHORE-TIME EQUIPMENT, A Division of CTB, Inc.
P.O. Box 2000
Milford, Indiana 46542-2000 U.S.A.

General

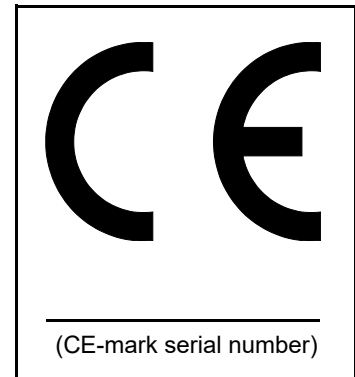
Support Information

The Chore-Time 48" Galvanized Slant Wall Fans are designed to be used as exhaust fans. The Fans are shipped assembled. Using this equipment for any other purpose or in a way not within the operating recommendations specified in this manual will void the warranty and may cause personal injury.

This manual is designed to provide comprehensive planning, installation, operation, and parts listing information. The Table of Contents provides a convenient overview of the information in this manual. The Table of Contents also specifies which pages contain information for the sales personnel, installer, and consumer (end user).

IMPORTANT: CE stands for Certified Europe. It is a standard which equipment must meet or exceed in order to be sold in Europe. CE provides a benchmark for safety and manufacturing issues. **CE is required only on equipment sold in Europe.**

Chore-Time Equipment recognizes CE Mark and pursues compliance in all applicable products. *Fill in the CE-Mark serial number in the blank space provided for future reference.*



Distributor and Installer Information

Please fill in the following information about your Product.
Keep this manual in a clean, dry place for future reference.

Distributor's Name _____

Distributor's Address _____

Distributor's Phone _____ **Date of Purchase** _____

Installer's Name _____

Installer's Address _____

Installer's Phone _____ **Date of Installation** _____

System Specifications _____

Contents

Topic	Page	User*
Chore-Time Warranty	3	C, D
General.	5	C, D, I
Support Information	5	
Distributor and Installer Information	5	
About This Manual.	6	C, D, I
Safety Information	7	C, I
Safety–Alert Symbol.	7	
Understanding Signal Words	7	
Follow Safety Instructions	8	
Decal Descriptions	8	
Fan Installation	9	I
Wiring	11	
Shutter Installation.	12	I
Product Specifications and Part Numbers	14	C, I
Motor Specifications and Part Numbers	14	
Plastic Shutter Part Numbers	14	
48" Slant Wall DD Part Numbers	15	

About This Manual

The intent of this manual is to help you in two ways. One, to provide step-by-step instructions on the assembly of your product. Two, to provide an easy reference if you have questions in a particular area.

Important ! Read ALL instructions carefully before starting construction.

Important ! Pay particular attention to all SAFETY information.

- *Metric measurements are shown in millimeters and in parentheses, unless otherwise specified. “ ” equals inches and “ ’ ” equals feet in English measurements.*

Examples:

1" (25.4)

4' (1 219)

- Optional equipment contains necessary instructions for assembly or operation.
- Major changes from the last printing will be listed on the back cover.
- This Planning Symbol is used in areas where planning needs to take place before construction continues.



- Very small numbers near an illustration (*i.e.*, 1257-48) are identification of the graphic, not a part number.

Safety Information

Caution, Warning and Danger Decals have been placed on the equipment to warn of potentially dangerous situations. Care should be taken to keep this information in good condition, intact, and easy to read at all times. Replace missing or damaged decals.

Using the equipment for purposes other than specified in this manual may cause personal injury and or damage to the equipment.



Safety–Alert Symbol

This is a safety–alert symbol. When you see this symbol on your equipment, be alert to the potential for personal injury. This equipment is designed to be installed and operated as safely as possible...however, hazards do exist.

Understanding Signal Words

Signal words are used in conjunction with the safety–alert symbol to identify the severity of the warning.



DANGER indicates an imminently hazardous situation which, if not avoided, **WILL** result in death or serious injury.



WARNING indicates a potentially hazardous situation which, if not avoided, **COULD** result in death or serious injury.



CAUTION indicates a hazardous situation which, if not avoided, **MAY** result in minor or moderate injury.

Safety Information - continued

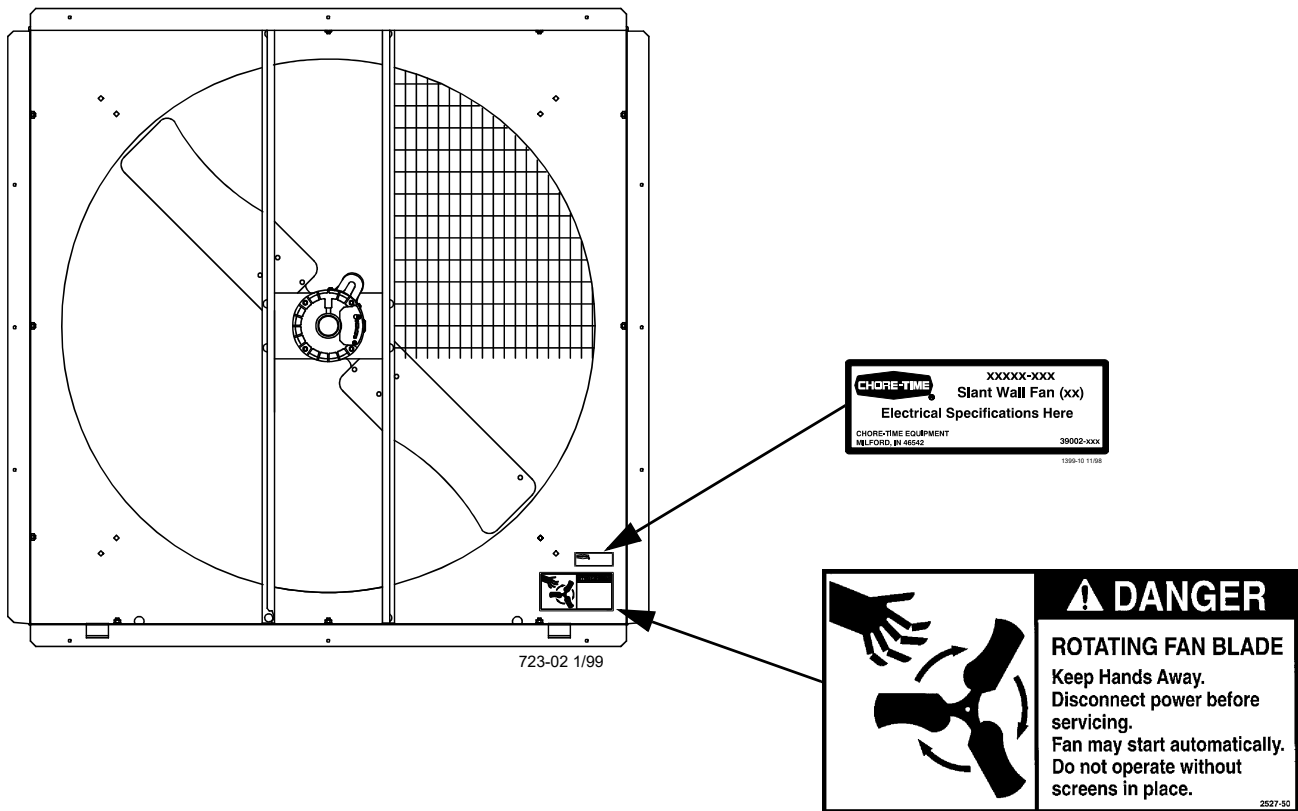
Follow Safety Instructions

Carefully read all safety messages in this manual and on your equipment decals. Follow recommended precautions and safe operating practices.

Decal Descriptions

This diagram shows the proper location of the safety decal “**DANGER—ROTATING FAN BLADE**” as shipped from the factory. Replace damaged or missing decals. Make sure the decals may be seen at all times.

Note: These decals are on placed on both sides of shroud.



Important! Chore-Time Equipment strongly recommends that a good alarm system should be installed in confinement buildings to warn of power failure and high temperature.

Chore-Time Equipment also recommends that an alternate power source be available for confinement buildings in case of power failure.

Fan Installation

Important! The 48" Slant Wall Fan must be installed in a side wall.

Build fan framing out of 2" (50 mm) lumber (not supplied). The required rough opening is provided in the table below. Allow a minimum 4" spacing between framed openings for adjacent fans. This will provide clearance for the mounting flange.

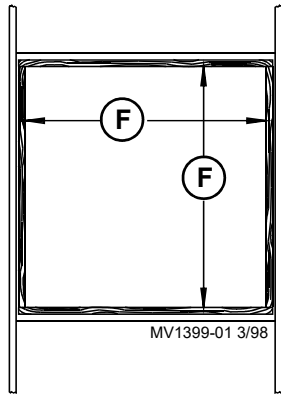


Figure 1. Framing Diagram (front view)

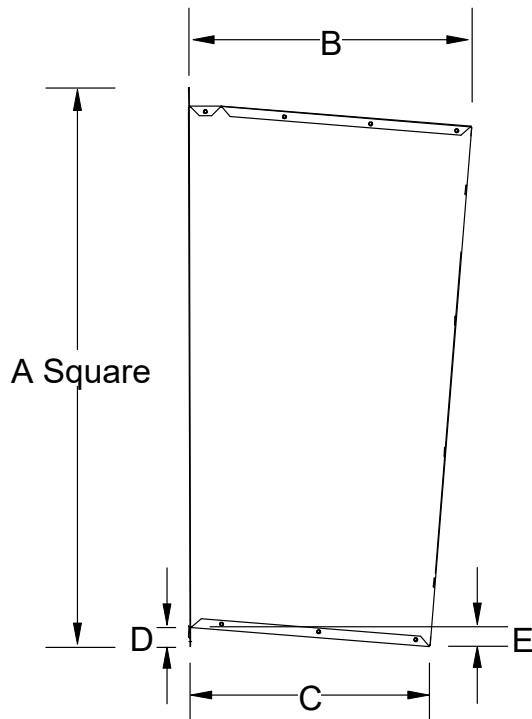


Figure 2. Fan (side view)

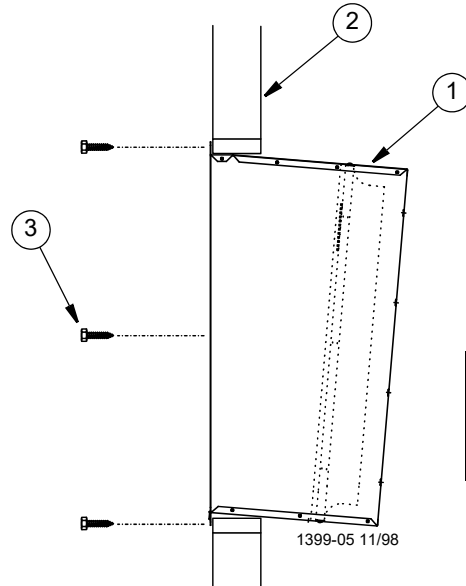
	A Square	B	C	D	E	F Rough Opening Square
48" Fan	58-1/4"x58-1/4"	29-1/2"	25"	2"	2-1/8"	55"x55"

Fan Installation - continued

Insert the Fan Assembly in the framed opening in the side wall

Center the Fan Assembly in the framed opening, left to right. Allow the Fan Housing to set on the bottom of the framed opening.

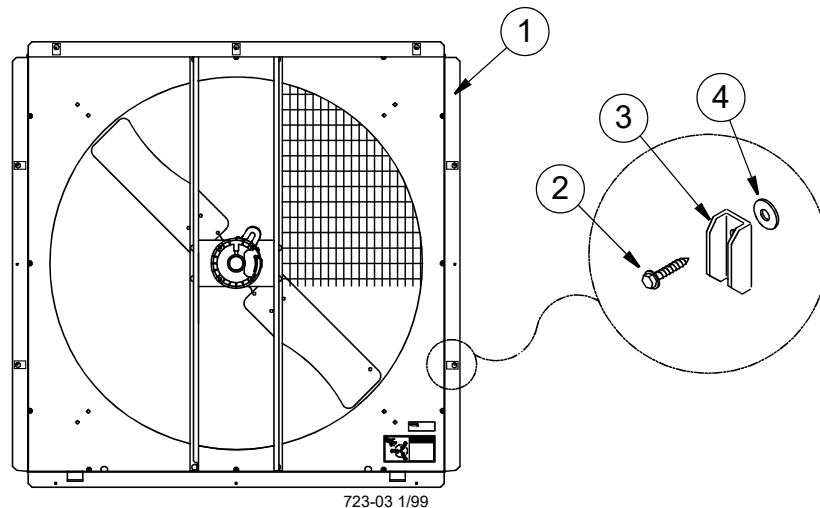
Secure the Fan Assembly to the framed opening, using (1) 1/4" x 1-3/4" Lag Screw through the middle hole on each side and (3) 1/4"x1-3/4" Lag Screws across the bottom panel.



Item	Description
1	Fan Assembly
2	Side Wall of Building
3	1/4"x1-3/4" Lag Screw (5 used)

Figure 3. Fan Assembly (side view)

Install the Shutter Clips in the remaining holes of the Panel Flanges. The Shutter Clips need to be tight, but loose enough to be turned. See Figure 4



Item	Description
1	Fan Assembly
2	1/4"x1-3/4" Lag Screw
3	Shutter Clip
4	Nylon Flat Washer

Figure 4. Shutter Clip Installation (front view)

Wiring

See wiring diagram on motor for Motor electrical connections. Follow local, state, and national electrical for wiring.

Install an electrical disconnect within reach of each Fan.

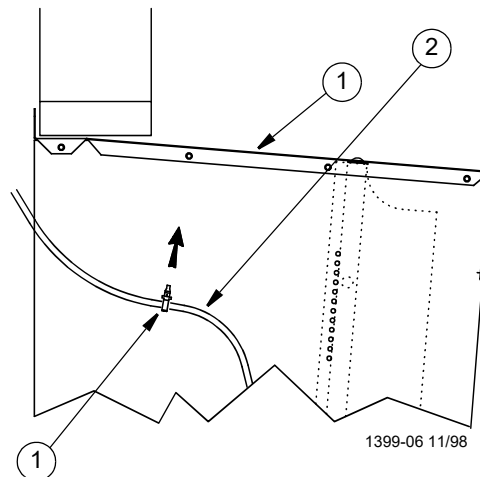
Route the motor cord (not supplied) toward the upper left corner of fan and attach to the top panel using the 3/8" cord clip mounted to the 1/4" hole in the top panel.

See **Figure 5**.

Important! If an aluminum Shutter will be installed, route the motor cord through the Rubber Grommet.

Some installations may require an exit hole for the motor cord be drilled in the side of the Housing. These installations must have electrical wires routed through conduit to protect them from damage.

Important! Make sure the conduit or wires do not interfere with the Fan Blades or Shutter operation.



Item	Description
1	Slant Wall Top Panel
2	Cord Clip
3	Cord (not supplied)

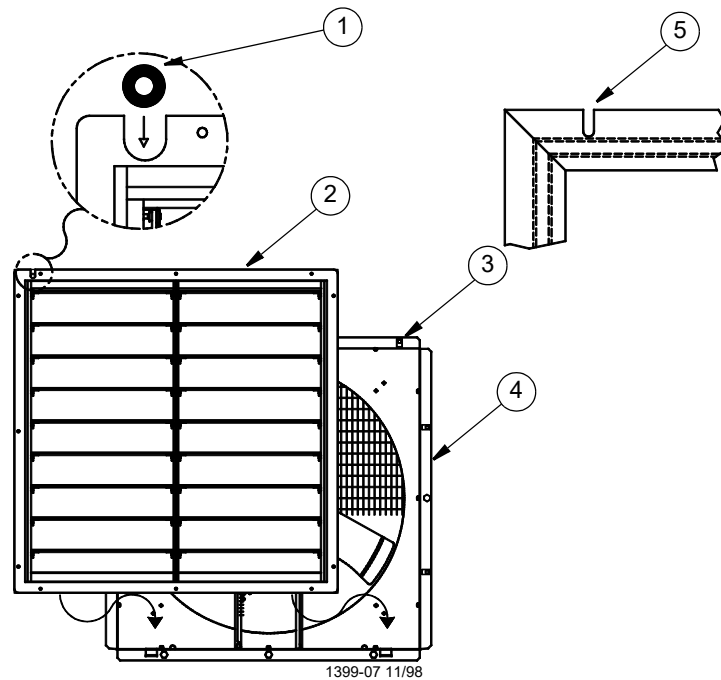
Figure 5. Installation of Cord Clip

Shutter Installation

Plastic and Aluminum Shutters are available, however installation is different. See below.

1. If you have a **Plastic Shutter**—cut a 3/8" slot in the upper left or right flange of the Shutter frame in order to route the electrical cord out the back.
2. If you have an **Aluminum Shutter**, route the electrical cord through the notch in the top of the Shutter Frame. Make sure the Grommet is installed correctly in the notch in the Shutter Frame. See **Figure 6**.
3. The Slant Wall Bottom Panel is designed to hold the Shutter. Slide the bottom of the Shutter into position in the Bottom Panel of the Slant Wall Kit, lean the Shutter back and lock it in place rotating the Shutter Clips. Check the Shutter for proper operation—the shutter must be able to open and close freely without obstructions. See **Figure 6**.

Note: Make sure the electrical conduit and wire does not interfere with the Fan Blades or Shutter operation.



Item	Description
1	Grommet (for aluminum shutter)
2	Shutter
3	Shutter Clip
4	Slant Wall Housing
5	3/8" Slot in Plastic Shutter

Figure 6. Shutter Installation (front view)

Maintenance



DANGER

Disconnect Power Prior To Maintaining Or Cleaning The Fan. The fan may start automatically causing serious injury or death.

- Service and maintenance of fans should be done only by a qualified technician.
- Keep the fan clean for maximum life and best performance.

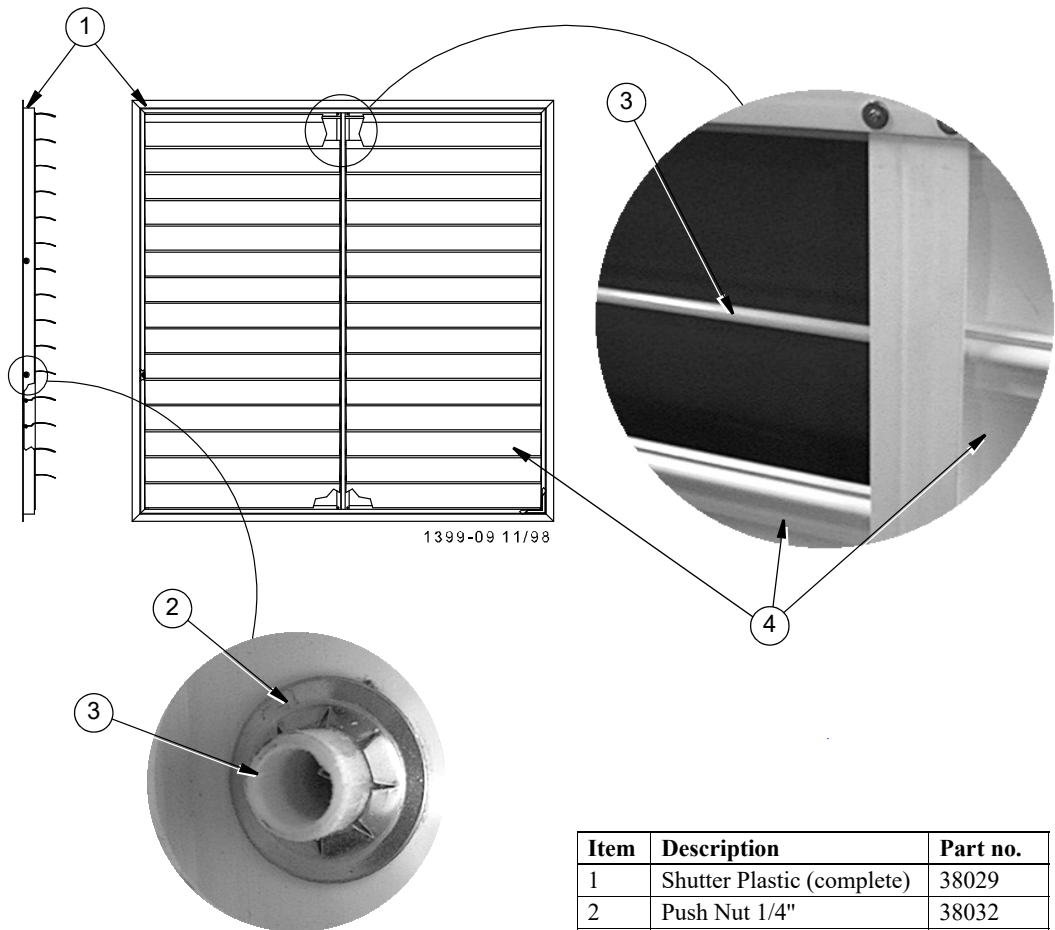
Product Specifications and Part Numbers

Motor Specifications and Part Numbers

Fan Specifications (assembled)		Motor Specifications				
Description	*Part No.	Voltage	HZ	Phase	HP	Motor P/N
48" Slant Wall DD Fan	41476-482X	230	60	1	1	37726
	41041-484X	460	60	3	1	39020

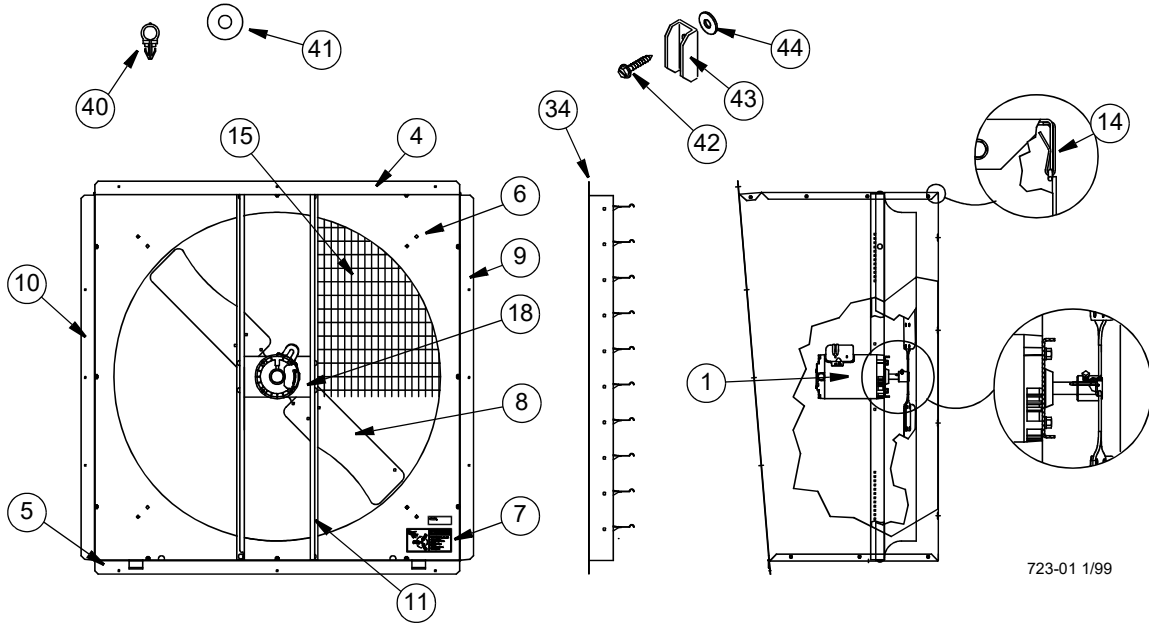
* Replace the "X" in fan P/N with "1" for an aluminum Shutter, "2" for a plastic shutter.

Plastic Shutter Part Numbers



Item	Description	Part no.
1	Shutter Plastic (complete)	38029
2	Push Nut 1/4"	38032
3	Shutter Rod Pivot	38702-4
4	Shutter Louver	38038-4

48" Slant Wall DD Part Numbers



723-01 1/99

Item	Description	Part No
*1	Motor	See Chart
4	Top Panel 5°	41025
5	Bottom Panel 5°	41023
6	Shroud 48", Fan (54)	37583
7	Danger Decal	2527-50
8	Fan Blade	37727
9	Side Panel RH	41024-2
10	Side Panel LH	41024-1
11	Post 48"	38390
14	Screen Clip	38891
15	Wire Screen, 52x52	6023-22
18	Motor Support	37941
34	Shutter Aluminum	38260
	Shutter Plastic	38029
40	Cord Clip	7242
41	Grommet	7256
42	1/4x1-3/4" Lag Screw	39217
43	Shutter Clip	36729
44	Nylon Washer	4856

*See Motor Specifications on previous page.



**Made to work.
Built to last.**

Revisions to this Manual

Page No.	Description of Change
	Complete update of entire manual.

Contact your nearby Chore-Time distributor or representative for additional parts and information.

CTB Inc.
P.O. Box 2000 • Milford, Indiana 46542-2000 • U.S.A.
Phone (219) 658-4101 • Fax (800) 333-4191
E-Mail: ctb@ctbinc.com • Internet: <http://www.ctbinc.com>

Printed in the U.S.A.