



36" Direct Drive Fan

Model 27140-115

Model 27140-230

Model 27140-3PH

Model 27140LM

Introduction

Please read the instructions in this manual prior to beginning the installation. This manual is designed to give necessary information on the installation, assembly, and maintenance of the 36" Direct Drive fan.

The 36" Direct Drive fan may be used for a variety of applications when properly installed.

NOTE: Several versions of the 36" Direct Drive Fan are available. They include:

Part No. 27140-115: 36" Direct Drive Fan including a single phase, 1/2 HP, 115 volt motor.

Part No. 27140-230: 36" Direct Drive Fan including a single phase, 1/2 HP, 230 volt motor.

Part No. 27140-3PH: 36" Direct Drive Fan including a three phase, 1/2 HP, motor for 208-230/460 volt applications only.

Part No. 27140LM: 36" Direct Drive Fan shipped without a motor.

Assembly

1. Remove rear wire screen by cutting off plastic ties.
2. Detach fan blade from mounting bracket by loosening both square head set screws on the hub.
3. Remove and discard mounting bracket, carriage bolt, and nut from Motor Mount.
4. Install motor by aligning (4) motor bolts to holes on motor mount and fasten with #10 lockwashers and 10-32 nuts supplied in hardware package.
5. Carefully position fan blade on motor shaft, allowing a clearance of approximately 1/4" (6 mm) between the fan blade hub and motor. Use the 3/16 x 1" square key (supplied with the motor) between hub and shaft.
6. Tighten both square head set screws on fan blade hub against motor shaft. A 12 pointed, 3/8" socket is recommended for this purpose.
7. Reinstall rear wire screen, using plastic ties supplied in the hardware package.
8. Provide electrical supply to the fan motor and wire according to the instructions shipped with the control or thermostat.

Installation

The fan can be mounted in-wall, or can be suspended from the ceiling. Installation procedure will vary depending on the type of installation desired.

IN-WALL: See the framing diagrams in Figure 1, page 2, for framing dimensions.

CEILING SUSPENSION: Use the two 3/8" (9.5 mm) holes drilled in the top of the fan assembly. A 13123 Suspension Kit is available, which includes 20' (6 m) of chain, two eye-bolts with nuts, two screw hooks and four "S" hooks.

Maintenance

NOTE: Disconnect power before servicing. Fans may start automatically causing serious injury or death.

Keep the fan clean for maximum life and best performance. Do not spray with water or cleaning fluids. Remove dirt by dry brushing.

CTB Inc.

P.O. Box 2000 • Milford, Indiana 46542-2000 • U.S.A.

Phone (574) 658-4101 • Fax (800) 333-4191

E-Mail: ctb@ctbinc.com • Internet: <http://www.ctbinc.com>

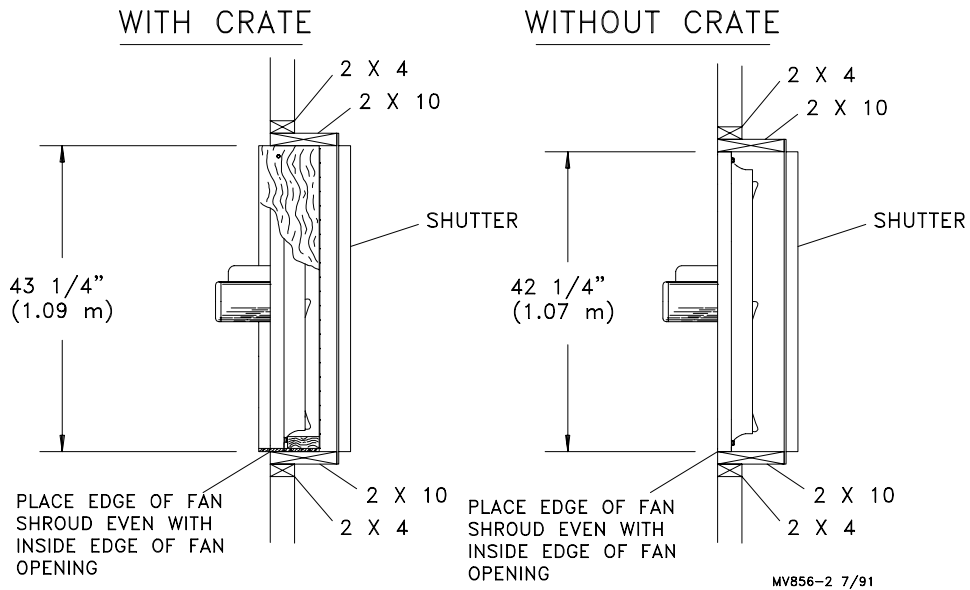
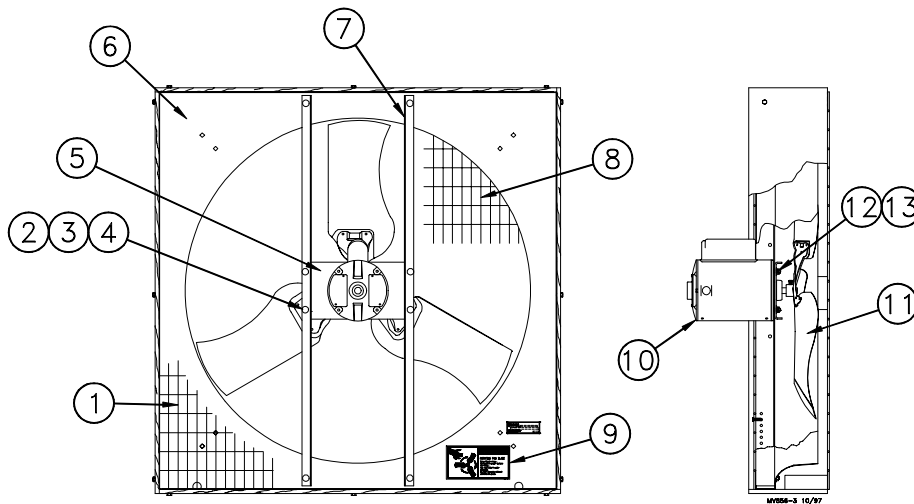


Figure 1. IN-WALL Fan Installation

ORDERING INFORMATION

1. All parts should be ordered by PART NUMBER and DESCRIPTION as given in the PARTS LIST.
2. Parts are always billed when shipped. If a returned part is defective, and within warranty period, credit will be allowed against billing.
3. CHECK SHIPMENT FOR DAMAGES AND SHORTAGES.
4. All claims for damages or shortages resulting from shipment must be filed with the carrier.

36" Direct Drive Fan Parts List



Key	Description	Part No.
1	Wire Screen	27143
2	5/16-18 x 5/8 Carriage Bolt	8282
3	5/16-18 Hex Nut	2145
4	5/16 Lock Washer	547
5	36" DD Fan Motor Support	36564
6	36" Fan Shroud	5538
7	36" Fan Motor Mount Post	37209

Key	Description	Part No.
8	Wire Screen	7687
9	Danger Decal	2527-50
10	Motor: 1/2 HP, 1-PH, 115V 1/2 HP, 1-PH, 230V 1/2 HP, 3-PH, 208-230/460V	27536 28936 27536-3PH
11	Fan Blade	40358
12	#10-32 Hex Nut	4297
13	#10 External Tooth Lock Washer	305

Safety Information

Caution, Warning and Danger Decals have been placed on the equipment to warn of potentially dangerous situations. Care should be taken to keep this information intact and easy to read at all times. Replace missing or damaged safety signs.

Using the equipment for purposes other than specified in this manual may cause personal injury and or damage to the equipment.

Safety–Alert Symbol

This is a safety–alert symbol. When you see this symbol on your equipment, be alert to the potential for personal injury. This equipment is designed to be installed and operated as safely as possible...however, hazards do exist.



Signal Words

Signal words are used in conjunction with the safety–alert symbol to identify the severity of the warning.

DANGER indicates an imminently hazardous situation which, if not avoided, **WILL** result in death or serious injury.



WARNING indicates a potentially hazardous situation which, if not avoided, **COULD** result in death or serious injury.



CAUTION indicates a hazardous situation which, if not avoided, **MAY** result in minor or moderate injury.



DANGER: Electrical Hazard

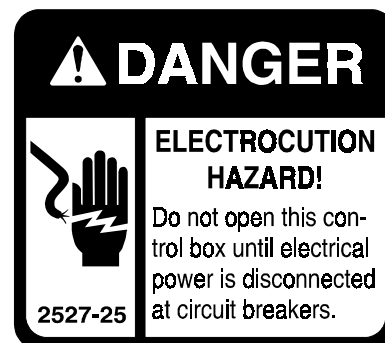
Disconnect electrical power before inspecting or servicing equipment unless maintenance instructions specifically state otherwise.

Ground all electrical equipment for safety.

All electrical wiring must be done by a qualified electrician in accordance with local and national electric codes.

Ground all non-current carrying metal parts to guard against electrical shock.

With the exception of motor overload protection, electrical disconnects and over current protection are not supplied with the equipment.



Chore-Time Warranty

Chore-Time Equipment warrants each new product manufactured by it to be free from defects in material or workmanship for one year from the date of initial installation by the original purchaser. If such a defect is found by Chore-Time to exist within the one year period, Chore-Time will, at its option, (a) repair or replace such product free of charge, F.O.B. the factory of manufacture, or (b) refund to the original purchaser the original purchase price, in lieu of such repair or replacement.

Conditions and limitations:

1. The product must be installed and operated in accordance with instructions published by **Chore-Time or warranty will be void.**
2. Warranty is void if **all components** of a system are not supplied by **Chore-Time.**
3. This product must be purchased from and installed by an authorized Chore-Time dealer or certified representative thereof, or the warranty will be void.
4. Malfunctions or failure resulting from misuse, abuse, negligence, alteration, accident, or lack of proper maintenance shall not be considered defects under this warranty.
5. This warranty applies only to systems for the care of poultry and livestock. Other applications in industry or commerce are not covered by this warranty.

Chore-Time shall not be liable for any **Consequential or Special Damage** which any purchaser may suffer or claim to have suffered as a result of any defect in the product. **“Consequential”** or **“Special Damages”** *as used herein include, but are not limited to, lost or damaged products or goods, costs of transportation, lost sales, lost orders, lost income, increased overhead, labor and incidental costs and operational inefficiencies.*

THIS WARRANTY CONSTITUTES CHORE-TIME’S ENTIRE AND SOLE WARRANTY AND CHORE-TIME EXPRESSLY DISCLAIMS ANY AND ALL OTHER WARRANTIES, INCLUDING, BUT NOT LIMITED TO, EXPRESS AND IMPLIED WARRANTIES AS TO MERCHANTABILITY, FITNESS FOR PARTICULAR PURPOSE SOLD AND DESCRIPTION OR QUALITY OF THE PRODUCT FURNISHED HEREUNDER.

Any exceptions to this warranty must be authorized in writing by an officer of the company. Chore-Time reserves the right to change models and specifications at any time without notice or obligation to improve previous models.

CHORE-TIME EQUIPMENT, A Division of CTB, Inc.
P.O. Box 2000 • Milford, Indiana 46542-2000 • U.S.A.
Phone (574) 658-4101 • Fax (800) 333-4191
E-Mail: ctb@ctbinc.com • Internet: <http://www.ctbinc.com>