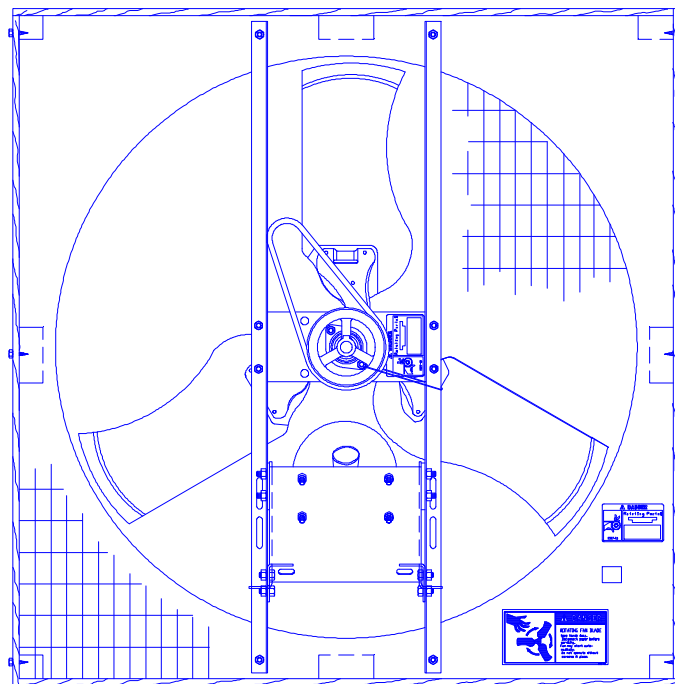


36" Panel Fan

Installation Manual

(Belt Drive)



MV857-5 2/96

Warranty Information

Chore-Time Equipment warrants each new product manufactured by it to be free from defects in material or workmanship for one year from the date of initial installation by the original purchaser. If such a defect is found by Chore-Time to exist within the one year period, Chore-Time will, at its option, (a) repair or replace such product free of charge, F.O.B. the factory of manufacture, or (b) refund to the original purchaser the original purchase price, in lieu of such repair or replacement.

Additional extended warranties are herewith provided to the original purchaser as follows:

1. TURBO™ and RLX™ Fans, less motors, for three years from date of installation.
- *2. Poultry feeder pans that become unusable within five years from date of installation. Warranty prorated after three years usage.
3. MEAL-TIME® Hog Feeder pans that become unusable within five years of installation.
4. Rotating centerless augers, excluding applications involving High Moisture Corn (exceeding 18%), for ten years from date of installation. Note: MULTIFLO® and applications involving High Moisture Corn are subject to a one year warranty.
5. Chore-Time manufactured roll-formed steel auger tubes for ten years from date of installation.
- *6. Laying cages that become unusable within ten years. Warranty prorated after three years usage.
- *7. ULTRAFLO® Auger and ULTRAFLO® Feed Trough (except ULTRAFLO® Trough Liners) are warranted for a period of five (5) years from date of original purchase against repeated breakage of the auger or wear-through of the feed trough.

Conditions and limitations:

1. The product must be installed and operated in accordance with instructions published by Chore-Time or warranty will be void.
2. Warranty is void if all components of a system are not supplied by Chore-Time.
3. This product must be purchased from and installed by an authorized Chore-Time dealer or certified representative thereof, or the warranty will be void.
4. Malfunctions or failure resulting from misuse, abuse, negligence, alteration, accident, or lack of proper maintenance shall not be considered defects under this warranty.
5. This warranty applies only to systems for the care of poultry and livestock. Other applications in industry or commerce are not covered by this warranty.

Chore-Time shall not be liable for any consequential or special damage which any purchaser may suffer or claim to have suffered as a result of any defect in the product. "Consequential" or "special damages" as used herein include, but are not limited to, lost or damaged products or goods, costs of transportation, lost sales, lost orders, lost income, increased overhead, labor and incidental costs and operational inefficiencies.

THIS WARRANTY CONSTITUTES CHORE-TIME'S ENTIRE AND SOLE WARRANTY AND CHORE-TIME EXPRESSLY DISCLAIMS ANY AND ALL OTHER WARRANTIES, INCLUDING, BUT NOT LIMITED TO, EXPRESS AND IMPLIED WARRANTIES AS TO MERCHANTABILITY, FITNESS FOR PARTICULAR PURPOSE SOLD AND DESCRIPTION OR QUALITY OF THE PRODUCT FURNISHED HEREUNDER.

Any exceptions to this warranty must be authorized in writing by an officer of the company. Chore-Time reserves the right to change models and specifications at any time without notice or obligation to improve previous models.

*See separate "WARRANTY ADDITION" as to these products

CHORE-TIME EQUIPMENT, A Division of CTB, Inc.
P.O. Box 2000, Milford, Indiana 46542-2000 U.S.A.

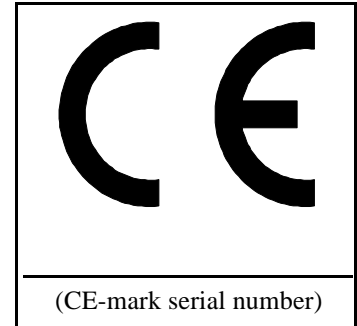
Support Information

The Chore-Time Fans are designed to be used as circulating or exhaust fans. Using this equipment for any other purpose or in a way not within the operating recommendations specified in this manual will void the warranty and may cause personal injury and/or death.

This manual is designed to provide comprehensive planning, installation, wiring, operation, and parts listing information. The Table of Contents provides a convenient overview of the information in this manual. The Table of Contents also specifies which pages contain information for the sales personnel, installer, and consumer (end user).

IMPORTANT: CE stands for *certified Europe*. It is a standard which equipment must meet or exceed in order to be sold in Europe. CE provides a benchmark for safety and manufacturing issues. CE is required only on equipment sold in Europe.

Chore-Time Equipment recognizes CE Mark and pursues compliance in all applicable products. Fill in the CE-Mark serial number in the blank space provided for future reference.



Please fill in the following information about your fans. Keep this manual in a clean, dry place for future reference.

Distributor's Name _____

Distributor's Address _____

Distributor's Phone _____ **Date of Purchase** _____

Installer's Name _____

Installer's Address _____

Installer's Phone _____ **Date of Installation** _____

System Specifications _____

Table of Contents

<u>Topic</u>	<u>Page</u>	<u>User*</u>
Warranty Information	2	C, D
Support Information	3	C, D
Safety Information	4	C, I
Fan Assembly Procedure	5	I
Fan Installation	5 - 7	I
Maintenance	7	C
36" Belt Drive Panel Fan Parts List	8	C, I

*Legend: C = Customer (end user), D = Distributor (sales), I = Installer of equipment

Tools Required for Installation

Hammer & Nails

Flat Head Screwdriver

Open End Wrenches (standard)

Adequate Size and Quantity of Wire

Safety Information

Caution, Warning and Danger Decals have been placed on the equipment to warn of potentially dangerous situations. Care should be taken to keep this information intact and easy to read at all times. Replace missing or damaged safety signs.

Chore-Time equipment is designed to be installed and operated as safely as possible...however, hazards do exist. Using the equipment for purposes other than specified in this manual may cause personal injury or damage to the equipment.

SIGNAL WORDS

Signal words are used in conjunction with the safety-alert symbol to identify the severity of the warning.

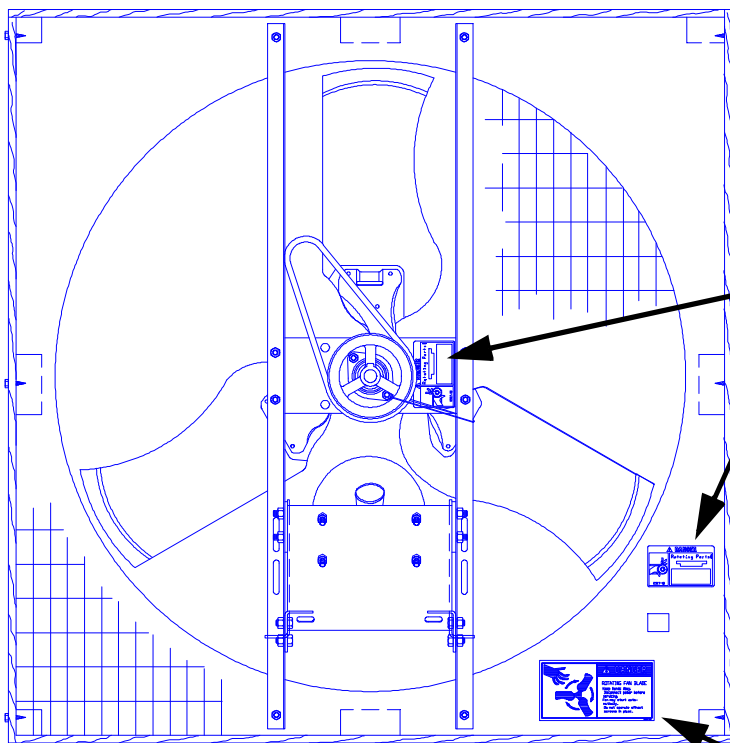
DANGER..... indicates an imminently hazardous situation which, if not avoided, **WILL** result in death or serious injury.

WARNING indicates a potentially hazardous situation which, if not avoided, **COULD** result in death or serious injury.

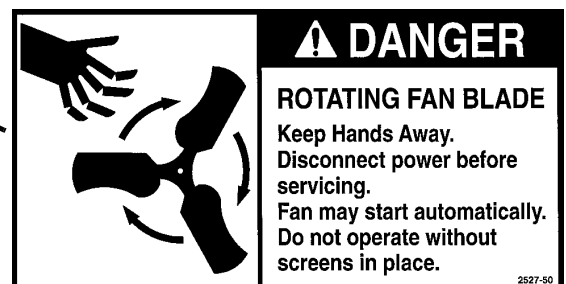
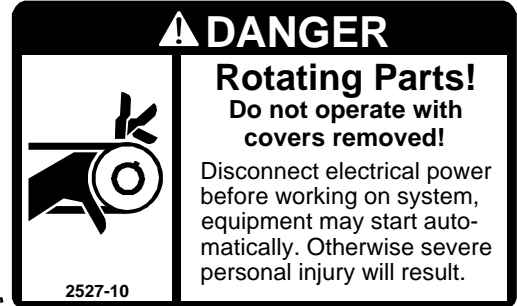
CAUTION indicates a hazardous situation which, if not avoided, **MAY** result in minor or moderate injury.



This diagram show the proper location of the safety decal as shipped from the factory. Replace damaged or missing decals. Make sure the decals may easily seen at all times.



MV857-5 2/96



Fan Assembly Procedure

1. Remove the Motor Mount Assembly from the Fan Post by loosening the (4) 3/8-16 x 3/4" bolts. Do not discard the hardware.
2. Remove tape and wire tie from the V-Belt and Pulley.
3. Align the Motor Mount Assembly with the third and fourth holes from the bottom of the Fan Post. See Figure 1.

Use the hardware removed in Steps 1 and 2, above, to secure the Motor Mount Assembly in place.

Key	Description
1	Fan Post
2	Motor Mount Assembly
3	Use third and fourth holes

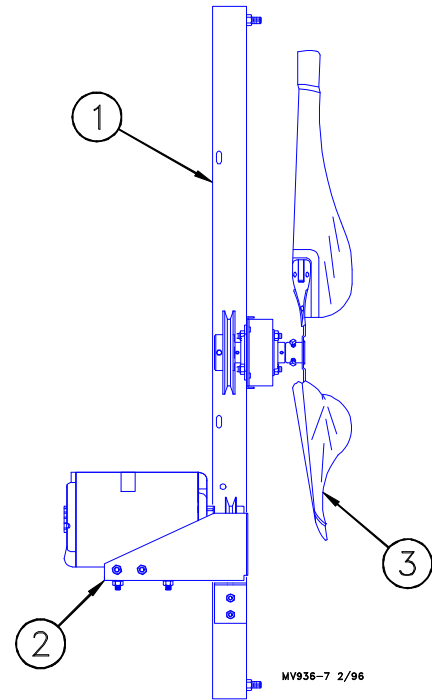


Figure 1. Fan Assembly (front view).

4. Position the V-Belt over the small pulley. Start the V-Belt around the large pulley. Rotate the large pulley to draw the V-Belt into the groove of the large pulley.
5. Wire the motor to the Fan Controls according to instructions packed with the Fan Controls.

Fan Installation

The 36" Panel Fan may be installed in a wall or suspended from the ceiling.

Side Wall Installations:

The required wall opening is provided in the chart below.

Build fan opening frame out of 2" x 4" (50 x 100 mm) and 2" x 10" (50 x 250 mm) lumber (not supplied). See Figure 2 & 3.

The Fan may be installed with or without the wood side panels. Remove and discard the side panels if desired.

Dimension (minimum)	A	B
36" Fan (with crate)	43-1/4" (1.09 m)	43-1/4" (1.09 m)
36" Fan (without crate)	42-1/4" (1.07 m)	42-1/4" (1.07 m)

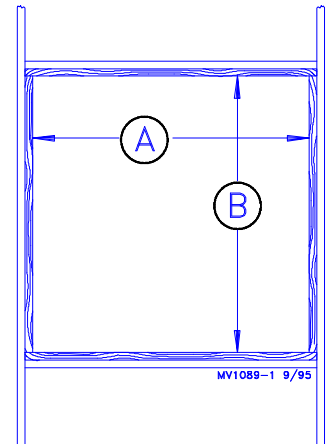


Figure 2. Framing Diagram (front view).

Set the Fan Assembly in the framed opening. Position the fan so that the edge of the Fan Shroud is even with the inside edge of the opening. See Figure 3. Secure the Fan Assembly in the framed opening, using (3) screws (not supplied) per side. Secure the Shutter to the 2" x 10" framing, as shown in Figure 3.

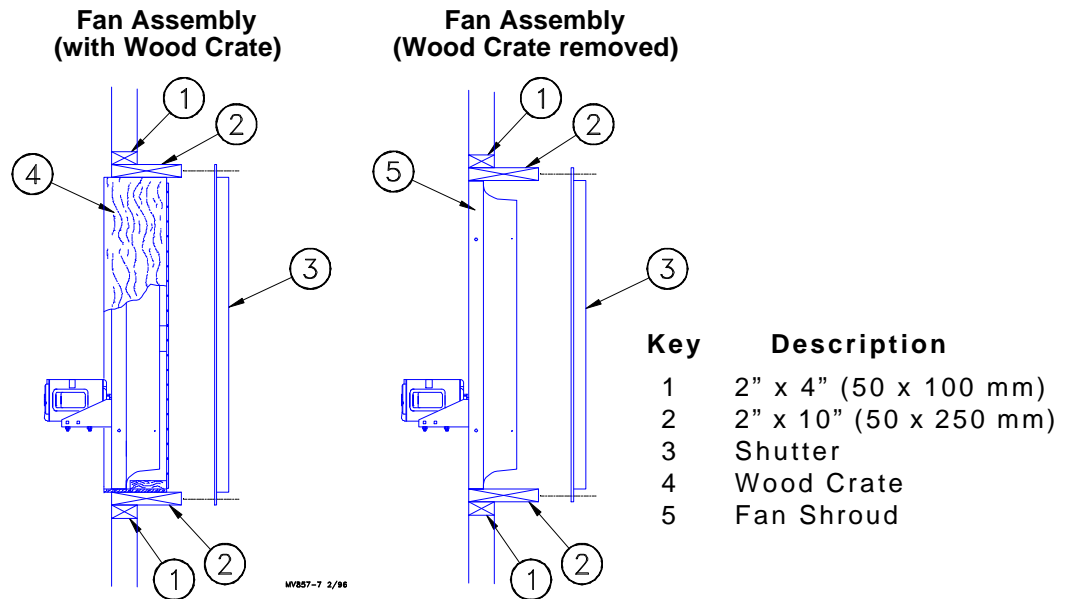


Figure 3. Fan installation (front view).

Suspended Fan Installations:

Replace Items 9 - 11 from both sides of the top of the fan with the suspension components, Items 1 - 7, as shown in Figure 4. Discard Items 9 - 11.

The 36" Fan Assembly weighs approximately 90 lbs. (40.8 kg). The ceiling, rafters, or trusses must be capable of bearing the weight of the fan.

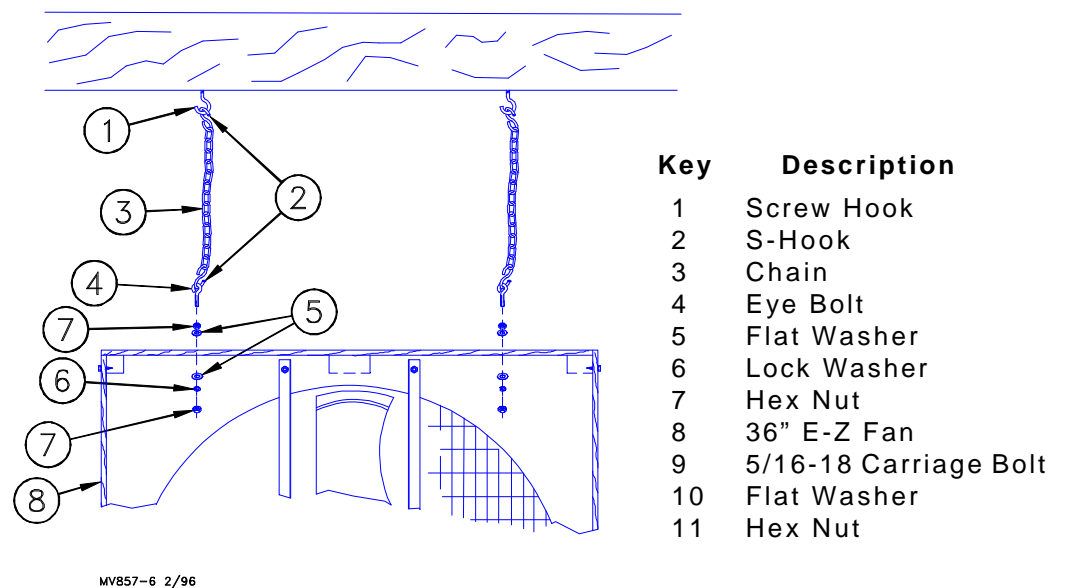


Figure 4. Suspending the Fan (front view).

Cut cable ties securing the Rear Screen to the Front Screen. Do not remove the Front Screen.

Secure the Rear Screen to the Panel flanges using (4) wire ties per side (not supplied).

DANGER: Wire Screen(s) MUST be installed to prevent serious injury or death.

Use the (4) Cable Ties, included in the Hardware Package, to route the motor cord along the Motor Mount Post.

If a Shutter was installed, route the motor cord through the Rubber Grommet in the upper left corner.

If a Shutter was not installed, the motor cord may be routed through the Rear Screen.

Some installations may require an exit hole for the motor cord be drilled in the Side Panel. These installations must have electrical wires routed through conduit to protect them from damage.

Note: Make sure the conduit or wires do not interfere with the Fan Blades or Shutter operation.

Wire the motor to fan controls according to the instructions packed with the fan controls.

Important

Chore-Time Equipment strongly recommends that a good alarm system should be installed in confinement buildings to warn of power failure and high temperature.

Chore-Time Equipment also recommends that an alternate power source be available for confinement buildings in case of power failure.

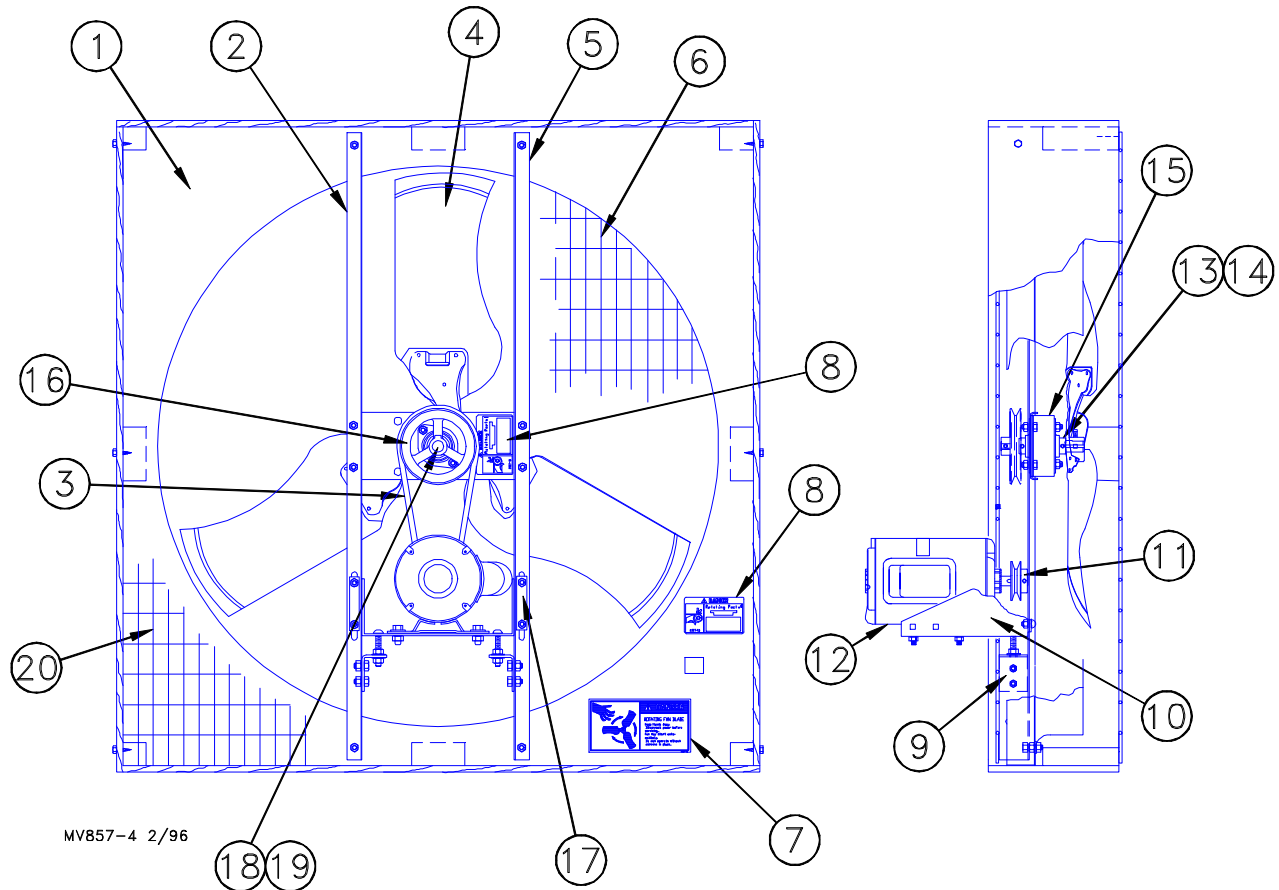
MAINTENANCE:

Service and maintenance of fans should be done only by a qualified technician.

DISCONNECT POWER PRIOR TO MAINTAINING OR CLEANING THE FAN!
The fan may start automatically causing serious injury or death.

Keep the fan clean for maximum life and best performance.

36" Belt Drive Panel Fan Parts List



Item	Description	Part No.	Item	Description	Part No.
1	36" Fan Shroud	5538	13*	Flangette	20192-1
2*	Post (L.H.)	27153-2	14*	Bearing Assembly	20192-5
3	V-Belt	1322	15*	Bearing Mount Assembly	8197
4	Fan Blade	29736	16*	Pulley	27737
5*	Post (R.H.)	27153-1	17	Bar Washer	27170
6	Front Wire Screen	7687	18*	3/16" Sq. x 1.00" Key	2112-1
7	Danger Decal	2527-50	19*	Shaft	27164
8	Danger Decal	2527-10	20	Rear Wire Screen	27157
9*	"L" Bracket	27163			
10	Motor Support	27155			
11	Pulley	See Chart			
12	Motor	See Chart			

*These items may be ordered as a Post Assembly under Chore-Time Part No. 29315.

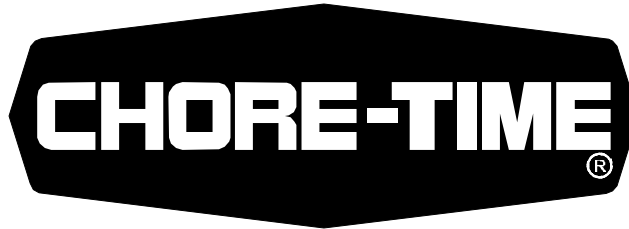
36" Belt Drive Panel Fan Assembly	Motor Specifications					
	H.P.	Hz.	Phase	Voltage	Motor Part No.	Motor Pulley Part No.
27150LM	--	--	--	--	--	--
27150	1/2	60	1	115/230	8304	4906
27150-50HZ	1/2	50	1	220	8304-50HZ	8773
27150-3PH	1/2	60	3	230/460	4714	4906

This page intentionally left blank.

This page intentionally left blank.

This page intentionally left blank.

THANK-YOU for purchasing a ***Chore-Time***
36" Fan.



Made to work.
Built to last.

Revisions to this Manual

Page No

Description of Change

- Updated to CE Format.
- Added more comprehensive installation information and graphics.
- Updated Parts List to reflect correct part numbers.

Contact your nearby Chore-Time distributor or representative for additional parts and information.
Chore-Time Equipment, A Division of CTB, Inc.
P.O. Box 2000, Milford, Indiana 46542-2000 U.S.A.
Phone: 219-658-4101

Printed in the U.S.A.