

# Water Level Regulator Assembly

Part Number 40517

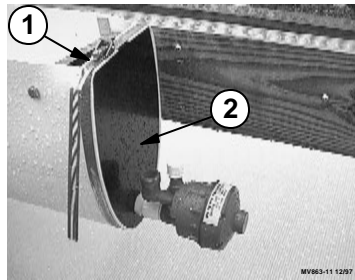


## Introduction

The Water Level Regulator Assembly is for use with the Turbo Cool Evaporative Cooling System in applications where the incoming water pressure is less than 30 psi and/or for systems that require extra high water flow rates.

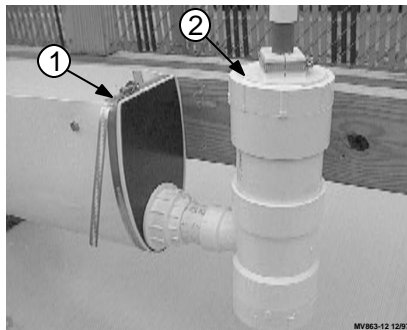
## Installation Procedure

1. Loosen the Band Clamp on the Inlet Trough End and remove the Inlet Trough End.



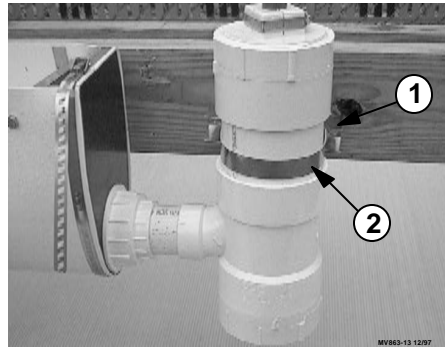
Item	Description
1	Band Clamp
2	Inlet Trough End

2. Install the Water Level Regulator Assembly into the Trough and retighten the Band Clamp.



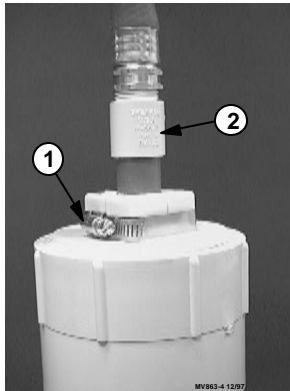
Item	Description
1	Band Clamp
2	Water Level Regulator Assembly

3. Install the Regulator Support and Regulator Strap with included lag screws.



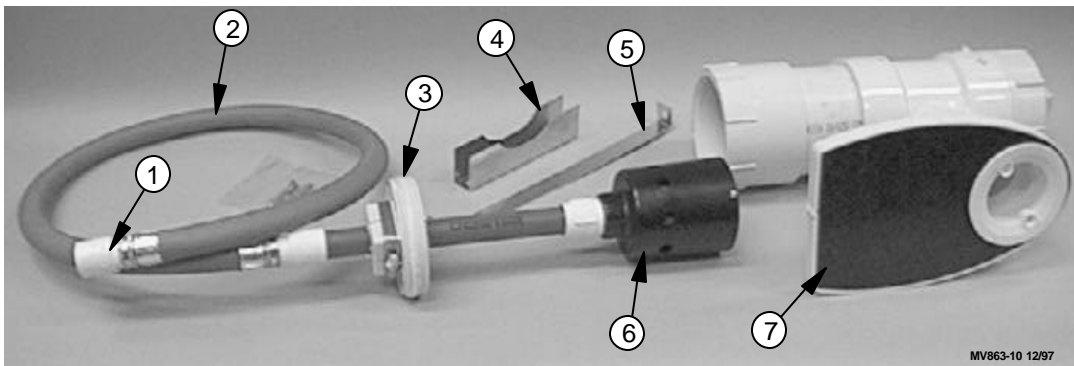
Item	Description
1	Regulator Support
2	Regulator Strap

4. Assemble the hose to the top of the Water Level Regulator Assembly and the incoming water supply line. Water level is adjusted by loosening the band clamp on top of the Water Level Regulator Assembly and moving the inner pipe up or down.



Item	Description
1	Band Clamp
2	Adjust water level by moving this up or down

## Parts Listing



Item	Description	Part No.
1	Male Hose Adapter	14605
2	Hose Assembly	36654
3	Pipe Positioning Plug	40477
4	Regulator Support	40698

Item	Description	Part No.
5	Regulator Strap	40697
6	Float Valve	40478
7	Trough End	40476