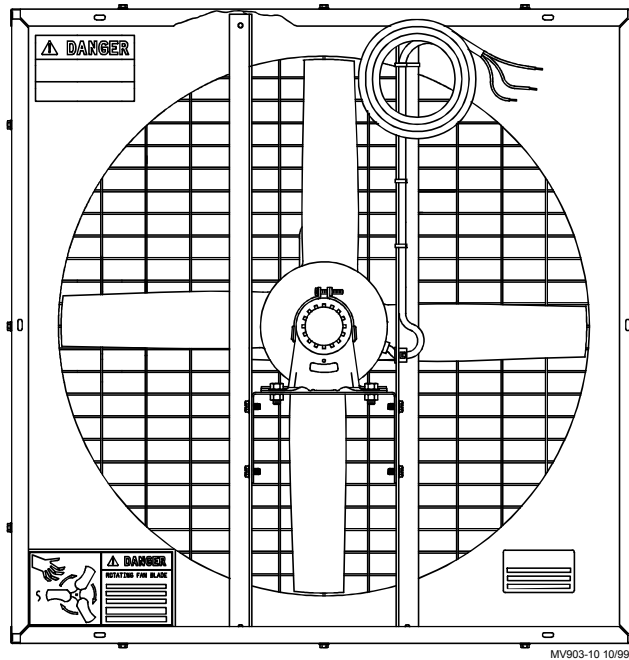


24" Crated and Galvanized Crated Fan Installation & Operator's Instruction Manual



Chore-Time Warranty

Chore-Time Equipment ("Chore-Time") warrants each new Chore-Time product manufactured by it to be free from defects in material or workmanship for one year from and after the date of initial installation by or for the original purchaser. If such a defect is found by the Manufacturer to exist within the one-year period, the Manufacturer will, at its option, (a) repair or replace such product free of charge, F.O.B. the factory of manufacture, or (b) refund to the original purchaser the original purchase price, in lieu of such repair or replacement. Labor costs associated with the replacement or repair of the product are not covered by the Manufacturer.

Conditions and Limitations

1. The product must be installed by and operated in accordance with the instructions published by the **Manufacturer or Warranty will be void.**
2. Warranty is void if **all components** of the system are not original equipment supplied by the **Manufacturer.**
3. This product must be purchased from and installed by an authorized distributor or certified representative thereof or the Warranty will be void.
4. Malfunctions or failure resulting from misuse, abuse, negligence, alteration, accident, or lack of proper maintenance shall not be considered defects under the Warranty.
5. This Warranty applies only to systems for the care of poultry and livestock. Other applications in industry or commerce are not covered by this Warranty.

The **Manufacturer** shall not be liable for any **Consequential or Special Damage** which any purchaser may suffer or claim to suffer as a result of any defect in the product. "**Consequential**" or "**Special Damages**" as used herein include, but are not limited to, lost or damaged products or goods, costs of transportation, lost sales, lost orders, lost income, increased overhead, labor and incidental costs and operational inefficiencies.

THIS WARRANTY CONSTITUTES THE MANUFACTURER'S ENTIRE AND SOLE WARRANTY AND THIS MANUFACTURERE EXPRESSLY DISCLAIMS ANY AND ALL OTHER WARRANTIES, INCLUDING, BUT NOT LIMITED TO, EXPRESS AND IMPLIED WARRANTIES AS TO MERCHANTABILITY, FITNESS FOR PARTICULAR PURPOSES SOLD AND DESCRIPTION OR QUALITY OF THE PRODUCT FURNISHED HEREUNDER.

Chore-Time Distributors are not authorized to modify or extend the terms and conditions of this Warranty in any manner or to offer or grant any other warranties for Chore-Time products in addition to those terms expressly stated above. An officer of CTB, Inc. must authorize any exceptions to this Warranty in writing. The Manufacturer reserves the right to change models and specifications at any time without notice or obligation to improve previous models.

Effective: **October 1999**

Chore-Time Equipment
A Division of CTB, Inc.
P.O. Box 2000 • Milford, Indiana 46542-2000 • U.S.A.
Phone (219) 6584101 • Fax (219) 658-4171
Email: ctb@ctbinc.com • Internet: <http://www.ctbinc.com>

Thank You

The employees of Chore-Time Equipment would like to thank your for your recent Chore-Time purchase. If a problem should arise, your Chore-Time distributor can supply the necessary information to help you.

Contents

Topic	Page	User
Chore-Time Warranty	2	C, D
Support Information	4	
General	4	C, D, I
Distributor and Installer Information	4	
About This Manual	5	C, D, I
Safety Information	5	C, I
Safety–Alert Symbol	5	
Understanding Signal Words	5	
Follow Safety Instructions	6	
Decal Descriptions	6	
Technical Information	7	C, I
Fan Installation	8	I
Side Wall Installations:	8	
Ceiling Mount Installations:	9	
Wire Screen Installation:	9	
WIRING:	9	
MAINTENANCE:	9	
Parts List	10	C, D, I
24" Wood Crated Fan PN 14843 and 24" Galvanized Crated Fan PN 27495	10	

General

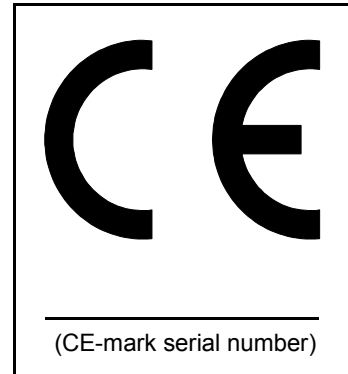
Support Information

Using this equipment for any other purpose or in a way not within the operating recommendations specified in this manual will void the warranty and may cause personal injury.

This manual is designed to provide comprehensive planning, installation, safety, operation, and parts listing information. The Table of Contents provides a convenient overview of the information in this manual. The Table of Contents also specifies which pages contain information for the sales personnel, installer, and consumer (end user).

IMPORTANT: CE stands for "Certified Europe". It is a standard which equipment must meet or exceed in order to be sold in Europe. CE provides a benchmark for safety and manufacturing issues. **CE is required only on equipment sold in Europe.**

Chore-Time Equipment recognizes the CE Mark and pursues compliance in all applicable products. *Fill in the CE-Mark serial number in the blank space provided for future reference.*



Distributor and Installer Information

Please fill in the following information about your Product.
Keep this manual in a clean, dry place for future reference.

Distributor's Name _____

Distributor's Address _____

Distributor's Phone _____ **Date of Purchase** _____

Installer's Name _____

Installer's Address _____

Installer's Phone _____ **Date of Installation** _____

System Specifications _____

About This Manual

The intent of this manual is to help you in two ways. One is to follow step-by-step in the order of assembly of your product. The other way is for easy reference if you have questions in a particular area.

Important ! Read **ALL** instructions carefully before starting construction.

Important ! Pay particular attention to all **SAFETY** information.

- *Metric measurements are shown in millimeters and in brackets, unless otherwise specified. “ ” equals inches and “ ’ ” equals feet in English measurements.*

Examples:

1" [25.4]

4' [1 219]

- Optional equipment contains necessary instructions for assembly or operation.
- Major changes from the last printing will be listed on the back cover.
- This Planning Symbol is used in areas where planning needs to take place before construction continues.
- Very small numbers near an illustration (*i.e.*, 1257-48) are identification of the graphic, not a part number.



Safety Information

Caution, Warning and Danger Decals have been placed on the equipment to warn of potentially dangerous situations. Care should be taken to keep this information intact and easy to read at all times. Replace missing or damaged safety decals immediately.

Using the equipment for purposes other than specified in this manual may cause personal injury and/or damage to the equipment.



Safety–Alert Symbol

This is a safety–alert symbol. When you see this symbol on your equipment, be alert to the potential for personal injury. This equipment is designed to be installed and operated as safely as possible...however, hazards do exist.

Understanding Signal Words

Signal words are used in conjunction with the safety–alert symbol to identify the severity of the warning.



DANGER indicates an imminently hazardous situation which, if not avoided, **WILL** result in death or serious injury.



WARNING indicates a potentially hazardous situation which, if not avoided, **COULD** result in death or serious injury.



CAUTION indicates a hazardous situation which, if not avoided, **MAY** result in minor or moderate injury.

Safety Information

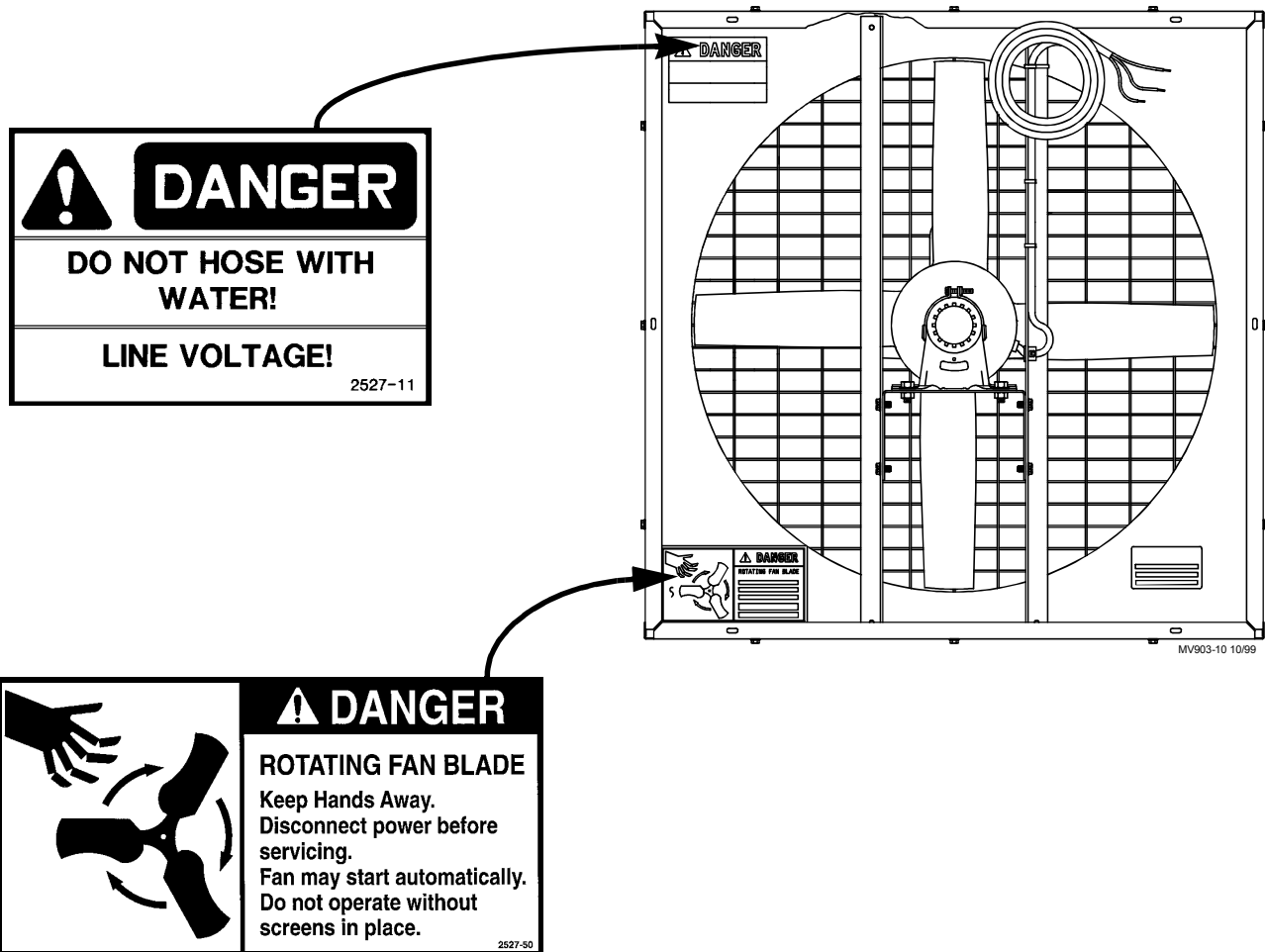
Follow Safety Instructions

Carefully read all safety messages in this manual and on your equipment safety signs. Follow recommended precautions and safe operating practices.

Keep safety signs in good condition. Replace missing or damaged safety signs.

Decal Descriptions

This diagram shows the proper location of the safety decals as shipped from the factory. Replace damaged or missing decals. Make sure the decals are easy to see at all times.



Technical Information

Motor Specifications:		
	Horsepower	1/3 HP
	Voltage	230 V
	Hz.	60 Hz.
	Phase	Single Phs.
	R.P.M.	1075 R.P.M.
Blade:		
	Size	24" (610 mm)
	Type	Cast Aluminum
Fan Assembly:		
	Weight (galvanized steel crate)	58 lbs. (26.3 kg)
	Weight (wood crate)	62 lbs. (28.1 kg)

Important ! **Chore-Time Equipment strongly recommends that a good alarm system should be installed in confinement buildings to warn of power failure and high temperature.**

Chore-Time Equipment also recommends that an alternate power source be available for confinement buildings in case of power failure.

Fan Installation

The installation information is the same for 24" Crated Fan and the 24" Galvanized Crated Fan, unless otherwise noted.

The Fan can be mounted in either of two ways:

1. Fan unit mounted in the building side wall, with or without the optional Shutter mounted on the outside.
2. Fan unit suspended from the ceiling.

Side Wall Installations:

Build wall framing as suggested by the Fan and Framing dimensions, see **Figure 1**. The required wall opening for each fan is included in the chart below.

Note: The 24" Fan Crates are square.

Dimension	Crated Fan	Galvanized Crated Fan
A	29" (736 mm)	28-1/8" (714 mm)

The Fans are shipped completely assembled and need only to be fastened to the wall framing with lag screws (not supplied).

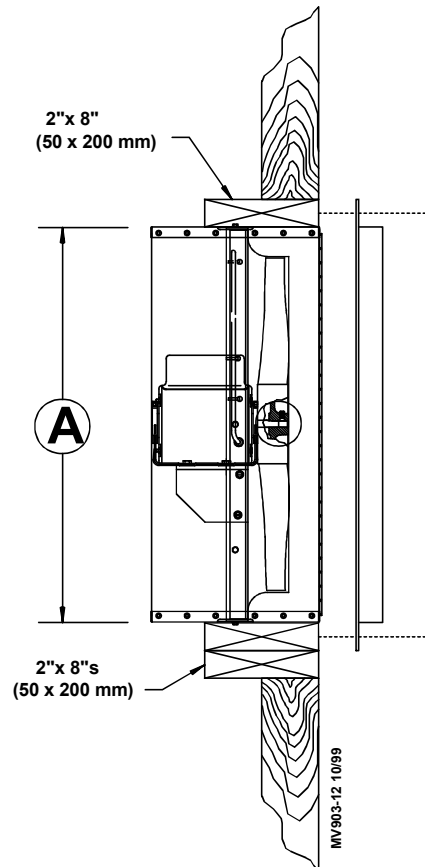


Figure 1. Side wall installation (side view)

Ceiling Mount Installations:

Drill (2) 3/8" (10 mm) holes into the top of the fan assembly, as shown in **Figure 2**. Holes provided in the Fan Shroud should be used to determine hole locations in the Fan Crate.

A Suspension Kit may be ordered separately, which includes 20' (6 m) of chain, (2) eye bolts, (4) nuts, (4) flat washers, (2) lock washers, (2) screw hooks, and (4) "S" Hooks. Assemble the Suspension Kit components as shown in **Figure 2**.

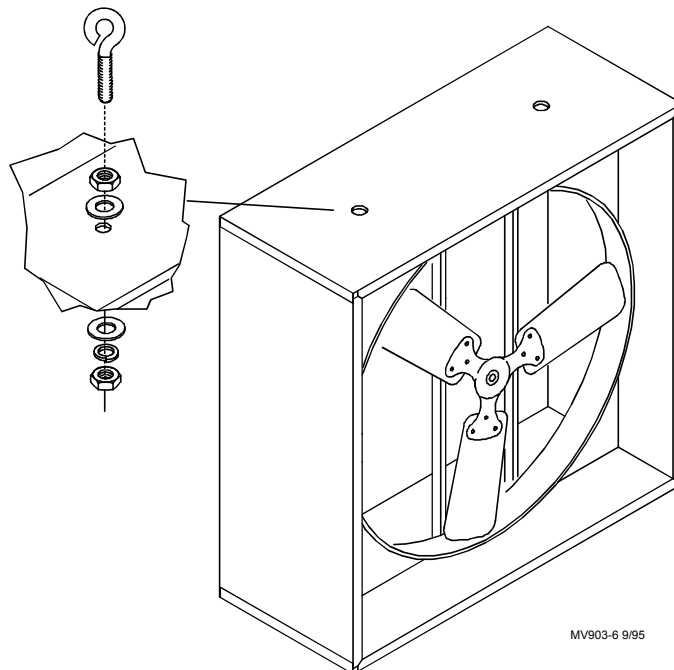


Figure 2. Ceiling installation (side view)

Wire Screen Installation

Secure the Wire Screen to the back of the Fan using the Wire Ties or Staples, supplied.

Note: If the optional Shutter is to be installed, remove the wire screen on the Shutter side of the fan.

Wiring

Wire the motor to fan controls according to the instructions packed with the fan controls.

IMPORTANT: Drill an exit hole through the crate as required for the electrical cord. Route the cord through a conduit locknut (not supplied) or bushing (not supplied) to avoid cord damage.

Maintenance

Service and maintenance of fans should be done only by a qualified technician.

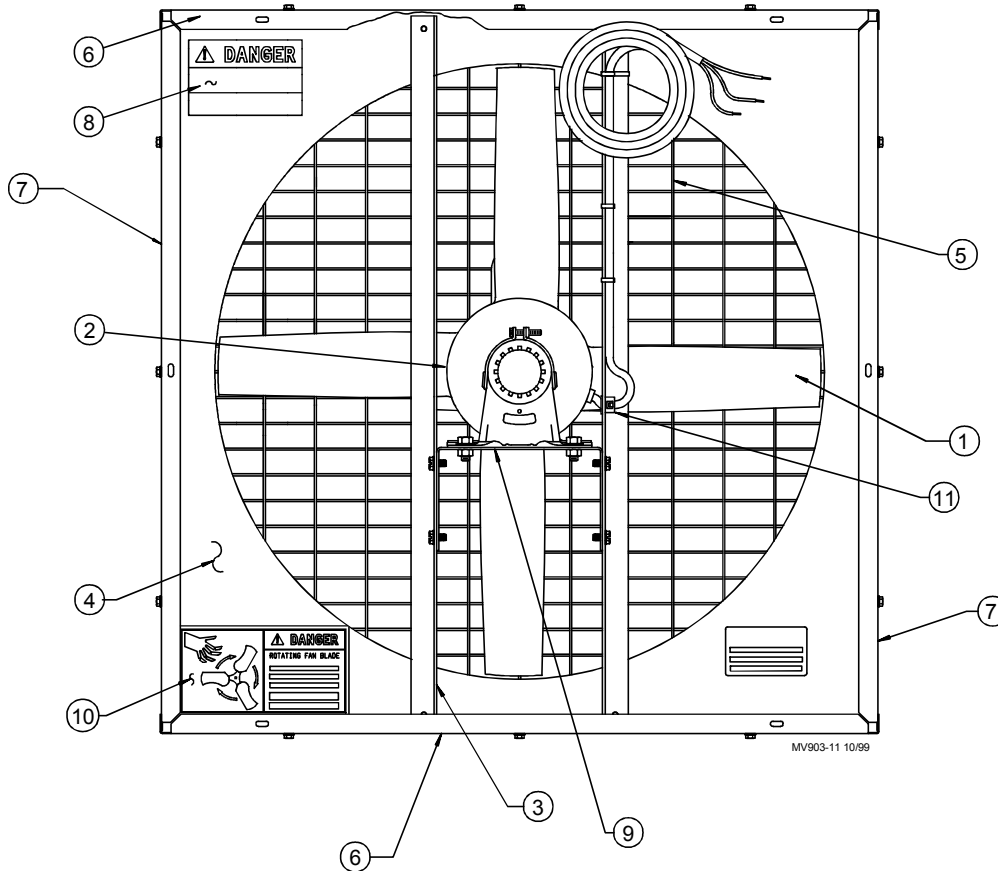
DISCONNECT POWER PRIOR TO MAINTAINING OR CLEANING THE FAN!
The fan may start automatically causing serious injury or death.

Keep the fan clean for maximum life and best performance.

Do not spray motor with water or cleaning fluids; Remove dirt with a dry brush.

Parts List

24" Wood Crated Fan PN 14843 24" Galvanized Crated Fan PN 27495



Item	Description	14843* Part No.	27495* Part No.
1	Fan Blade	4146	4146
2	1/3 H.P. Motor	3005	3005
3	Post	27825	27825
4	24" Shroud	5544	5544
5	Wire Screen	6023-27	6023-21
6	Top and Bottom Panel	- - - -	27328
7	Side Panel	- - - -	27368
8	Danger Decal	2527-11	2527-11
9	Post Bracket	27826	27826
10	Danger Decal	2527-50	2527-50
11	Snap Bushing	28479	28479
--**	Suspension Kit	13123	13123
--**	Shutter	24119	24119

*NOTE: 27495 Galvanized Crated Fan Assembly is shown. 14843 (wood) Crated Fan Assembly is similar except that the shroud is enclosed by a plywood crated instead of galvanized steel.

**The Suspension Kit and Shutter are optional and must be ordered separately.

**This Page
Currently
Not in Use**



**Made to work.
Built to last.**

Revisions to this Manual

Page No.	Description of Change
	This revision was reverted back to revision A only with minor changes.

Contact your nearby Chore-Time distributor or representative for additional parts and information.

**CTB Inc.
P.O. Box 2000 • Milford, Indiana 46542-2000 • U.S.A.
Phone (219) 658-4101 • Fax (800) 333-4191
E-Mail: ctb@ctbinc.com • Internet: <http://www.ctbinc.com>**

Printed in the U.S.A.