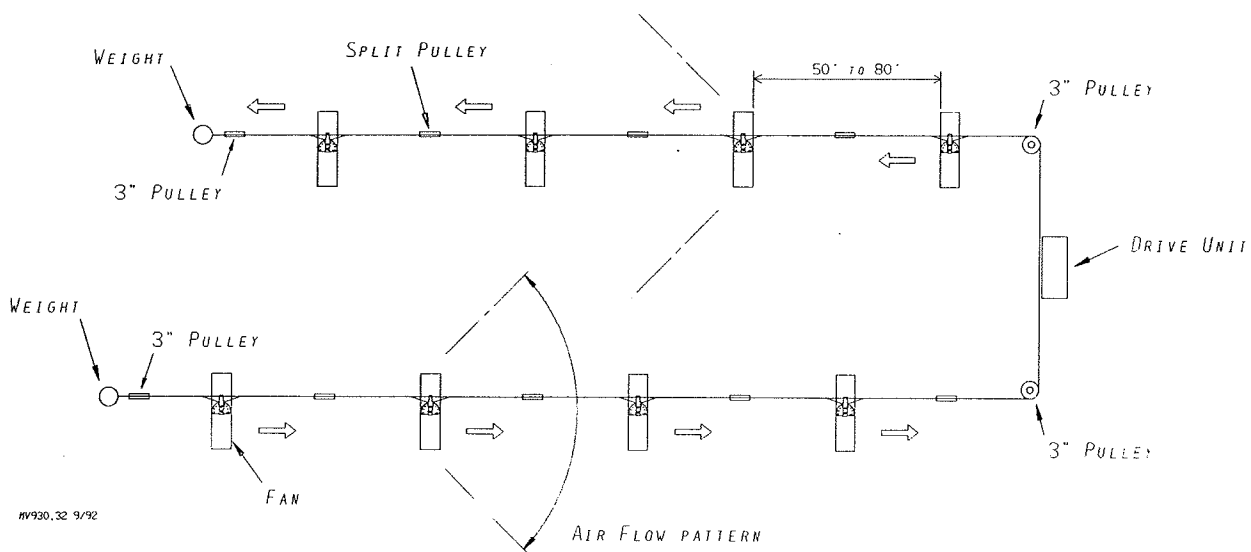
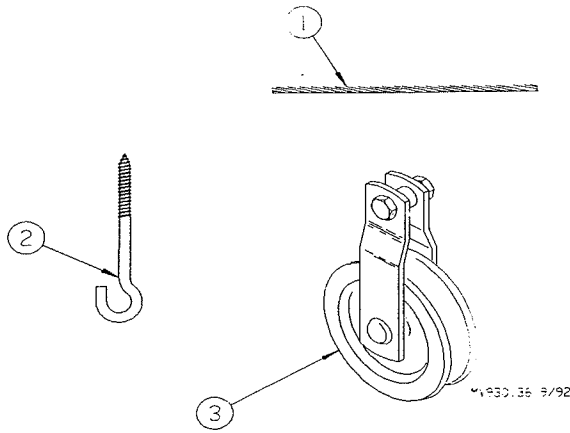


CHORE-TIME

36" Fan Oscillator System Installation Instruction

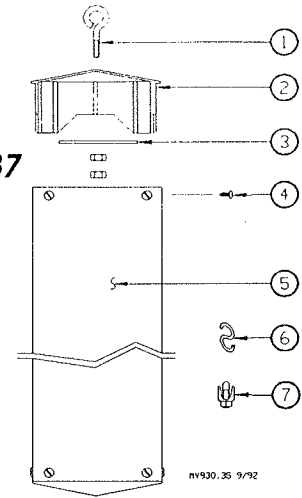


Miscellaneous Components



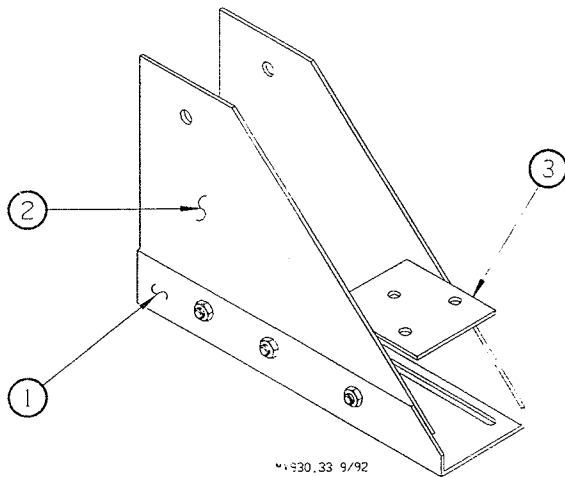
<u>Item</u>	<u>Description</u>	<u>Part No.</u>
1	Cable (1/8" 7 x 7)	27975
2	ATF Open Screw Hook	2041
3	Pulley Assembly (3")	2500

Weight Kit Part Number: 29437



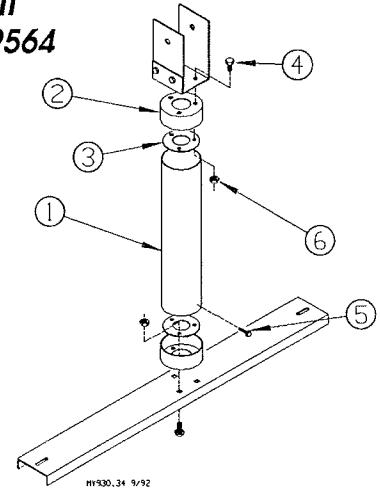
<u>Item</u>	<u>Description</u>	<u>Part No.</u>
1	Closed Eye Bolt	1503-3
2	Square Cap	72109-1
3	Support Plate	29439
4	Self-Tapping Screw	3037
5	Square Tubing (PVC)	29438
6	S Hook	2805
7	1/8 Cable Clamp	14898

Tilt Kit Assembly Part Number: 29413



<u>Item</u>	<u>Description</u>	<u>Part No.</u>
1	Tilt Bracket	29415
2	Side Tilt Bracket	29416
3	Tilt Bracket Support	28846

Extension Kit Part Number: 29564



<u>Item</u>	<u>Description</u>	<u>Part No.</u>
1	Tube	14946
2	Extension Cap	6141
3	2.5" Washer	14942
4	1/4-20 x 5/8" Fastener	2152
5	Self-Tapping Screw	3037
6	1/4-20 Nut	751

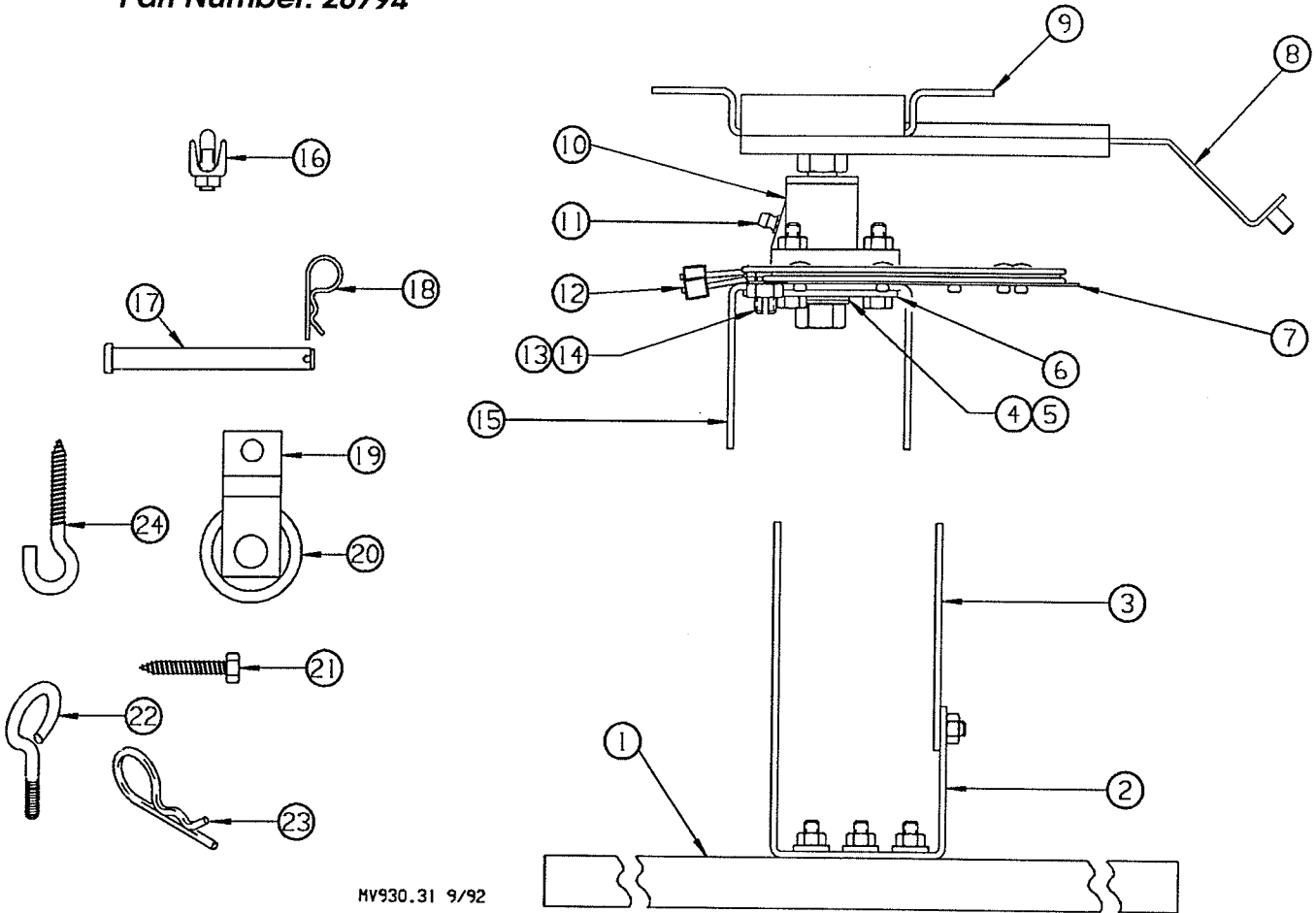
Contact your nearby Chore-Time distributor or representative for additional parts and information.
Chore-Time Equipment, A Division of CTB, Inc.
P.O. Box 2000, Milford, Indiana 46542-2000 U.S.A.

CHORE-TIME

Printed in the U.S.A.

Swivel Kit

Part Number: 28794

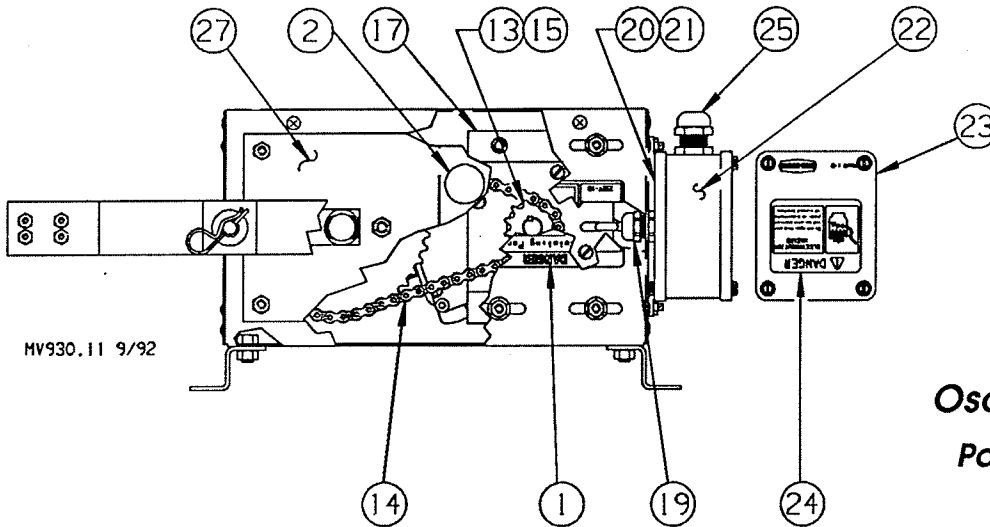
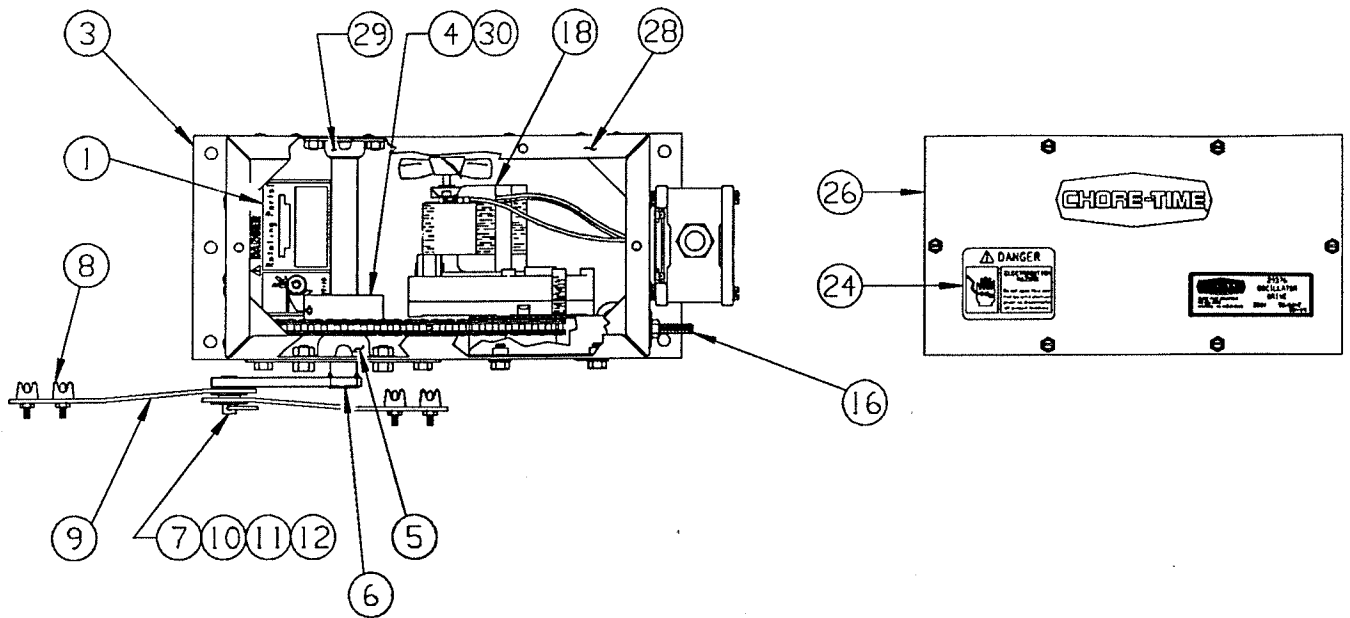


MV930.31 9/92

<u>Item</u>	<u>Description</u>	<u>Part No.</u>	<u>Item</u>	<u>Description</u>	<u>Part No.</u>
1	Oscillator Fan Top Brace	28768	15	Upper Pivot Bracket	28762
2	Lower Pivot Bracket	28764	16	1/8" Cable Clamp	14898
3	Lower Bracket Side Bracket	28763	17	Clevis Pin 3-1/2"	29213-1
4	1/2" Washer	2955-46	18	Hair Pin	2664
5	1/2" Nylon Washer	2955-45	19*	Pulley Bracket (L.H.)	29323
6	Pivot Support Bracket	28755		Pulley Bracket (R.H.)	29322
7	Cam Assembly	29327	20*	Nylon Sheave	2452
8	Cable Support Arm	28718	21	5/16 x 2" Lag Screw	2050
9	Top Bracket	28754	22	Closed Eye Bolt 5/16-18	1503-3
10**	Bearing	29316	23	Hair Pin 3/16"	3164
11**	Grease Fitting	6021	24	Open Eye Screw Hook	1214
12	Cable Assembly	28759			
13	3/5-16 x 5/8" Slotted Screw	6342			
14	3/8-16 Hex Nut	1549			

*These components may be ordered as an assembly under part number 29324.

**These components may be ordered as an assembly under part number 28756



MV930.11 9/92

Oscillator Drive Unit
Part Number: 29376

<u>Item</u>	<u>Description</u>	<u>Part No.</u>	<u>Item</u>	<u>Description</u>	<u>Part No.</u>
1	Rotating Parts Decal	2527-10	16	1/4" J-Bolt	7220
2	Hole Plug	23791	17	Motor Mount Bracket	29388
3	Mounting Brace	29377	18	Gear Motor--230 V, 50/60 Hz.	29389
4	Sprocket (3540)	29378	19	Liquid Tight Connector	13477
5	3/4" Bore Bearing	8984	20	Box Base	29374
6	Crank Weldment (Plated)	29379	21	Gasket	6777
7	3/8" Flange Bearing	2967-10	22	Box (Machined)	14195
8	1/8" Cable Clamp	14898	23	Box Cover	6776
9	Cable Clamp Arm	29384	24	Danger Decal (Electrical)	2527-25
10	1/2" Nylon Washer	2955-45	25	1/2" Liquid Tight Connector	23779
11	3/8" Washer	4967	26	Cover	29391
12	Hair Pin	2664	27	Access Plate	29358
13	1/8" Sq. Key	13598-1	28	Housing	29359
14	#35 Chain	29386	29	5/8" Bore Bearing	6984
15	Sprocket (3512)	29387	30	3/16 x 3/8 Woodruff Key	28079

Extension Kit—Optional Equipment

The Extension Kit is available for use in installations with very high ceilings. Using the Extension Kit will lower the fan approximately 36" (1 m).

Note: Use of the optional Tilt Kit is not recommended when using the Extension Kit.

Installation: See Figure 13

1. Remove the Lower Pivot Bracket from the Oscillator Fan Top Brace. Save the hardware.

2. Bolt an Extension Cap to the Oscillator Fan Top Brace, using the existing carriage bolts and nuts.

Be sure to install the 2-1/2" washer in the Extension Cap, as shown.

3. Insert the Extension Cap & Washer in the Tube.

Use (5) self-tapping screws to secure the Extension Cap to the Tube.

4. Bolt an Extension Cap to the Lower Pivot Bracket, using the hardware supplied in the hardware kit.

Be sure to install the 2-1/2" washer in the Extension Cap, as shown.

5. Insert the Extension Cap & Washer in the Tube.

Use (5) self-tapping screws to secure the Extension Cap to the Tube.

5. Install the Eye Bolts and (upper) 5/16" flat washers.

The Eye Bolts should extend far enough, above the fan, to install the hair pins when the Oscillator Fan Top Brace is in place.

6. Install 5/16" flat washer and (2) 5/16-18 hex nuts on each eye bolt.

7. Secure the Lower Pivot Bracket (and attached components) to the Upper Pivot Bracket on the Swivel Kit, using the 3-1/2" Clevis Pin and hair Pin.

8. With the help of an assistant, lift the fan up to the Oscillator Fan Top Brace and extend the Eye Bolts through the slot.

9. Install the Hair Pins.

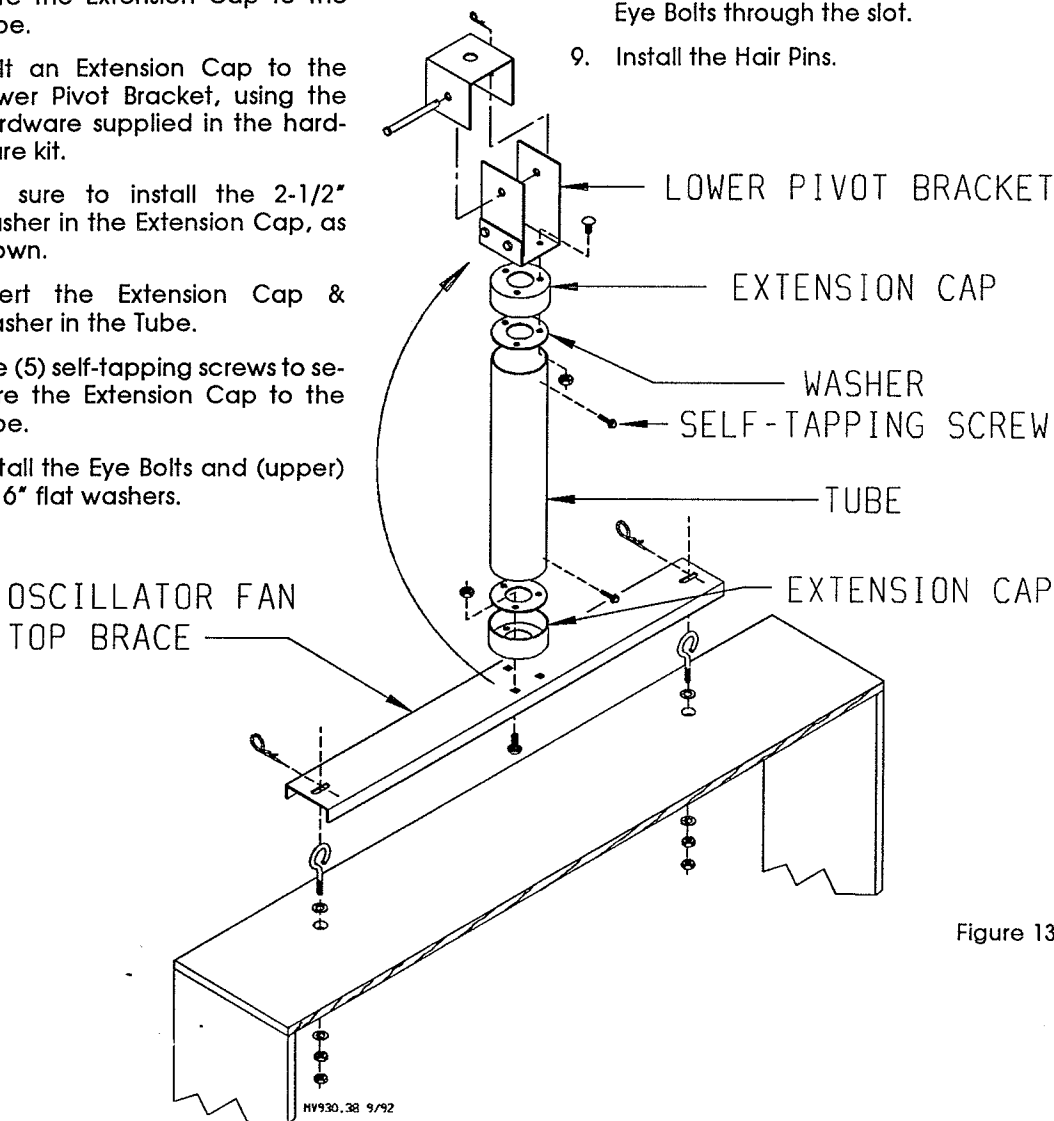


Figure 13.

Tilt Kit--Optional Equipment

When running, the fans will tilt back slightly due to the force of the air flow. The Tilt Kit is used to more accurately control the vertical direction of air flow.

Notice how the direction and location of the Tilt Kit changes the vertical direction of air flow. Determine desired direction of air flow, prior to installation of Swivel Kit.

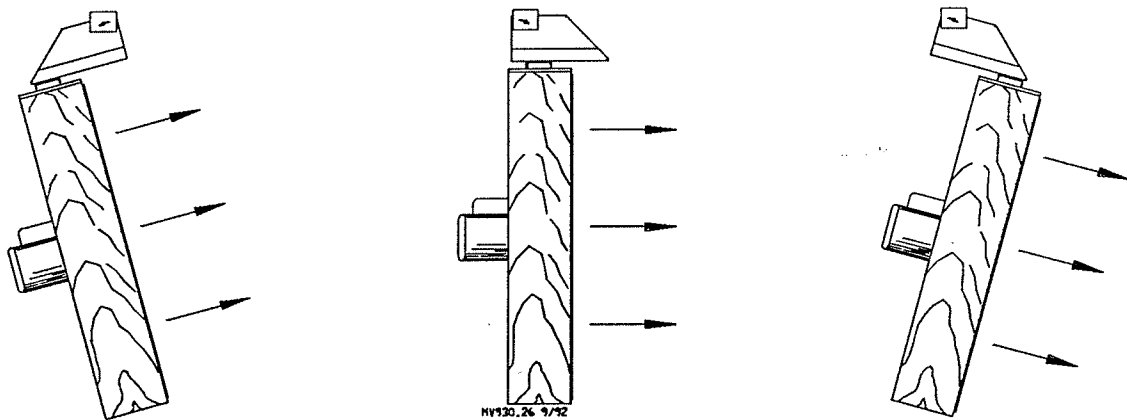


Figure 11.

Installation: See Figure 12.

1. The Lower Pivot Bracket must be removed from the Oscillator Fan Top Brace. Save the hardware.
2. Install the Tilt Bracket Support in the Tilt Bracket.
3. Insert the carriage bolts from the Oscillator Fan Top Brace up through the Tilt Bracket and Tilt Bracket Support holes.
4. Use existing nuts to secure the Tilt Kit components to the Oscillator Fan Top Brace.

Adjust location of Tilt Kit, as required, to achieve desired direction of air flow. See Figure 11.

5. Install the Eye Bolts and (upper) 5/16" flat washers.

The Eye Bolts should extend far enough, above the fan, to install the hair pins when the Oscillator Fan Top Brace is in place.

6. Install 5/16" flat washer and (2) 5/16-18 hex nuts on each eye bolt.
7. Lift the Tilt Kit/Oscillator Fan top Brace to the Upper Pivot Bracket (on the Swivel Kit) and install the 3.5" Clevis Pin and Hair Pin.
8. With the help of an assistant, lift the fan up to the Oscillator Fan Top Brace and extend the Eye Bolts through the slot.

9. Install the Hair Pins.

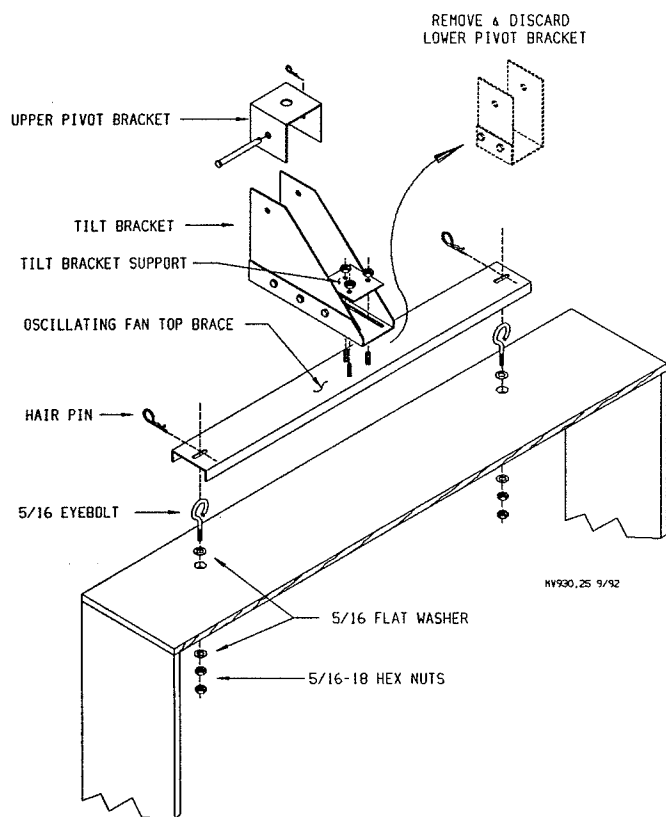


Figure 12.

3. Attach the black, coated cables from the cam to the 1/8" cable, using the cable clamps supplied in the hardware package. See Figure 9.

Note: Make sure the black, coated cables "cross" each other, as shown in Figure 9.

Note: The flat side of the cam must run parallel with the cable, as shown in Figure 9.

4. Route the 1/8" cable through the 2" split pulley, supplied in hardware package.

Secure the Pulley to the Extension Arm, as shown in Figure 9, using the 1/4-20 locknut.

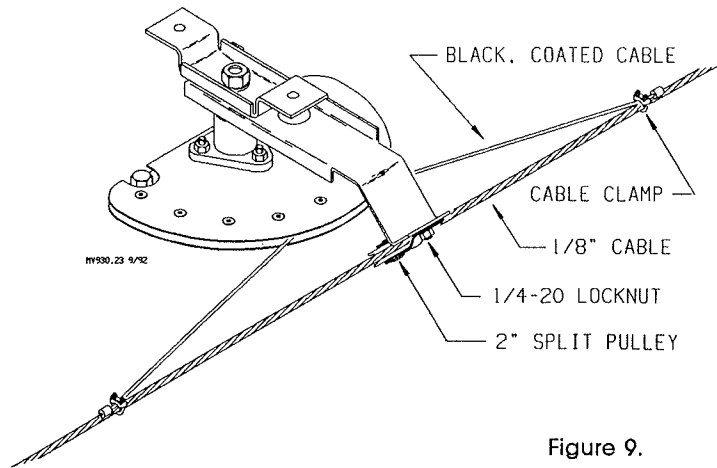


Figure 9.

Fan Components Assembly & Installation:

Assembly the fan components as shown in Figure 10.

1. Install the Eye Bolts and (upper) 5/16" flat washers.

The Eye Bolts should extend far enough, above the fan, to install the hair pins when the Oscillator Fan Top Brace is in place.

2. Install 5/16" flat washer and (2) 5/16-18 hex nuts on each eye bolt.
3. Lift the Oscillator Fan Top Brace to the Upper Pivot Bracket (on the Swivel Kit) and install the 3.5" Clevis Pin and Hair Pin.
4. With the help of an assistant, lift the fan up to the Oscillator Fan Top Brace and extend the Eye Bolts through the slot.
5. Install the Hair Pins.

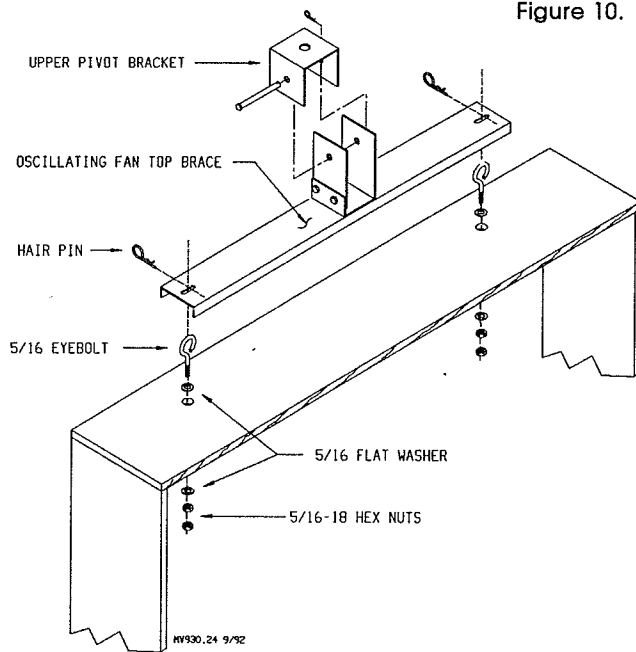


Figure 10.

Maintenance

Drive Unit: Oil chain regularly.

Check chain tension--tension should be .10 to .20 inch deflection at mid-span.

Swivel Kit: Grease bearing regularly.

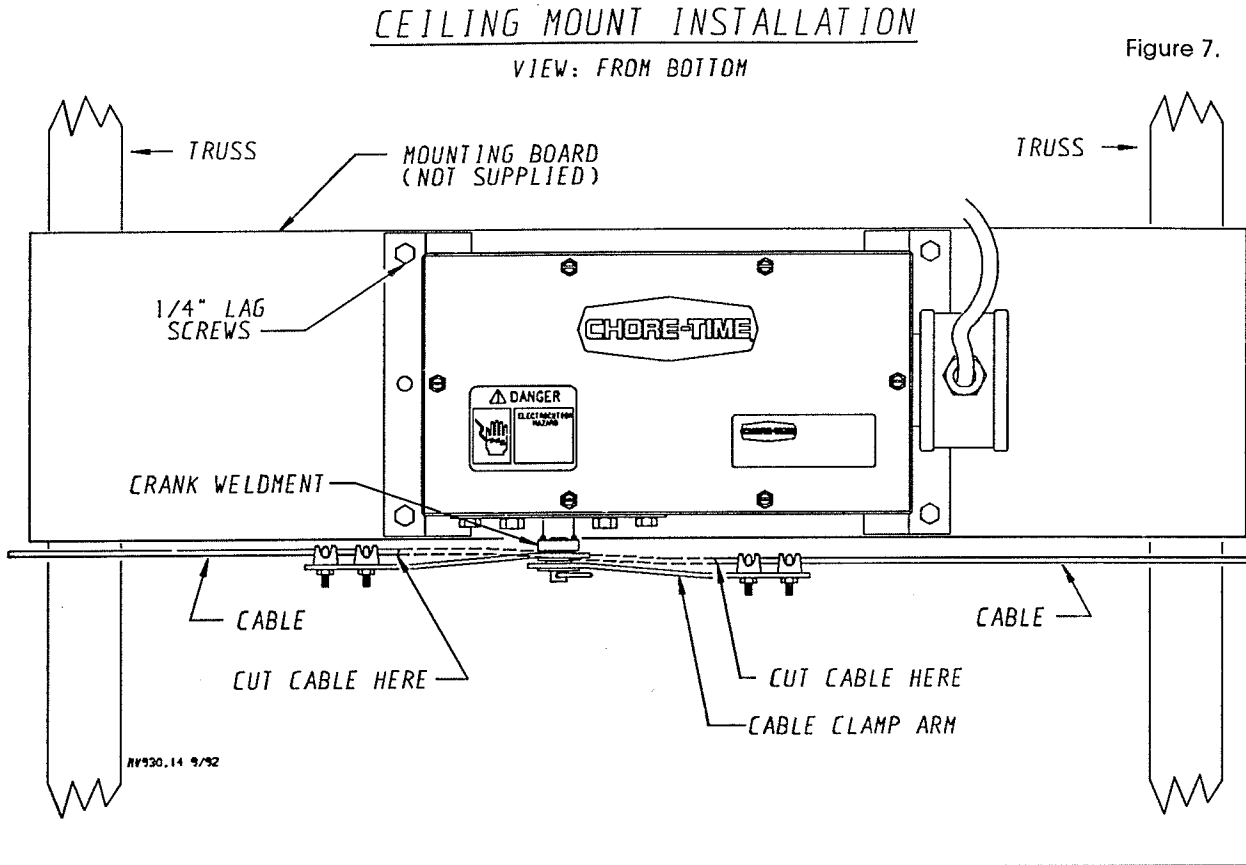
Pulleys & Cable: Make sure cable is traveling freely, with no obstructions.

Oil cable where it pass through 3" pulleys.

- The Crank Weldment must be in the vertical position, as shown in Figure 7, before securing the cable to the Cable Clamp Arms. It may be necessary to apply power to the system to bring the Crank Weldment into the vertical position.
- Position the Cable Clamp Arms so that they are parallel with the cable.

Secure the cable to the Cable Clamp Arms, as shown in Figure 7.

Make sure the cable clamps are tight before cutting the cable between the Cable Clamp Arms. See Figure 7.



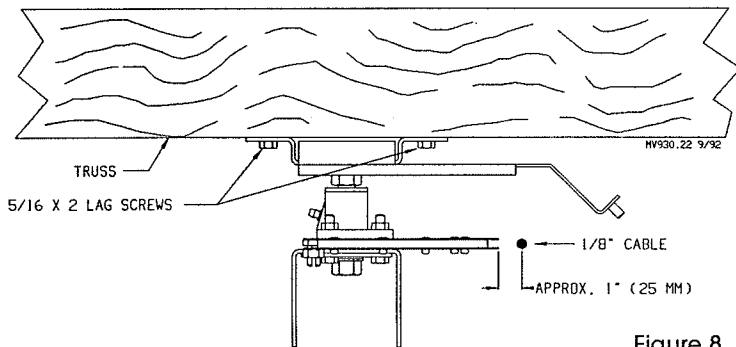
Swivel Kit Installation:

The Swivel Kit is shipped adjusted to center the sweep of air in-line with cable travel.

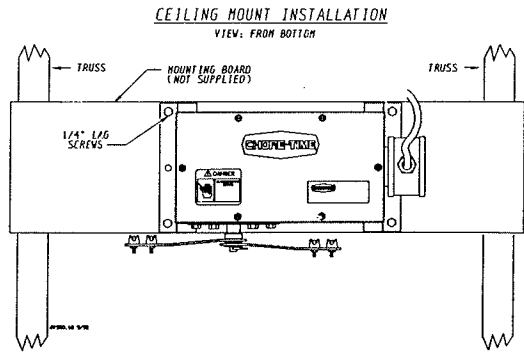
The Swivel Kits should all be installed on the same side of the cable. Note cable-to-cam relationship shown in Figures 3, on page 4.

- Position the Swivel Kit so that the round portion of the cam is approximately 1" (25 mm) from the 1/8" cable. See Figure 8.
- Secure the Swivel Kit to the truss using the 5/16 x 2" lag screws, supplied in the hardware kit. See Figure 8.

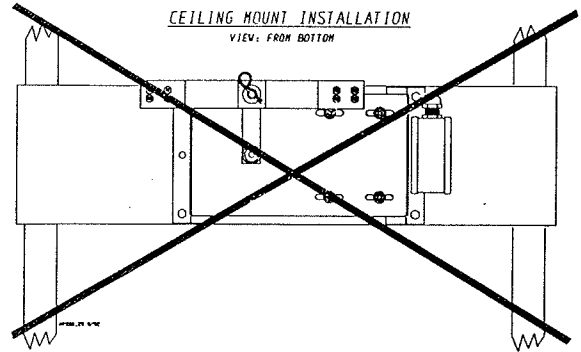
The Swivel Kit must be mounted on a level surface.



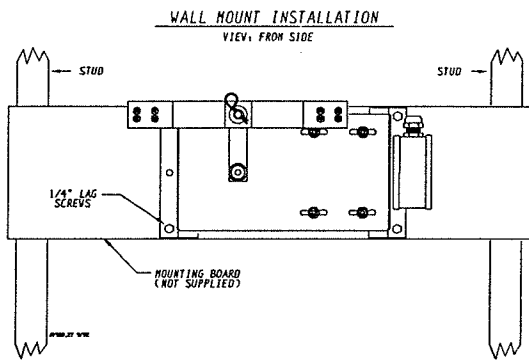
Proper Ceiling Mount Installation



Improper Ceiling Mount Installation



Proper Wall Mount Installation



Improper Wall Mount Installation

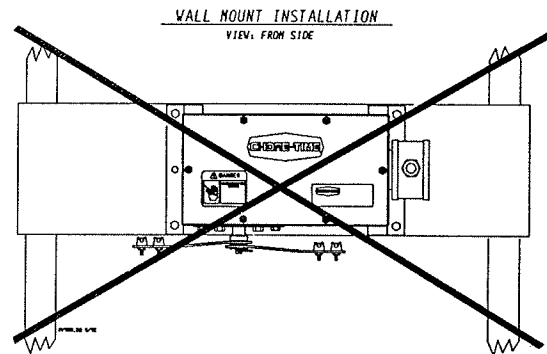
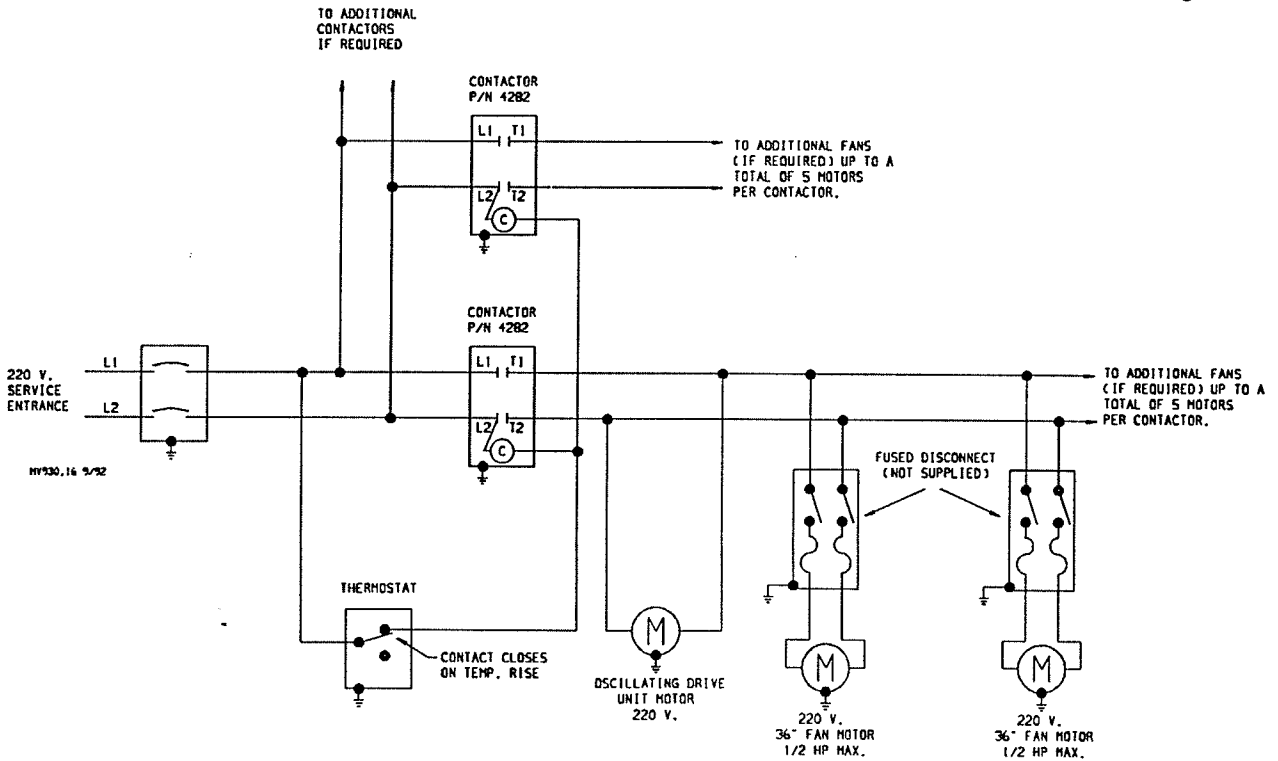


Figure 5.

Figure 6.



Installing the Oscillator System

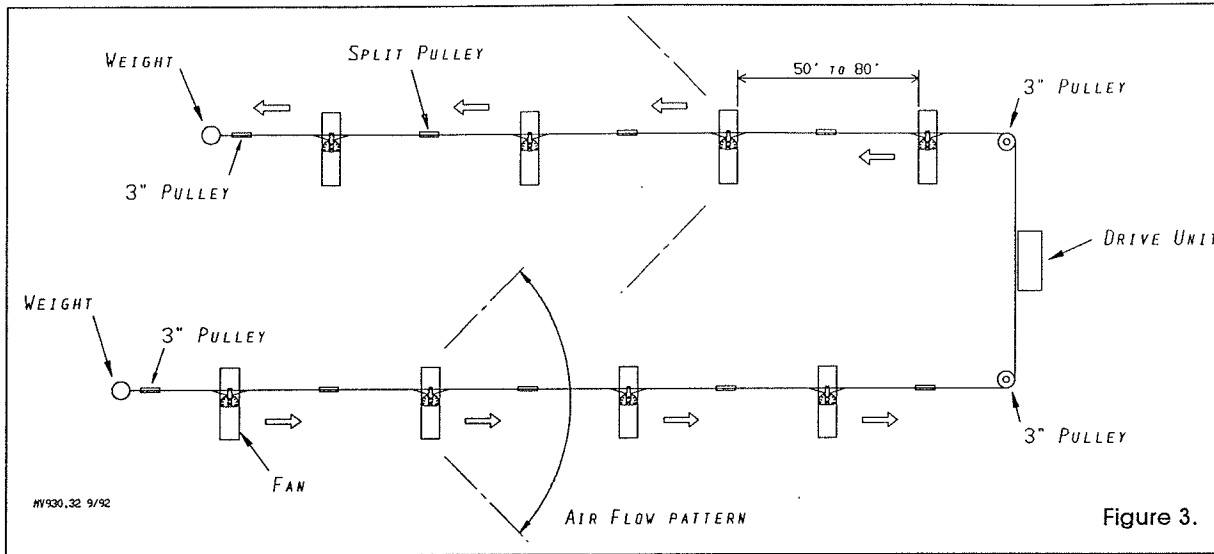


Figure 3.

Figure 3 shows critical information such as pulley, Drive Unit, and weight locations. Additionally, direction of air flow, fan spacing, and Cam positioning are also shown. Refer to this figure as necessary during the installation.

Cable Installation:

1. Install a 3" pulley at each end of the system.

Also, install a 3" pulley at each corner, as shown in Figure 3.

2. Install the 2" cable support pulleys along the entire length of the system. The cable support pulleys should be installed between each fan, as shown in Figure 3.

3. Route the cable the full length of the system and through the 3" pulleys at each end.

4. Assemble the Weight Kits, as shown in Figure 4.

The formula for determining the required weight is; 25 lbs. plus 5 lbs. for each fan between the Drive Unit and the weight.

Sand or gravel (not supplied) may be used in Weight Kit.

4. Hang a weight at each end of the line to keep tension on the cable. Cable clamps are provided to secure the Weight Assembly to the 1/8" cable.

The weights should hang approximately 18" (450 mm) below the end pulleys, to allow for travel.

Drive Unit Installation:

The Mounting Braces (or mounting feet) may be relocated to allow the Drive Unit to be mounted to the ceiling or wall.

Figure 5 shows properly and improperly mounted Drive Units.

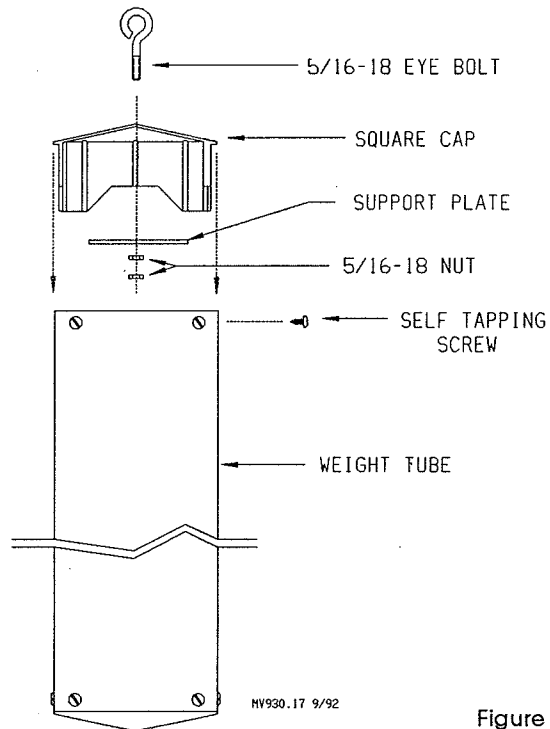


Figure 4.

Important: The Cable Clamp Arms **MUST** move in the vertical plane.

Lag screws (1/4") are supplied for securing the Drive Unit to the mounting boards on the ceiling or wall. See Figure 5.

Wire the Drive Unit, as shown in the wiring diagram. See Figure 6.

Planning the Oscillator System Installation

The Chore-Tim Fan Oscillator is used to rotate a series of fans to improve air circulation, cooling effect, and increase the area of air movement.

The system employs a Drive Unit and cable system to rotate the fans back and forth (oscillate) in the house. This allows air to be directed to all parts of the house. All the fans are connected to one Drive Unit and oscillate at the same time. However, each fan may be angled differently to direct the air flow for the most desirable coverage.

Each Drive Unit is capable of oscillating up to ten fans. The Drive Unit must be located in the center of the row of fans.

The Drive Unit may be mounted to the ceiling or wall, by changing the location of the Mounting Braces. Note: When the Drive Unit is installed, the Cable Clamp Arms must move in the vertical plane.

The Weight Kit contains the necessary components (except filler material) to make two counter weights--used to keep tension on the cable.

Crated fans, mounted from the ceiling, are used to circulate air. Separate instructions are included with the fans, relating to their assembly and installation.

Take time before beginning the installation to plan where the fans are to be located to provide optimum air coverage.

Figures 1 & 2 show approved system layouts. Notice the locations of the Drive Unit, Weights, and direction of air flow.

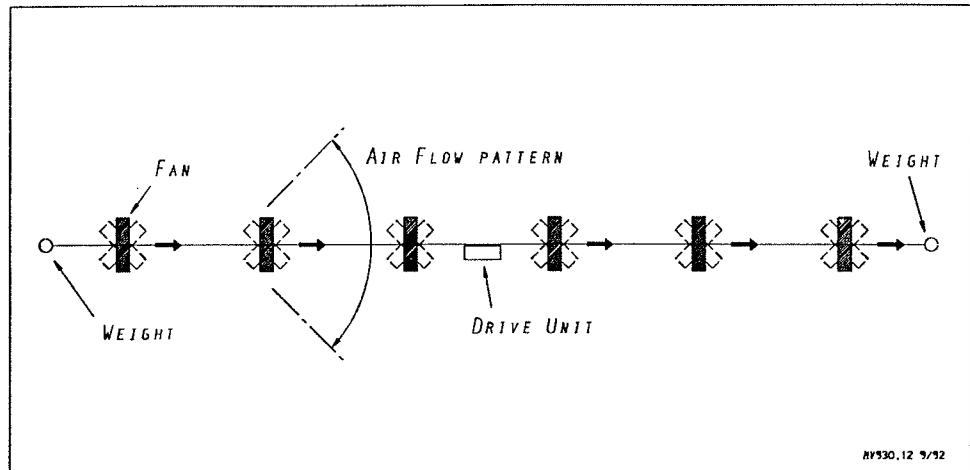


Figure 1.

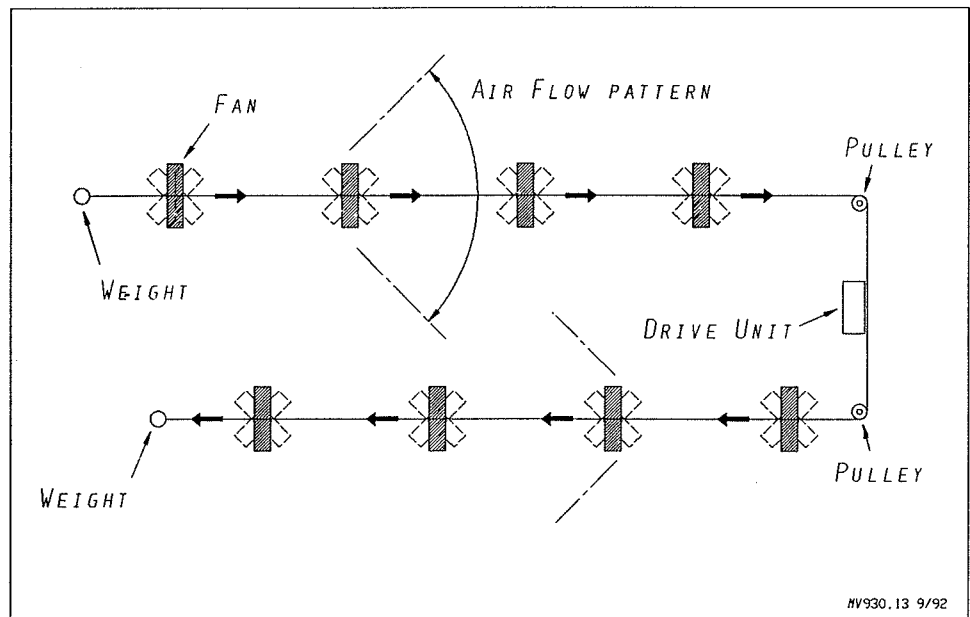
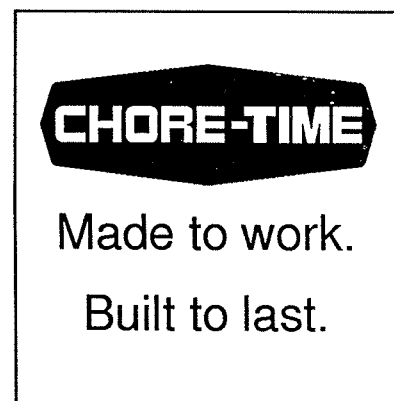


Figure 2.

Optional equipment is also available for the Oscillating Fan System.

The Tilt Kit Assembly (P/N 29413) is used to adjust the direction of air flow in a vertical direction. Special instructions are provided on page 10, for the Tilt Kit Assembly installation.

The Swivel Kit Extension may be required in installations with high ceilings. Special instructions are provided on page 11, for the Swivel Kit Extension installation.



WARRANTY INFORMATION

Chore-Time Equipment warrants each new product manufactured by it to be free from defects in material or workmanship for one year from the date of initial installation by the original purchaser. If such a defect is found by Chore-Time to exist within the one year period, Chore-Time will, at its option, (a) repair or replace such product free of charge, F.O.B. the factory of manufacture, or (b) refund to the original purchaser the original purchase price, in lieu of such repair or replacement.

Additional extended warranties are herewith provided to the original purchaser as follows:

1. RLX Fans, less motors, for three years from date of installation.
- *2. Poultry feeder pans that become unusable within five years from date of installation. Warranty prorated after three years usage.
3. MEAL-TIME® Hog Feeder pans that become unusable within five years of installation.
4. Rotating centerless augers, excluding applications involving High Moisture Corn (exceeding 18%), for ten years from date of installation. Note: MULTIFLO® and applications involving High Moisture Corn are subject to a one year warranty.
5. Chore-Time manufactured roll-formed steel auger tubes for ten years from date of installation.
- *6. Laying cages that become unusable within ten years. Warranty prorated after three years usage.
- *7. ULTRAFLO® Auger and ULTRAFLO® Feed Trough (except ULTRAFLO® Trough Liners) are warranted for a period of five (5) years from date of original purchase against repeated breakage of the auger or wear-through of the feed trough.

Conditions and limitations:

1. The product must be installed and operated in accordance with instructions published by Chore-Time or warranty will be void.
2. Warranty is void if all components of a system are not supplied by Chore-Time.
3. This product must be purchased from and installed by an authorized Chore-Time dealer or certified representative thereof, or the warranty will be void.
4. Malfunctions or failure resulting from misuse, abuse, negligence, alteration, accident, or lack of proper maintenance shall not be considered defects under this warranty.
5. This warranty applies only to systems for the care of poultry and livestock. Other applications in industry or commerce are not covered by this warranty.

Chore-Time shall not be liable for any consequential or special damage which any purchaser may suffer or claim to have suffered as a result of any defect in the product. "Consequential" or "special damages" as used herein include, but are not limited to, lost or damaged products or goods, costs of transportation, lost sales, lost orders, lost income, increased overhead, labor and incidental costs and operational inefficiencies.

THIS WARRANTY CONSTITUTES CHORE-TIME'S ENTIRE AND SOLE WARRANTY AND CHORE-TIME EXPRESSLY DISCLAIMS ANY AND ALL OTHER WARRANTIES, INCLUDING, BUT NOT LIMITED TO, EXPRESS AND IMPLIED WARRANTIES AS TO MERCHANTABILITY, FITNESS FOR PARTICULAR PURPOSE SOLD AND DESCRIPTION OR QUALITY OF THE PRODUCT FURNISHED HEREUNDER.

Any exceptions to this warranty must be authorized in writing by an officer of the company. Chore-Time reserves the right to change models and specifications at any time without notice or obligation to improve previous models.

*See separate "WARRANTY ADDITION" as to these products

CHORE-TIME EQUIPMENT, A Division of CTB, Inc.
P.O. Box 2000, Milford, Indiana 46542-2000 U.S.A.