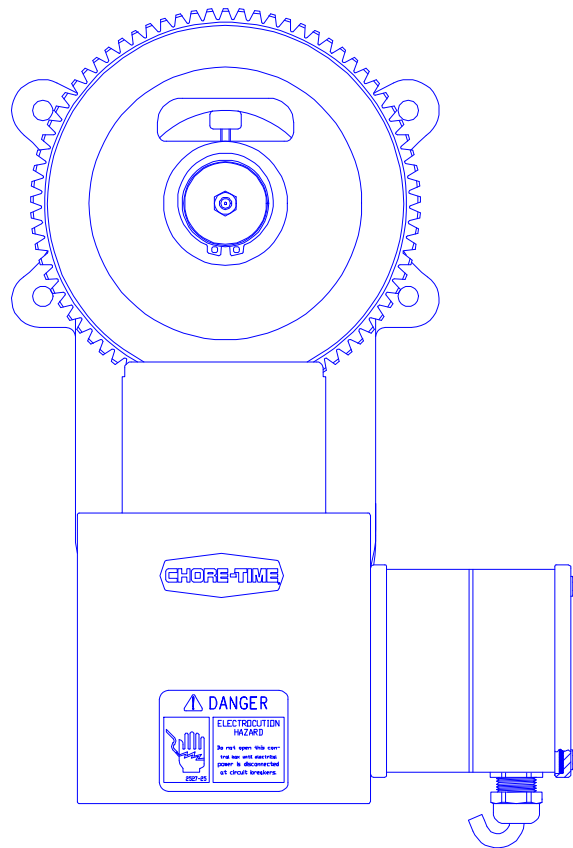


Maxidrive Power Unit

Installation & Operator's Instruction Manual



MV991-2 1/96

Chore-Time Warranty

Chore-Time Equipment warrants each new product manufactured by it to be free from defects in material or workmanship for one year from the date of initial installation by the original purchaser. If such a defect is found by Chore-Time to exist within the one year period, Chore-Time will, at its option, (a) repair or replace such product free of charge, F.O.B. the factory of manufacture, or (b) refund to the original purchaser the original purchase price, in lieu of such repair or replacement.

Additional extended warranties are herewith provided to the original purchaser as follows:

- *1. **TURBO™ Fans.**
- *2. **Poultry feeder pans** that become unusable within five years from date of installation. Warranty prorated after three years usage.
3. **MEAL-TIME® Hog Feeder pans** that become unusable within five years of installation.
4. **Rotating centerless augers**, excluding applications involving High Moisture Corn (exceeding 18%), for ten years from date of installation. Note: MULTIFLO® and applications involving High Moisture Corn are subject to a one year warranty.
5. **Chore-Time manufactured roll-formed steel auger tubes** for ten years from date of installation.
- *6. **Laying cages** that become unusable within ten years. Warranty prorated after three years usage.
- *7. **ULTRAFLO® Auger and ULTRAFLO® Feed Trough (except ULTRAFLO® Trough Liners)** are warranted for a period of five (5) years from date of original purchase against repeated breakage of the auger or wear-through of the feed trough caused solely by the auger.

Conditions and limitations:

1. The product must be installed and operated in accordance with instructions published by Chore-Time or warranty will be void.
2. Warranty is void if all components of a system are not supplied by Chore-Time.
3. This product must be purchased from and installed by an authorized Chore-Time dealer or certified representative thereof, or the warranty will be void.
4. Malfunctions or failure resulting from misuse, abuse, negligence, alteration, accident, or lack of proper maintenance shall not be considered defects under this warranty.
5. This warranty applies only to systems for the care of poultry and livestock. Other applications in industry or commerce are not covered by this warranty.

Chore-Time shall not be liable for any **Consequential** or **Special Damage** which any purchaser may suffer or claim to have suffered as a result of any defect in the product. **“Consequential”** or **“Special Damages”** *as used herein include, but are not limited to, lost or damaged products or goods, costs of transportation, lost sales, lost orders, lost income, increased overhead, labor and incidental costs and operational inefficiencies.*

THIS WARRANTY CONSTITUTES CHORE-TIME'S ENTIRE AND SOLE WARRANTY AND CHORE-TIME EXPRESSLY DISCLAIMS ANY AND ALL OTHER WARRANTIES, INCLUDING, BUT NOT LIMITED TO, EXPRESS AND IMPLIED WARRANTIES AS TO MERCHANTABILITY, FITNESS FOR PARTICULAR PURPOSE SOLD AND DESCRIPTION OR QUALITY OF THE PRODUCT FURNISHED HEREUNDER.

Any exceptions to this warranty must be authorized in writing by an officer of the company. Chore-Time reserves the right to change models and specifications at any time without notice or obligation to improve previous models.

*See separate Chore-Time Warranty as to these products.

CHORE-TIME EQUIPMENT, A Division of CTB, Inc.
P.O. Box 2000
Milford, Indiana 46542-2000 U.S.A.

Table of Contents

Topic	Page	User*
Chore-Time Warranty	2	C, D
Distributor and Installer Information	4	C, D
Support Information	4	C, D
Safety Information	5	C, D
Introduction.	6	C, D, I
Maxidrive Installation	6	I
Wiring Diagram for Maxidrive Power Unit using Static Pressure Inlet Control.	8	I
Maxidrive Power Unit Parts	9	C, D
Winch Assembly Parts	10	C, D
Miscellaneous Components Parts	11	C, D

***Legend: C = Customer (end user), D = Distributor (sales), I - Installer of equipment**

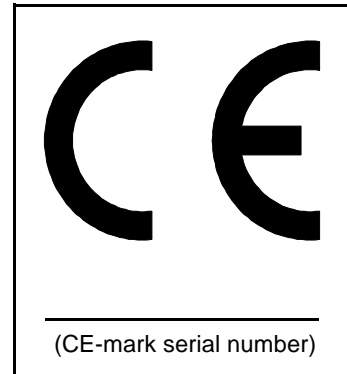
Support Information

The **Chore-Time Maxidrive Power Unit** is designed to operate approximately 100 inlets in a cable loop system. Using this equipment for any other purpose or in a way not within the operating recommendations specified in this manual will void the warranty and may cause personal injury.

This manual is designed to provide comprehensive planning, installation, operation, and parts listing information. The Table of Contents provides a convenient overview of the information in this manual. The Table of Contents also specifies which pages contain information for the sales personnel, installer, and consumer (end user).

IMPORTANT: CE stands for certified Europe. It is a standard which equipment must meet or exceed in order to be sold in Europe. **CE** provides a benchmark for safety and manufacturing issues. **CE is required only on equipment sold in Europe.**

Chore-Time Equipment recognizes CE Mark and pursues compliance in all applicable products. *Fill in the CE-Mark serial number in the blank space provided for future reference.*



Distributor and Installer Information

Please fill in the following information about your Product.
Keep this manual in a clean, dry place for future reference.

Distributor's Name _____

Distributor's Address _____

Distributor's Phone _____ **Date of Purchase** _____

Installer's Name _____

Installer's Address _____

Installer's Phone _____ **Date of Installation** _____

System Specifications _____

Safety Information

Caution, Warning and Danger Decals have been placed on the equipment to warn of potentially dangerous situations. Care should be taken to keep this information intact and easy to read at all times. Replace missing or damaged safety signs.

Using the equipment for purposes other than specified in this manual may cause personal injury and or damage to the equipment.

Safety–Alert Symbol

This is a safety–alert symbol. When you see this symbol on your equipment, be alert to the potential for personal injury. This equipment is designed to be installed and operated as safely as possible...however, hazards do exist.



Signal Words

Signal words are used in conjunction with the safety–alert symbol to identify the severity of the warning.

DANGERindicates an imminently hazardous situation which, if not avoided, **WILL** result in death or serious injury.

WARNINGindicates a potentially hazardous situation which, if not avoided, **COULD** result in death or serious injury.

CAUTIONindicates a hazardous situation which, if not avoided, **MAY** result in minor or moderate injury.



DANGER



WARNING



CAUTION

DANGER: ELECTRICAL HAZARD

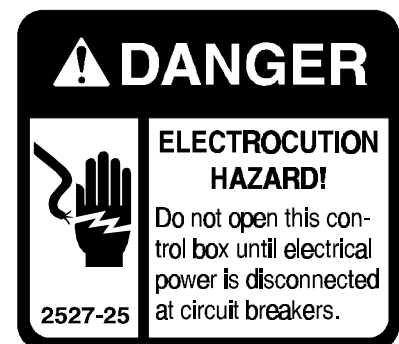
Disconnect electrical power before inspecting or servicing equipment unless maintenance instructions specifically state otherwise.

Ground all electrical equipment for safety.

All electrical wiring must be done by a qualified electrician in accordance with local and national electric codes.

Ground all non-current carrying metal parts to guard against electrical shock.

With the exception of motor overload protection, electrical disconnects and over current protection are not supplied with the equipment.



Introduction

Important:

The Maxidrive Power Unit is designed to operate approximately 100 inlets in a cable loop system. It is **NOT** recommended that the Maxidrive Power Unit be used in applications where **GRAVITY** is required to operate curtains, baffles or inlets doors. For these type of systems please use **Chore-Time Light Duty or Heavy Duty Winches** available from your local Chore-Time Distributor.

Maxidrive Installation

1. Locate the power unit and end pulley as shown in **Figure 1**.

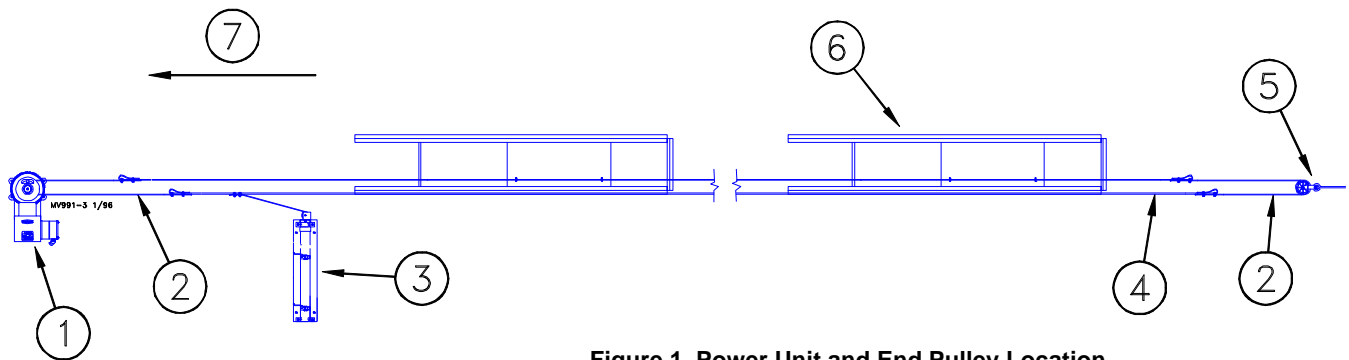


Figure 1. Power Unit and End Pulley Location

Key	Description
1	Maxidrive Power Unit
2	Cable
3	Limit Switch #29820-2
4	Wire
5	Pulley #2617
6	Inlet door
7	Door Opens in This Direction.

2. Lag the base of the power unit and the pulley Angle Bracket with lag bolts to two 2 x 4's that span at least four ceiling joists or wall studs. **See Figure 2**. Install the eye bolt on the pulley through the angle bracket.

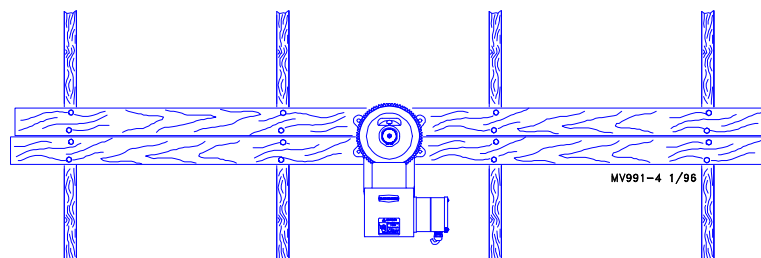


Figure 2. Power Unit Mounted on Ceiling Joists or 2x4's

3. Wrap four turns of a 20 foot length of cable to the drum on the power unit as shown in **Figure 3**.

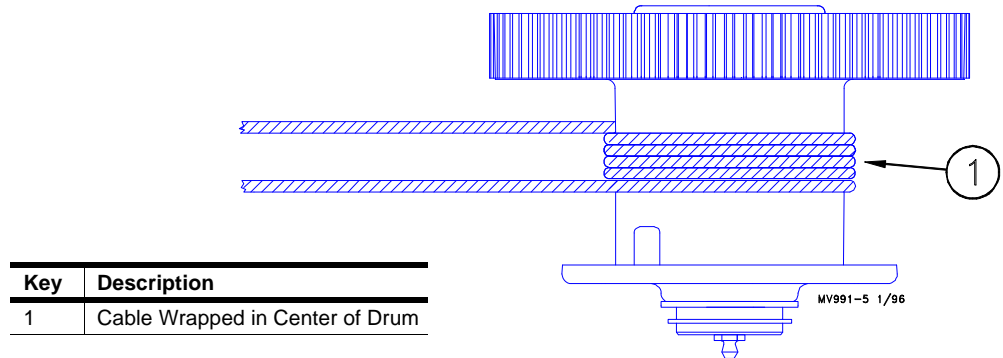


Figure 3. Cable Wrapped Around Drum

5. Run the wire and cable as shown in **Figure 1**. Leave enough cable to prevent the cable clamps from hitting the end pulley when the inlet doors are opened or closed.
5. Fasten the wire to the cable attached to the drum on the top side of the Maxidrive.
6. On the bottom side of the circuit attach a come-a-long to the wire and the Maxidrive base. Stretch the wire until it is tight and fasten to the cable attached to the drum on the Maxidrive. See **Figure 4**. The wire should be tight enough so there are no sags.

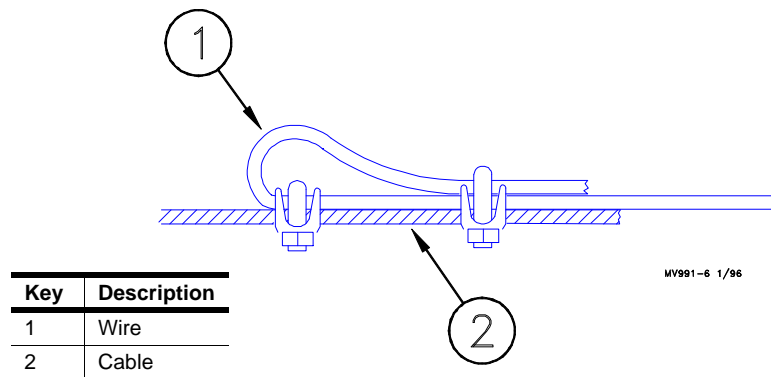


Figure 4. Cable/Wire Installation

7. Refer to the Limit Switch Assembly instruction for proper installation procedure.
8. The required wiring diagram for connecting the MAXIDRIVE to the Static Pressure Inlet Control is provided on page 8. See **Figure 5**.

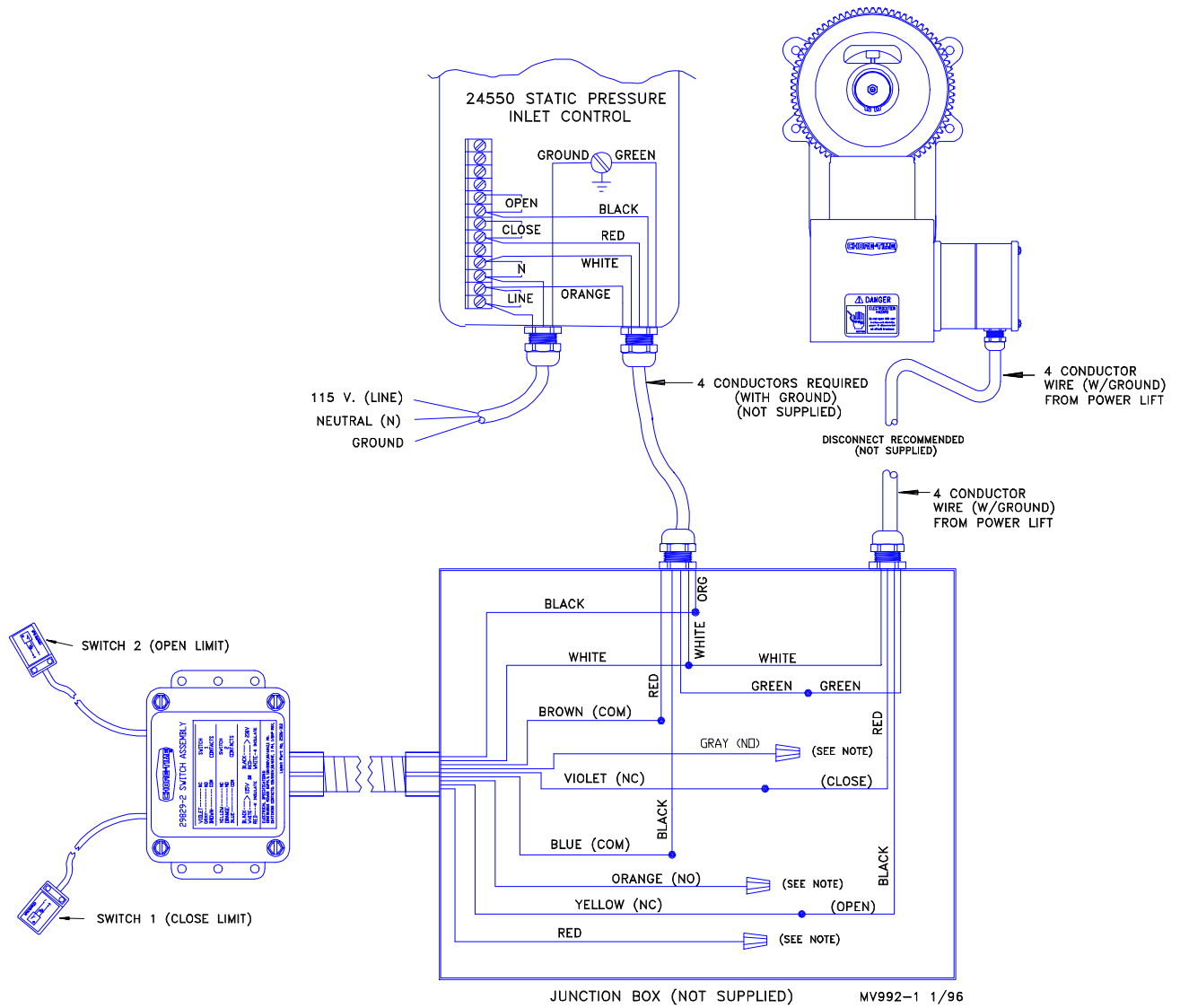
CAUTION:



Be careful when handling the coiled wire. WEAR EYE PROTECTION. The wire has a "memory". If unconstrained, it will try to recoil itself causing the end to fly about dangerously.

Thread the wire through the inlet doors on top side of the circuit and through an eye screw below every door on the bottom side of the circuit. This will contain the wire if the wire should break. Cut the wire to approximate length before installation to make handling easier.

Wiring Diagram for Maxidrive Power Unit using Static Pressure Inlet Control



NOTE: GRAY, ORANGE, AND RED CONDUCTORS FROM THE SWITCH ASSEMBLY MUST BE CAPPED WITH WIRE NUTS.

Figure 5. Wiring Diagram for Maxidrive Power Unit/Static Pressure Control

Maxidrive Power Unit Parts

Part No. #34742

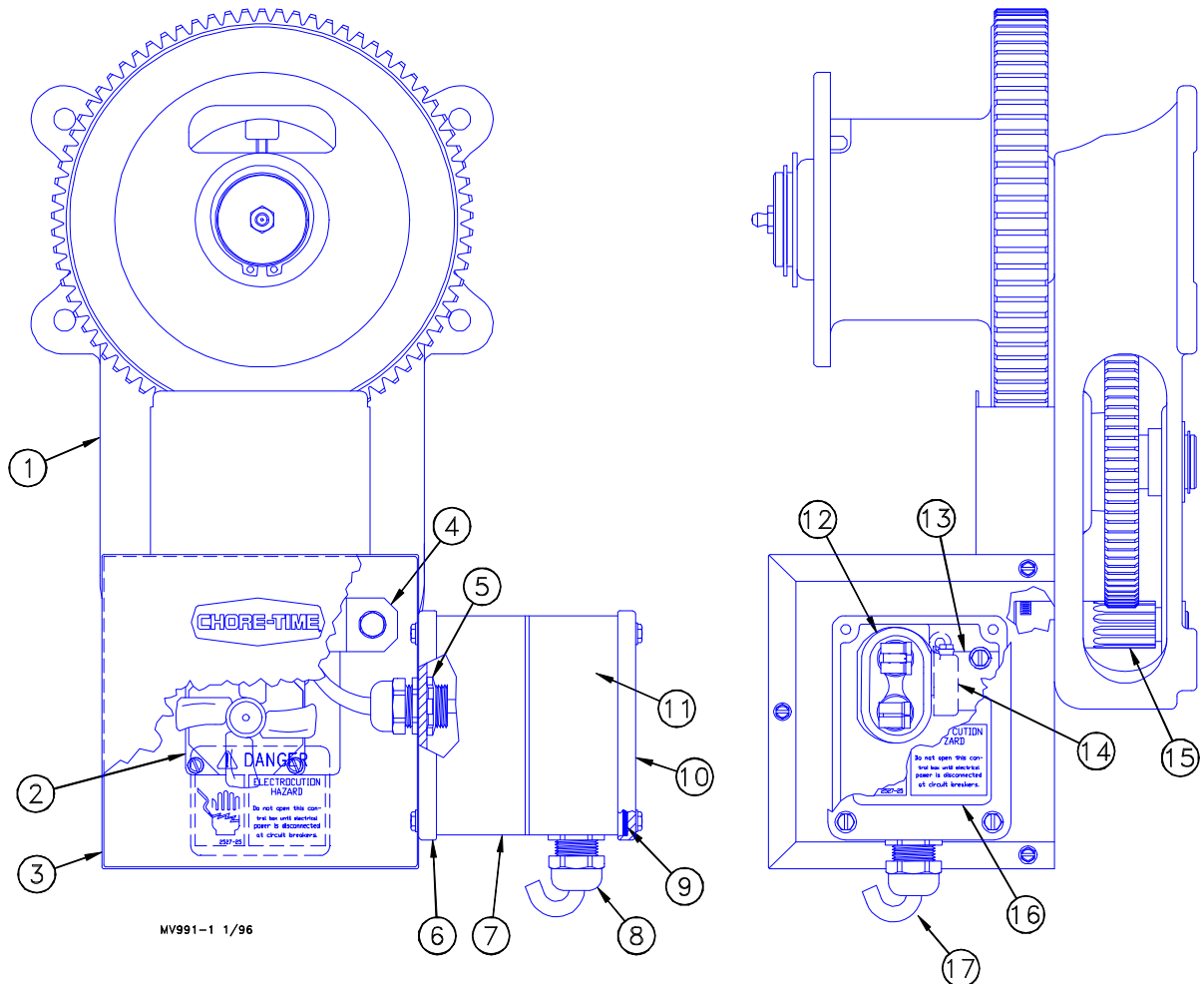
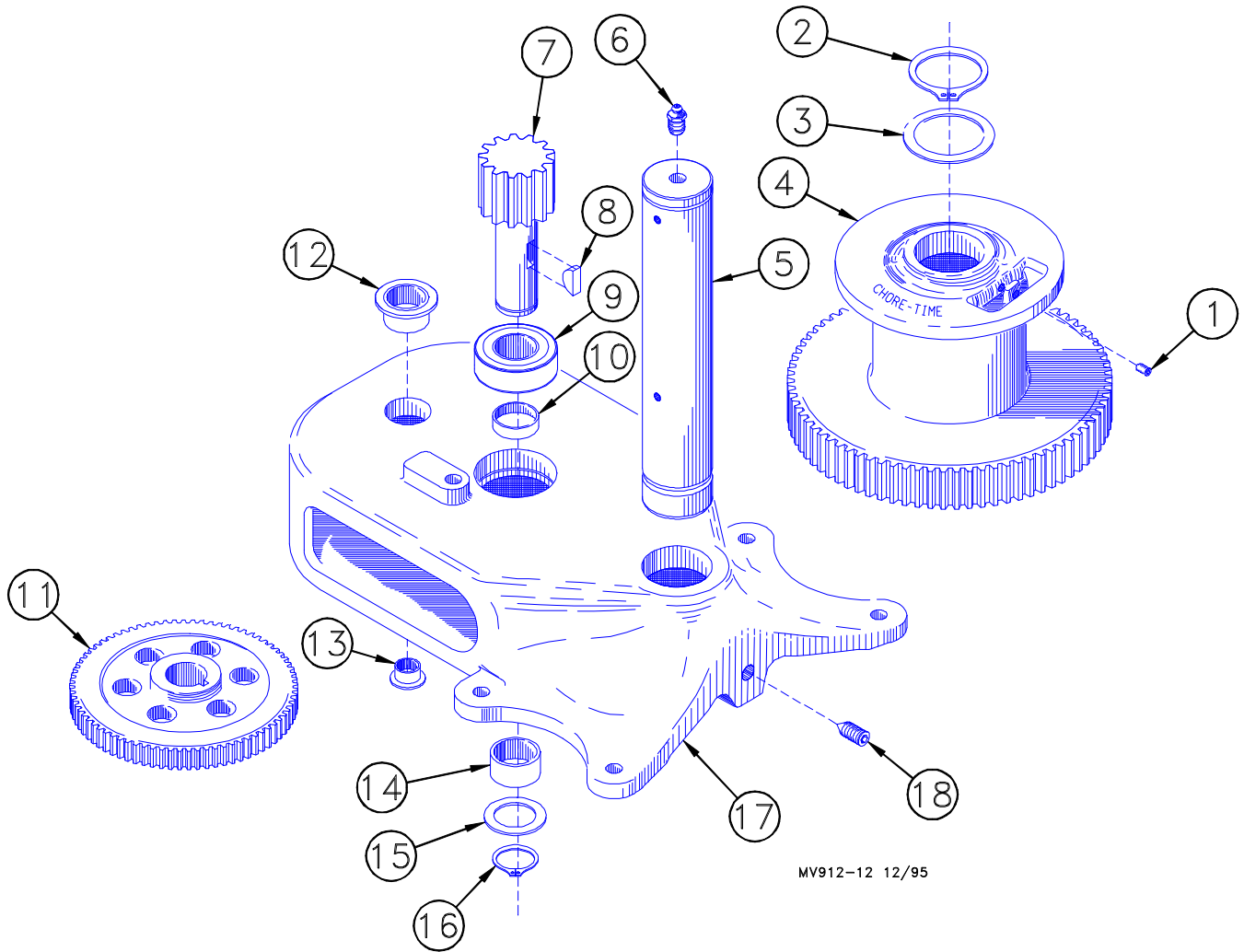


Figure 6. Maxidrive Power Unit

Item	Description	Part No.
1	Winch Assembly (see separate parts list)	25143
2	Motor	7254
3	Motor Cover	34924
4	Motor Bracket	34920
5	1/2" Conduit Locknut	3357
6	Switch Box Cover	36633
7	Terminal Box	36649
8	Water Tight Connector	23779
9	Terminal Box Gasket	6777
10	Switch Box Cover	6776
11	Terminal Box	27024
12	Capacitor	7879
13	Capacitor Bracket	7249
14	1-7/8" Adjustable Clamp	3527
15	Input Shaft	24090
16	Danger Electrical Decal	2527-25
17	Cord	4999-51

Winch Assembly Parts

Part No. 25143



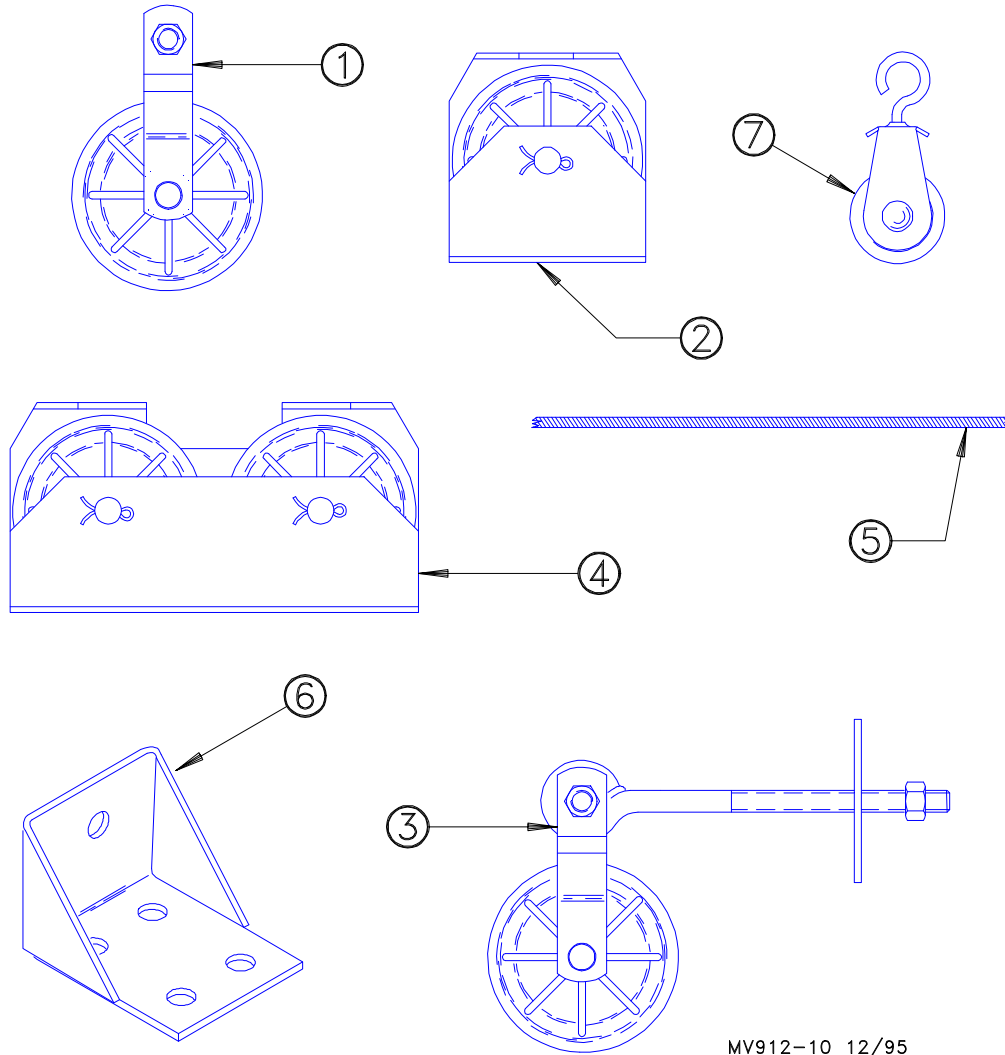
MV912-12 12/95

Figure 7. Winch Assembly Parts

Item	Description	Part No.
1	1/4-20x1/4 Set Screw	603
2	Retaining Ring	3556
3	1-3/4" Flat Washer	2955-2
4	Winch Drum	3723
5	Drum Shaft	3637
6	Grease Fitting	24499
7	Drive Pinion	2962
8	Woodruff Key	2959
9	Ball Bearing	4937

Item	Description	Part No.
10	Spacer	4936
11	Intermediate Gear (mach)	2890
12	Bronze Bearing	2967-2
13	Bronze Bearing	3252
14	Bronze Bearing	2967-4
15	Flat Washer	2955-1
16	Retaining Ring	2958-1
17	Winch Frame	24283
18	Set Screw	3727

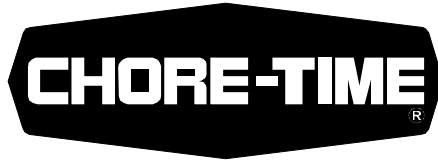
Miscellaneous Components Parts



MV912-10 12/95

Figure 11. Miscellaneous Components Parts

Item	Description	Part No.
1	Pulley Assembly	2500
2	Pulley Assembly	27301
3	Master Pulley	2617
4	Center Pulley Assembly	27302
5	3/16" Cable (150')	13976
6	Mounting Plate	24495
7	Pulley Assembly	3004



**Made to work.
Built to last.™**

Revisions to this Manual

Page No.	Description of Change
8	Maxidrive wiring diagram included.
9	Maxidrive drawing and parts assembly updated.

Contact your nearby Chore-Time distributor or representative for additional parts and information.

**CTB, Inc.
P.O. Box 2000
Milford, Indiana 46542-2000 U.S.A.
Phone: 219-658-4101 • E-Mail: ctb@ctbinc.com**

Printed in the U.S.A.